

OPERATION AND INSTRUCTION MANUAL

Strut Channel Anchor

Model: A410400



WARNING: ALL USERS OF THIS EQUIPMENT MUST READ AND UNDERSTAND ALL INSTRUCTIONS. FAILURE TO DO SO MAY RESULT IN SERIOUS INJURY OR DEATH. USERS SHOULD BE FAMILIAR WITH PERTINENT REGULATIONS GOVERNING THIS EQUIPMENT. ALL USERS OF THIS PRODUCT MUST BE PROPERLY INSTRUCTED ON HOW TO USE THE DEVICE. AVOID CONTACT WITH PHYSICAL HAZARDS (THERMAL, CHEMICAL, ELECTRICAL, ETC.). MAKE ONLY COMPATIBLE CONNECTIONS.

Read This Instruction Manual Carefully Before Using This Equipment.

User Instructions must always be available to the user and are not to be removed except by the user of this equipment. For proper use, see supervisor, User Instructions, or contact the manufacturer. Werner Co. can supply additional information upon request.



Compliant fall protection and emergency rescue systems help prevent serious injury during fall arrest. Users and purchasers of this equipment must read and understand the User Instructions provided for correct use and care of this product. All users of this equipment must understand the instructions, operation, limitations and consequences of improper use of this equipment and be properly trained prior to use per OSHA 29 CFR 1910.30 and 1926.503 or applicable local standards. The local competent person must keep these instructions, make them available to users, and require their use.

Misuse or failure to follow warnings and instructions may result in serious personal injury or death.

PURPOSE

The A410400 is an anchorage connector designed to function as an interface between the anchorage and a fall arrest, work positioning, rope access, or rescue system for the purpose of coupling the system to the anchorage. Any references to "anchorage connector" in this manual include, and apply to, the A410400.

USE INSTRUCTIONS

1. A user must be of sound mind and body to properly and safely use this equipment in normal and emergency situations.
2. Before using a personal fall arrest system, user must be trained in the safe use of the system and its components.
3. Use only with ANSI/OSHA compliant personal fall arrest or restraint systems. The anchorage must have the strength capable of supporting a static load, applied in the directions permitted by the system, of at least 5,000-lbs (22kN) in the absence of certification.
4. The user shall be equipped with a means of limiting the maximum dynamic forces exerted on the user during the arrest of a fall to a maximum of 1800-lbs (8kN).
5. Use of this product must be approved by an engineer or other qualified person to be compatible with any and all structural & operational characteristics of the selected installation location and system to be connected to this anchorage connector.
6. The anchorage connector must be inspected prior to each use by an authorized person or rescuer for wear, damage, and other deterioration. If defective components are found the anchorage connector must be immediately removed from service in accordance with the requirements of OSHA 29 CFR 1910.140 and 1926.502.
7. The anchorage connector should be positioned in such a way that minimizes the potential for falls and the potential fall distance during use. The complete fall arrest system must be planned (including all components, calculating fall clearance, and swing fall) before using.
8. A rescue plan, and the means at hand to implement it, must be in place that provides the prompt rescue of users in the event of a fall, or assures that users are able to rescue themselves.
9. After a fall occurs the anchorage connector must be removed from service and destroyed immediately.
10. Prior to installation of the anchorage connector, remove any surface contamination that could accelerate abrasion of the attached components.

USE LIMITATIONS: This anchorage connector has been tested in compliance with the requirements of ANSI/ASSE Z359.7. Compliance testing covers only the hardware and does not extend to the anchorage and substrate to which the anchorage connector is attached. The anchorage connector must not be used outside its limitations or for any purpose other than that for which it is intended. If this anchorage connector is used differently from these instructions, it must be designed, installed, and used under the supervision of an engineer according to ANSI Z359.6 and local building codes as applicable.

1. The anchorage connector is designed for single user including clothing, tools, etc.
2. The anchorage connector may only be loaded in acceptable directions shown in the LOADING CONDITIONS DIAGRAM.
3. The anchorage connector is designed to be used in temperatures ranging from -30°F to +130°F (-40°C to +54°C).
4. Do not expose the anchorage connector to chemicals or harsh solutions which may have a harmful effect.
5. Do not alter or modify this product in any way.
6. Caution must be taken when using any component of a fall arrest, work positioning, rope access, or rescue system near moving machinery, electrical hazards, sharp edges, or abrasive surfaces, as contact may cause equipment failure, personal injury, or death.
7. Do not use/install equipment without proper training by a qualified person.
8. Do not remove the labeling from this product.
9. Additional requirements and limitations may apply depending on anchorage type and fastening option utilized for installation. All placements must be approved by an engineer or other qualified person.
10. This anchorage connector should not be used as part of a horizontal lifeline system.
11. The anchorage connector should only be used for personal fall protection and not for lifting equipment.
12. If attaching the anchorage connector to the support structure by methods other than instructed, the attachment must be certified by a qualified person to meet the requirements of the system that will connect to the anchorage connector.

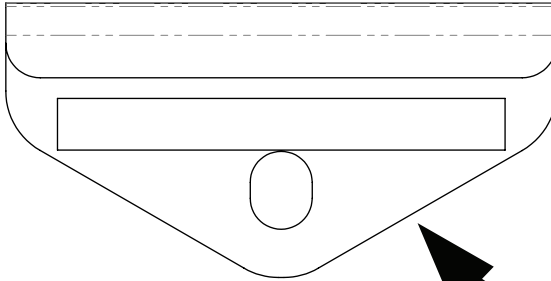
COMPATIBILITY LIMITATIONS

Anchorage connectors must only be coupled to compatible connectors. OSHA 29 CFR 1926.502 and 1910.140 prohibit snaphooks from being engaged to certain objects unless two requirements are met: it must be a locking type snaphook, and it must be "designed for" making such a connection. "Designed for" means that the manufacturer of the snaphook specifically designed the snaphook to be used to connect to the equipment listed. The following connections must be avoided, because they can result in rollout* when a nonlocking snaphook is used:

- Direct connection of a snaphook to horizontal lifeline.
- Two (or more) snaphooks connected to one D-ring.
- Two snaphooks connected to each other.
- A snaphook connected back on its integral lanyard.
- A snaphook connected to a webbing loop or webbing lanyard.
- Improper dimensions of the D-ring, rebar, or other connection point in relation to the snaphook dimensions that would allow the snaphook keeper to be depressed by a turning motion of the snaphook.

***Rollout: A process by which a snaphook or carabiner unintentionally disengages from another connector or object to which it is coupled. (ANSI Z359.0)**

LABEL LOCATIONS



WERNER
Strut Channel Anchor
Model: A410400
Batch: SCA-XXXX MFD: MM/YYYY
DO NOT REMOVE
INSPECT BEFORE USE

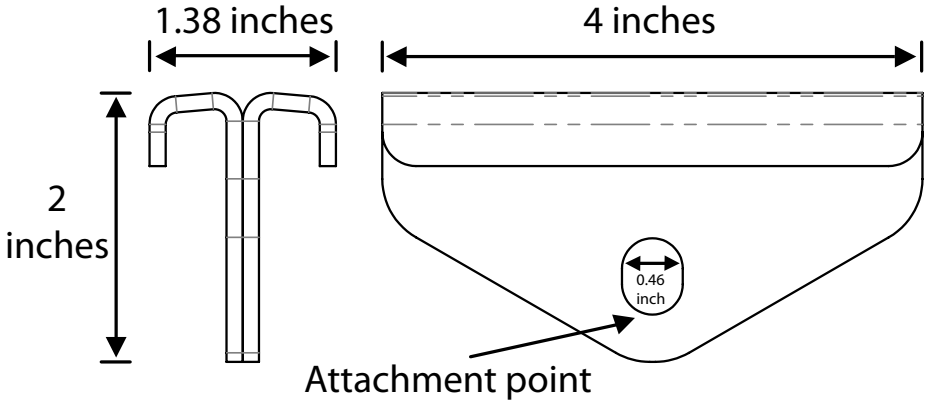
Max Capacity: One Person
5,000-lbf (22kN) MBS
Minimum Service Temperature: -30°F
Refer to user instructions for direction
of loading restrictions.
This Product meets the standards as marked:
OSHA 1910.140 && 1926.502
ANSI Z359.18(17), Z359.7(19)
P/N 126442-02 REV A 11/21



WARNING: ALL USERS OF THIS EQUIPMENT MUST READ AND UNDERSTAND ALL INSTRUCTIONS. FAILURE TO DO SO MAY RESULT IN SERIOUS INJURY OR DEATH. USERS SHOULD BE FAMILIAR WITH PERTINENT REGULATIONS GOVERNING THIS EQUIPMENT. ALL USERS OF THIS PRODUCT MUST BE PROPERLY INSTRUCTED ON HOW TO USE THE DEVICE. MAKE ONLY COMPATIBLE CONNECTIONS. THE STEEL O-RING IS THE ONLY COMPATIBLE CONNECTION POINT ON THIS ANCHORAGE CONNECTOR.

P/N 126442-01 REV A 11/21

TERMS AND DIMENSIONS



Minimum Breaking Strength (MBS): 5,000-lbs (22kN)

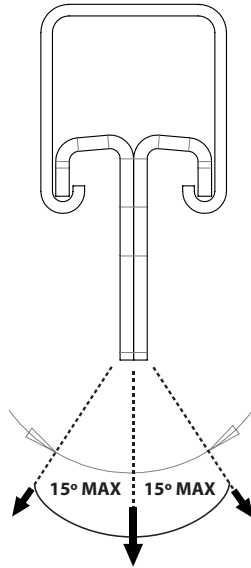
Max Capacity: One person

Weight: 0.62 lbs. (.28 kg)

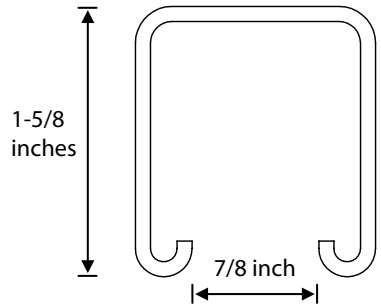
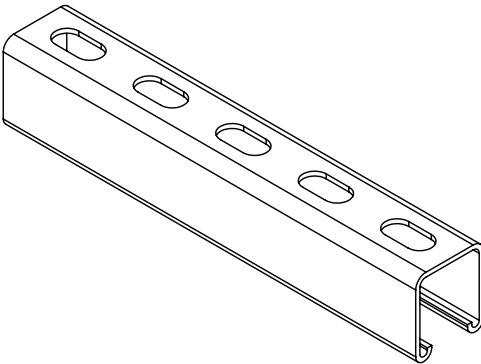
Materials: Zinc-Plated Steel

Regulatory Compliance: OSHA 1910.140, OSHA 1926.502, ANSI Z359.18 - Type A, ANSI Z359.7

LOADING CONDITIONS DIAGRAM



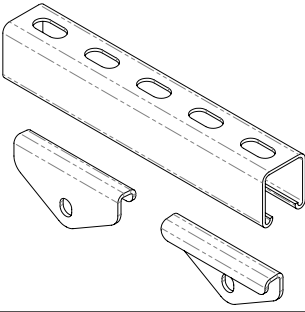
ANCHORAGE REQUIREMENTS



- The Strut Channel Anchor shall only be installed in standard 1-5/8 inch strut of 12 gauge or thicker construction and located overhead.
- Anchorage must be capable of supporting 5,000-lbs (22 kN) or be designed, installed, used under supervision of a qualified person, and as part of a complete personal fall protection system that maintains a safety factor of at least two.
- ***A qualified person must determine if a specific installation location will meet all ANCHORAGE REQUIREMENTS.***

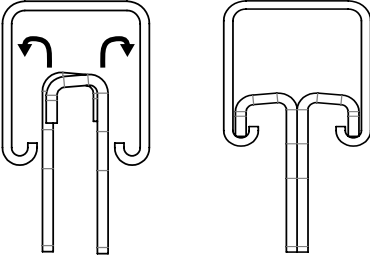
INSTALLATION INSTRUCTIONS

1



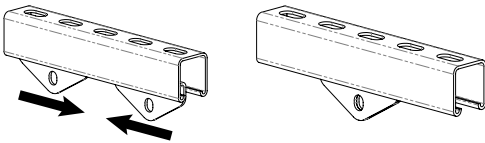
1. Choose location in Strut Channel. A qualified person must determine if a specific installation location will meet all ANCHORAGE REQUIREMENTS. Insert the two pieces of the anchorage connector into the strut channel.

2



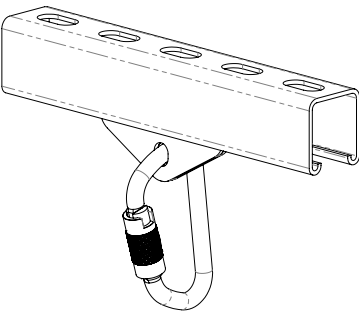
2. Hook both sides of the anchorage connector onto the strut channel. Both pieces of the anchorage connector must be used. **DO NOT USE** the anchorage connector without both pieces.

3



3. Bring the two pieces of the anchorage connector together.

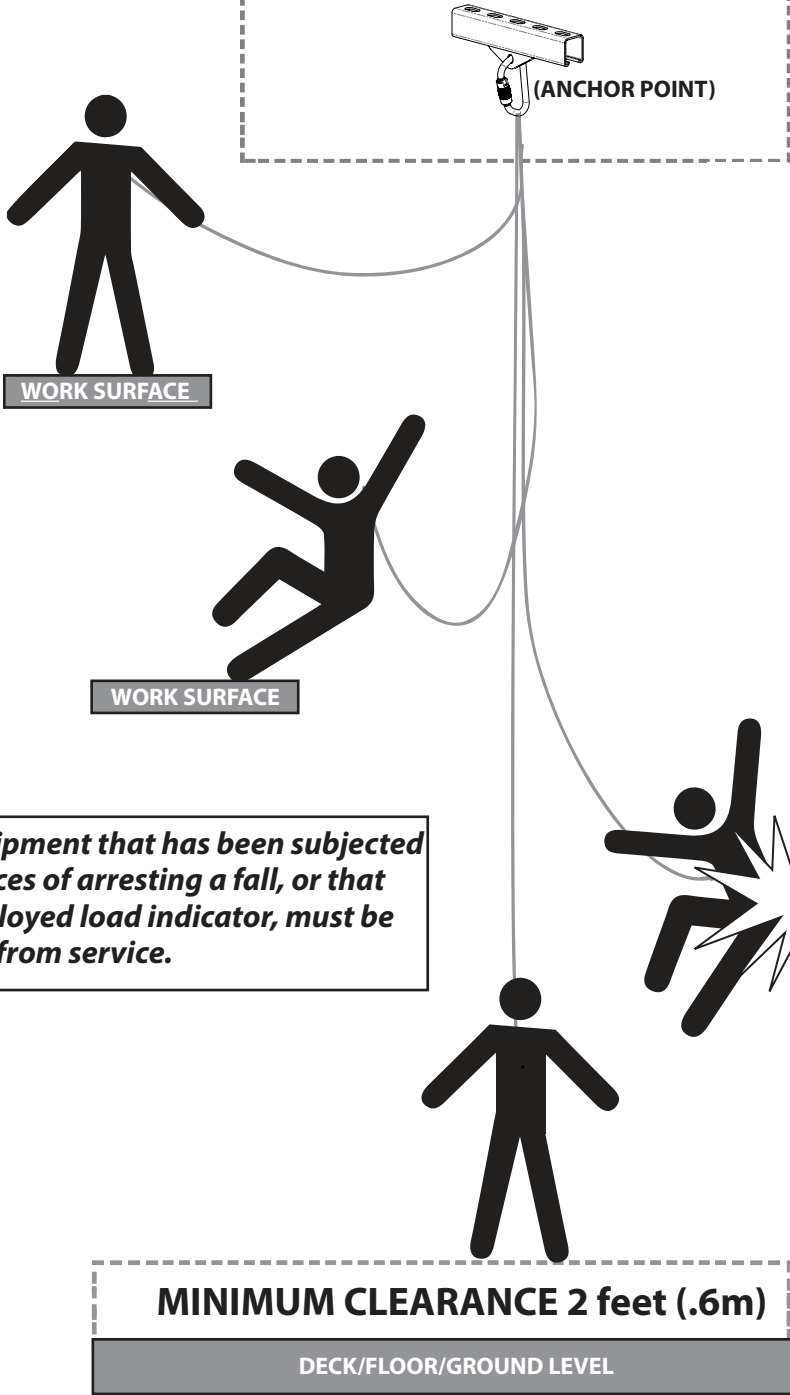
4



4. Connect to the anchorage connector using a carabiner going through both holes of the anchorage connector. PFAS must limit fall arrest forces to 1800-lbs (8 kN) or less.

WARNING: Make only compatible connections. Only connect to the specified attachment point with an ANSI Z359.12 compliant carabiner (Both holes on the anchorage connector). Direct connection in any other location is prohibited.

*Only use connecting subsystems that limit the maximum arrest force to less than 1,800 lbs (8kN). In the EU these forces must be limited to 1350-lbs (6kN).



****Any equipment that has been subjected to the forces of arresting a fall, or that has a deployed load indicator, must be removed from service.***

MAINTENANCE, CLEANING AND STORAGE

Cleaning periodically will prolong the life and proper functioning of the product. Frequency of cleaning should be determined by inspection and by severity of the environment. Clean with compressed air and/or a clean, dry cloth. Do not use any corrosive chemicals that could damage the product. When in transport or not in use, store anchorage connectors in a cool, dry, clean environment, out of direct sunlight and free of corrosive or other degrading elements.

INSPECTION AND MAINTENANCE LOG

MODEL NUMBER: _____

DATE OF MANUFACTURE: _____

Date	Part Number	Comments	Inspector Name

Inspection:

Official periodic inspection must be made at least semiannually. The inspection must be performed by a competent person other than the intended user. If severe weather or environmental conditions exist then inspections must be carried out more frequently. All inspection results must be logged in the space provided above.

1. Inspect anchoring system for signs of wear, corrosion, or damage.
2. Record inspection results in the space provided above.

***If any damage that could affect the strength or operation of the device, inadequate maintenance, or an unsafe condition are found, proper disposal is required. The anchorage connectors must be rendered unusable and then properly discarded.**

Werner Co.
555 Pierce Road
Suite 300
Itasca, IL 60143
1(888) 523-3371 / www.wernerco.com
P/N 126444-01 REV A 11/21