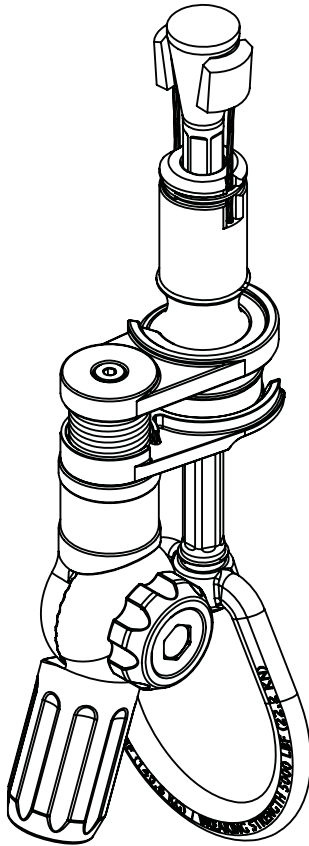




USER INSTRUCTIONS

EVO ANCHOR AND RGS SYSTEM

Complies with the ANSI Z359.1 standard and OSHA 29 CFR 1910 and 1926 regulations.



Model: A311000 & A312000



IMPORTANT!!!

ALL USERS OF THIS EQUIPMENT MUST READ AND UNDERSTAND ALL INSTRUCTIONS. FAILURE TO DO SO MAY RESULT IN SERIOUS INJURY OR DEATH. USERS SHOULD BE FAMILIAR WITH PERTINENT REGULATIONS GOVERNING THIS EQUIPMENT. ALL USERS OF THIS PRODUCT MUST BE PROPERLY INSTRUCTED ON HOW TO USE THIS DEVICE.

Read This Instruction Manual Carefully Before Using This Equipment.

User Instructions must always be available to the user and are not to be removed except by the user of this equipment. For proper use, see supervisor, User Instructions, or contact the manufacturer.

WARNING

Compliant fall protection and emergency rescue systems help prevent serious injury during fall arrest. Users and purchasers of this equipment must read and understand the User Instructions provided for correct use and care of this product. All users of this equipment must understand the instructions, operation, limitations and consequences of improper use of this equipment and be properly trained prior to use per OSHA 29 CFR 1910.30 and 1926.503 or applicable local standards. **Misuse or failure to follow warnings and instructions may result in serious personal injury or death.**

PURPOSE

The A311000 and A312000 or first man up system is an anchorage connector designed to function as an interface between the anchorage and a fall protection, work positioning, rope access, or rescue system for the purpose of coupling the system to the anchorage. Any references to “anchorage connector” in this manual include, and apply to, the A311000 and A312000.

USE INSTRUCTIONS

1. A user must be of sound mind and body to properly and safely use this equipment in normal and emergency situations.
2. Before using a personal fall arrest system, user must be trained in accordance with the requirements of OSHA 29 CFR 1910.66 in the safe use of the system and its components.
3. Use only with ANSI/OSHA compliant personal fall arrest or restraint systems. The anchorage must have the strength capable of supporting a static load, applied in the directions permitted by the system, of at least 5,000-lbf (22kN) in the absence of certification. (ONLY USE PRE-PLACED EVO RECEPTACLE)
4. The user must be equipped with a means of limiting the maximum dynamic forces exerted on the user during the arrest of a fall to a maximum of 1800-lbf (8 kN).
5. Use of this product must be approved by an Engineer or other qualified person to be compatible with any and all structural & operational characteristics of the selected installation location and system to be connected to this anchorage connector.
6. The anchorage connector must be inspected prior to each use for wear, damage, and other deterioration. If defective components are found, the anchorage connector must be immediately removed from service in accordance with the requirements of OSHA 29 CFR 1910.140 and 1926.502.
7. The anchorage connector should be positioned in such a way that minimizes the potential for falls and the potential fall distance during use. The complete fall protection system must be planned (including all components, calculating fall clearance, and swing fall) before using.
8. A rescue plan, and the means at hand to implement it, must be in place that provides the prompt rescue of users in the event of a fall, or assures that users are able to rescue themselves.
9. After a fall occurs, the anchorage connector must be removed from service and destroyed immediately.

USE LIMITATIONS: The anchorage connector must not be used outside its limitations, or for any purpose other than that for which it is intended.

1. The anchorage connector is designed for single user, with a capacity 310-lbs (141 kg) including clothing, tools, etc.
2. The anchorage connector may only be loaded as shown in the PROPER LOADING diagram.
3. The anchorage connector must only be used in compatible receptacles.
4. The anchorage connector should only be used in overhead locations.
5. The anchorage connector is designed to be used in temperatures ranging from -40°F to +130°F (-40°C to +54°C).
6. Do not expose the anchorage connector to chemicals or harsh solutions which may have a harmful effect.
7. Do not alter or modify this product in anyway.
8. Caution must be taken when using any component of a fall protection, work positioning, rope access, or rescue system near moving machinery, electrical hazards, sharp edges, or abrasive surfaces, as contact may cause equipment failure, personal injury, or death.
9. Do not use/install equipment without proper training by a “competent person” as defined by OSHA 29 CFR 1926.32(f).
10. Do not remove the labeling from this product.
11. Additional requirements and limitations may apply depending on anchorage type and fastening option utilized for installation. All placements must be approved by an engineer or other qualified person.
12. This anchorage connector should not be used as part of a horizontal lifeline system.
13. The anchorage connector should only be used for personal fall protection and not for lifting equipment.

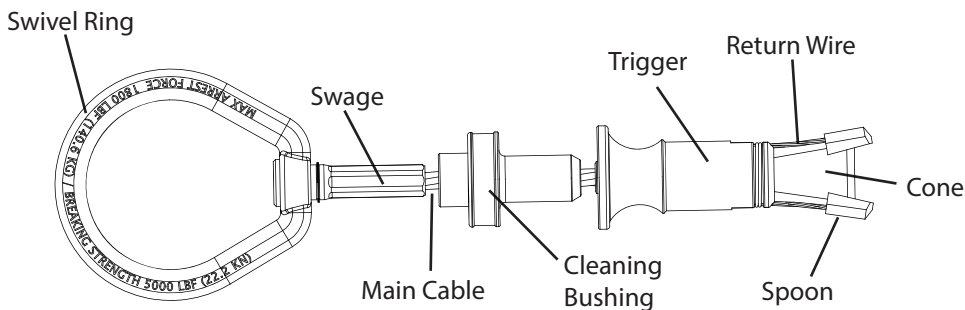
COMPATIBILITY LIMITATIONS

Anchorage connector must only be coupled to compatible connectors. OSHA 29 CFR 1926.502 prohibits snaphooks from being engaged to certain objects unless two requirements are met: it must be a locking type snaphook, and it must be “designed for” making such a connection. “Designed for” means that the manufacturer of the snaphook specifically designed the snaphook to be used to connect to the equipment listed. The following connections must be avoided because they can result in rollout* when a non-locking snaphook is used:

- Direct connection of a snaphook to horizontal lifeline.
- Two (or more) snaphooks connected to one D-ring.
- Two snaphooks connected to each other.
- A snaphook connected back on its integral lanyard.
- A snaphook connected to a webbing loop or webbing lanyard.
- Improper dimensions of the D-ring, rebar, or other connection point in relation to the snaphook dimensions that would allow the snaphook keeper to be depressed by a turning motion of the snaphook.

*Rollout: A process by which a snaphook or carabiner unintentionally disengages from another connector or object to which it is coupled. (ANSI Z359.0)

EVO A311000 (Removable Anchor)



PERFORMANCE:

Static Tensile Strength: 5000-lbf (22kN)
Maximum Capacity: one worker with weight of 130-420-lbs (59-191kg) when used as a single point anchorage connector for personal fall arrest or restraint system.

DIMENSIONS:

Weight: .75-lbs (337.5g)
Length: 10.75" (273mm)

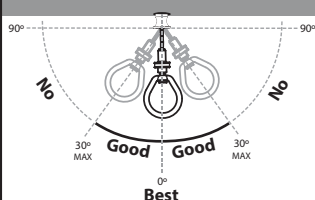
REGULATORY COMPLIANCE:

ANSI Z359.1-07, ANSI A10.32-12,
OSHA 29 CFR 1926 Subpart M,
and OSHA 29 CFR 1910.

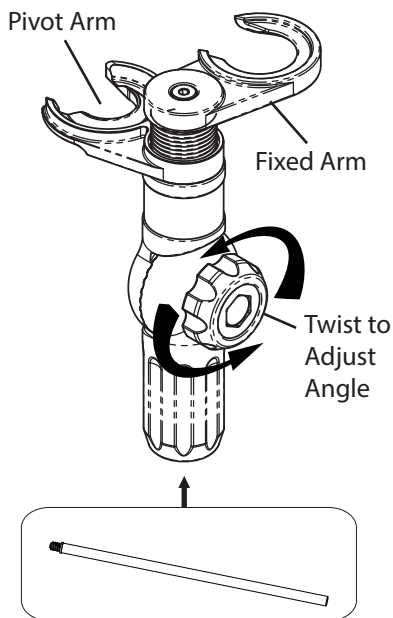
COMPONENT MATERIALS:

Aluminum: Trigger, Cleaning Bushing
Aircraft Cable: Main Cable, Return Wire
Stainless Steel: Cone, Spoons, Swage
Zinc Plated Steel: Swivel Ring

PROPER LOADING



RGS A312000 (Remote Grab System)



Installation Prep:

Angle the head 10° - 20°
to the Left of the knob.

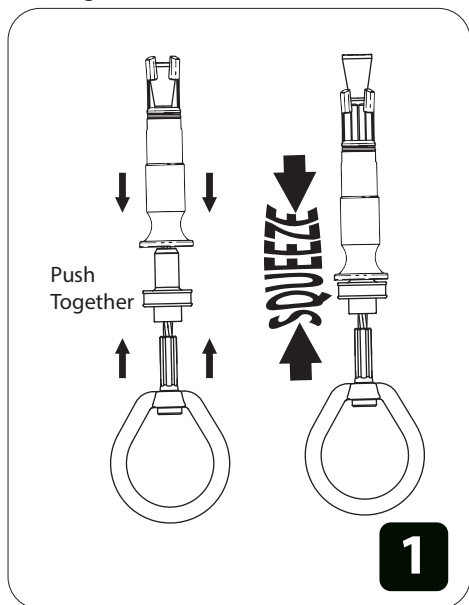
Removal Prep:

Angle the head 10° - 20°
to the Right of the knob.

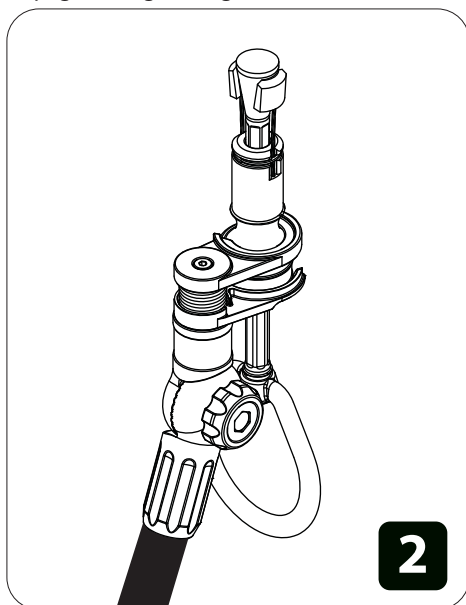
The RGS A312000 is designed to screw onto standard painter's extension pole with 3/4"-5 acme thread. Angle can be changed by loosening adjustment screw and tightening in appropriate position. RGS A312000 is used to install or remove EVO A311000 remotely.

INSTALLATION INSTRUCTIONS

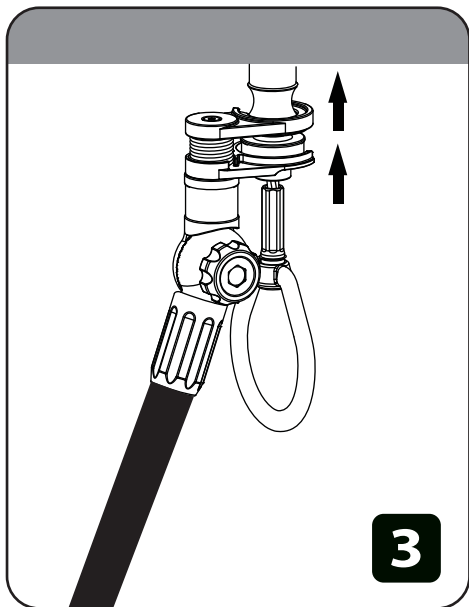
*Note: Before installation of anchorage connector, receptacle must be clean and free of debris including but not limited to concrete residue from seepage during casting.



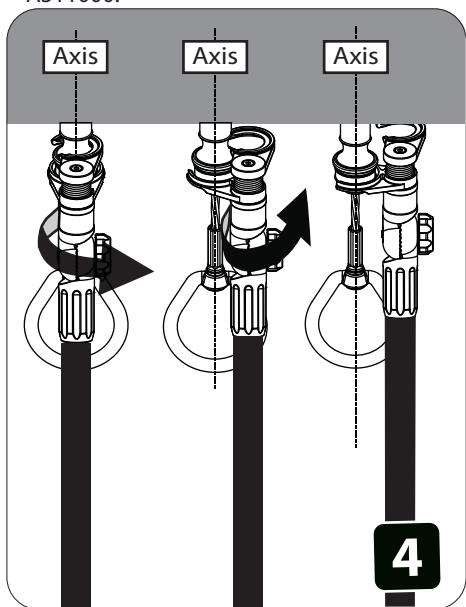
Step 1:
Squeeze cleaning bushing and trigger together.



Step 2:
Hook cleaning bushing onto pivot arm on RGS A312000 and rotate to secure EVO A311000.

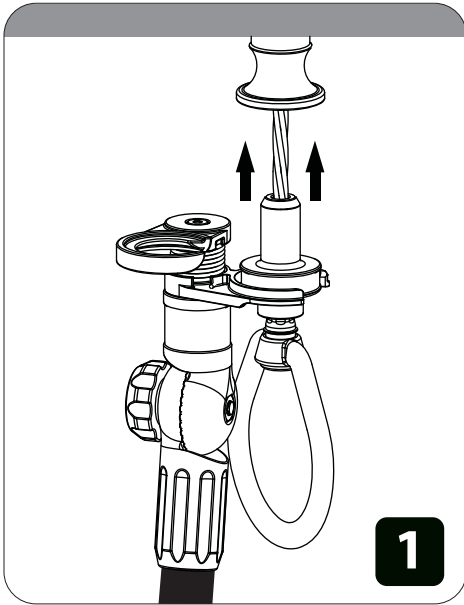


Step 3:
Insert EVO A311000 into approved receptacle and apply pressure upwards.

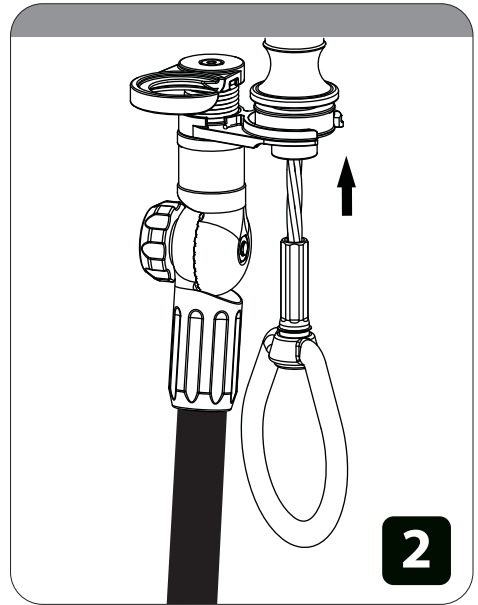


Step 4:
While maintaining upward pressure, use the pole to sweep the RGS A312000 around the axis of the EVO A311000 as shown. DO NOT TWIST THE POLE.

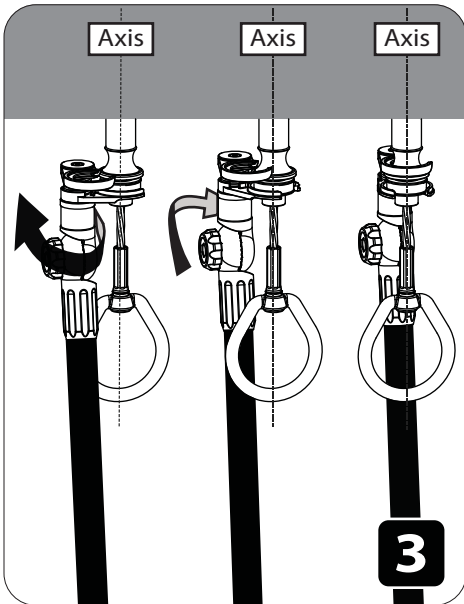
REMOVAL INSTRUCTIONS



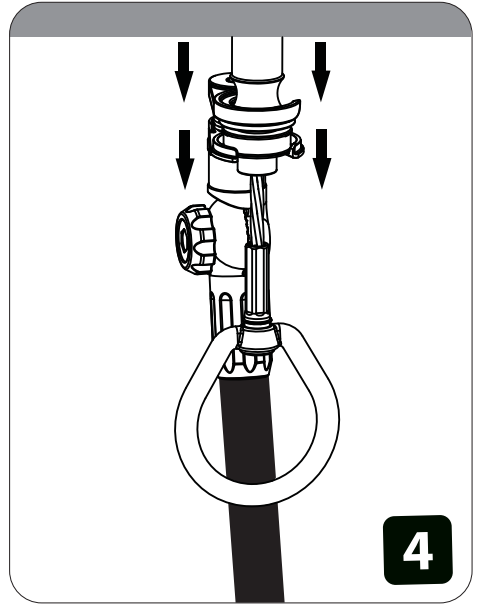
Step 1:
Hook and lift cleaning bushing with pivot arm on RGS A312000.



Step 2:
Push cleaning bushing up into trigger.

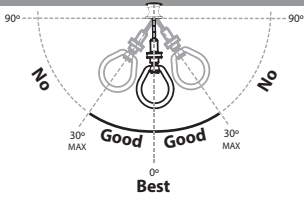


Step 3:
While maintaining upward pressure, use the pole to sweep the RGS A312000 around the axis of the EVO A311000 as shown. DO NOT TWIST THE POLE.



Step 4:
EVO A311000 is now disengaged from receptacle and can be removed.

PROPER LOADING

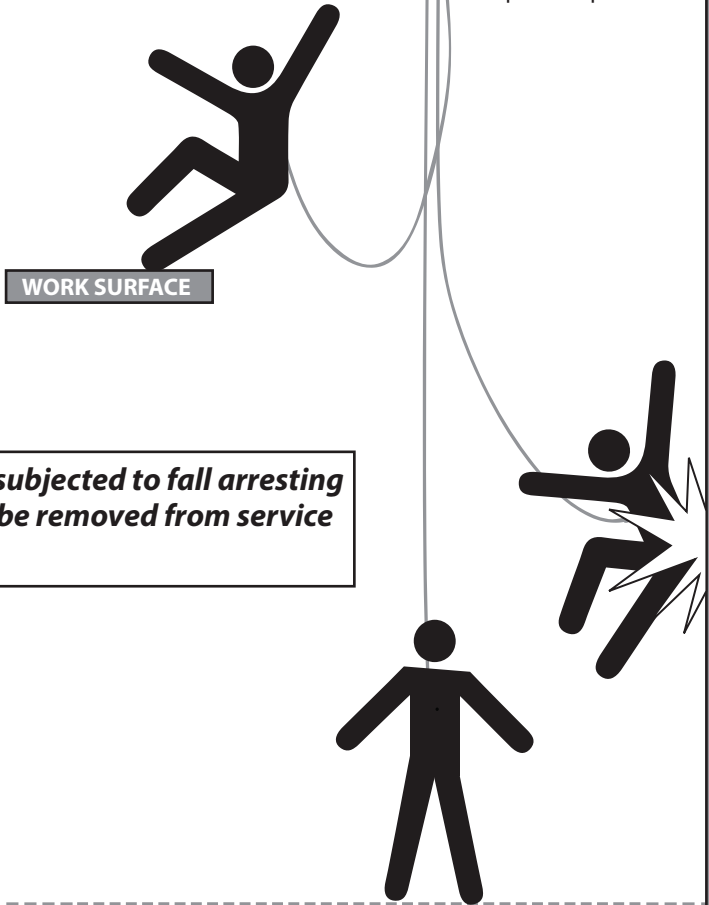


FOR OVERHEAD USE ONLY. DO NOT USE IF WORKER OR WORK SURFACE IS ABOVE ANCHOR CONNECTOR.

APPROVED RECEPTACLE

*The user shall be equipped with a means of limiting the maximum dynamic forces exerted on the user during the arrest of a fall to a maximum of 1800-lbf (8 kN)

*The structure the receptacle is attached to must be able to support 5,000-lbf (22kN) and installed under the supervision of a qualified person.



****All products subjected to fall arresting forces should be removed from service immediately!***

MINIMUM SAFETY FACTOR 2ft (0.6m)

DECK/FLOOR/GROUND LEVEL

WARNING!!! SWING FALLS CAN OCCUR WHEN THE WORKER IS NOT DIRECTLY UNDER ANCHOR POINT.

INSPECTION AND MAINTENANCE LOG

MODEL NUMBER: _____

DATE OF MANUFACTURE: _____

Date	Part Number	Comments	Inspector Name

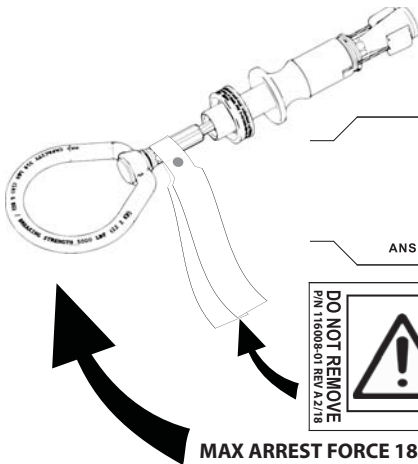
INSPECTION:

Official periodic inspection must be made at least semiannually. The inspection must be performed by a qualified person other than the intended user. If severe environmental conditions exist then inspections must be carried out more frequently. All inspection results must be logged in the space provided above.

1. Inspect EVO A311000 for visible signs of damage or wear that could affect operation.
For example: kinked or frayed cables.
2. Ensure all labeling is affixed to the unit.
3. Ensure the D-ring can rotate 360°.
4. Check that spoons and end termination operate smoothly with no metal burrs.
5. Record inspection results in the space provided above.

***If inspection reveals any damage that could affect the strength or operation of the device, inadequate maintenance, or an unsafe condition, proper disposal is required. The anchorage connector must be tagged unusable and then properly discarded.**

LABEL LOCATIONS



ANSI Z359.1-2007, ANSI Z359.7-2011, OSHA 1926.502, OSHA 1910.66

EVO ANCHOR
 Model: A311000
 Batch: XXX
 MFG: MM/YYYY
 1(888) 523-3371
INSPECT BEFORE USE

DO NOT REMOVE



WARNING: ALL USERS OF THIS EQUIPMENT MUST READ AND UNDERSTAND ALL INSTRUCTIONS. FAILURE TO DO SO MAY RESULT IN SERIOUS INJURY OR DEATH. USERS SHOULD BE FAMILIAR WITH PERTINENT REGULATIONS GOVERNING THIS EQUIPMENT. ALL USERS OF THIS PRODUCT MUST BE PROPERLY INSTRUCTED ON HOW TO USE THE DEVICE. AVOID CONTACT WITH PHYSICAL HAZARDS (THERMAL, CHEMICAL, ELECTRICAL, ETC.). MAKE ONLY COMPATIBLE CONNECTIONS.

Max Capacity 310 lbs.
 Zinc Plated Steel,
 Stainless Steel,
 Aircraft Cable,
 Aluminum

MAX ARREST FORCE 1800 LBF (8 kN) BREAKING STRENGTH 5000 LBF (22.2 kN)

MAINTENANCE, CLEANING AND STORAGE

Cleaning periodically will prolong the life and proper functioning of the product. The frequency of cleaning should be determined by inspection and by severity of the environment. Clean with compressed air and/or a stiff brush using plain water or a mild soap and water solution. Do not use any corrosive chemicals that could damage the product. Wipe all surfaces with a clean dry cloth and hang to dry, or use compressed air. When not in use, store anchorage connectors in a cool, dry, clean environment, out of direct sunlight and free of corrosive or other degrading elements.



Werner Co. Fall Protection
93 Werner Rd. Greenville, PA 16125
724-588-2000 • 888-523-3371 toll free • 888-456-8458 fax