

SH. 1  
OF 1

CAT NO

80-144J

SIZE

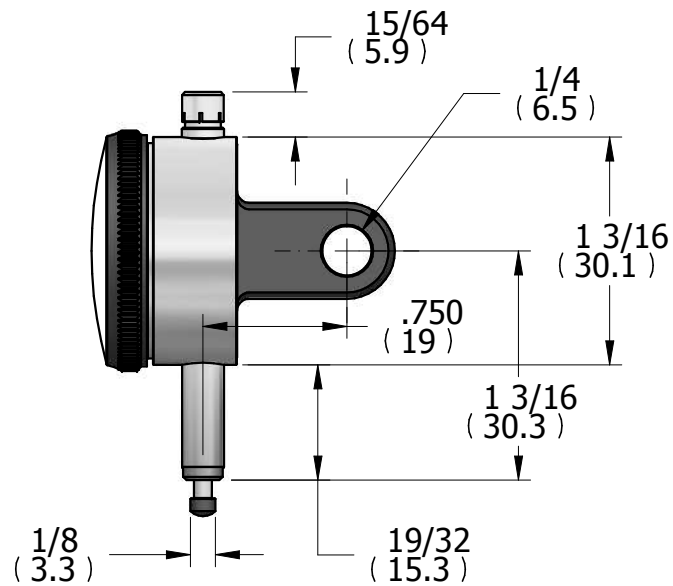
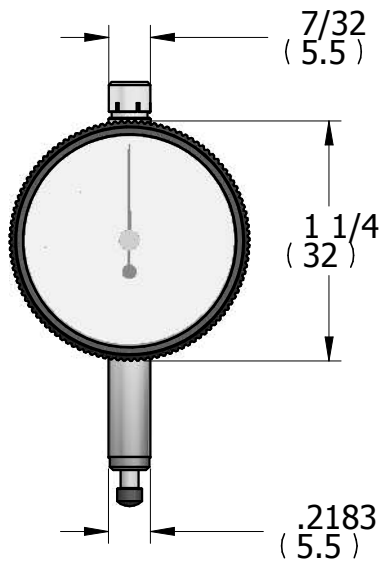
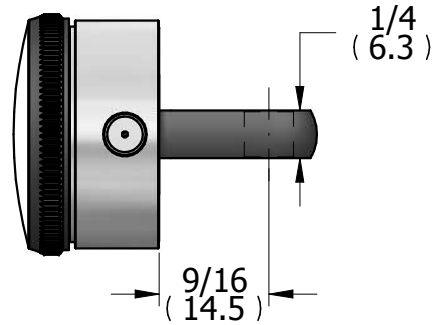
DO NOT  
SEPARATE  
PRINT FROM  
WORK

LOT NO

OPER

TOOLS

DIMENSIONS WITH  
LUG ON CENTER BACK




REV	DESCRIPTION	DATE	BY
DR	WRB	CHK	DATE

INDICATOR

THE L.S. STARRETT CO.  
ATHOL, MASS.

FRACTIONAL TOLERANCE +- 1/64 UNLESS OTHERWISE NOTED