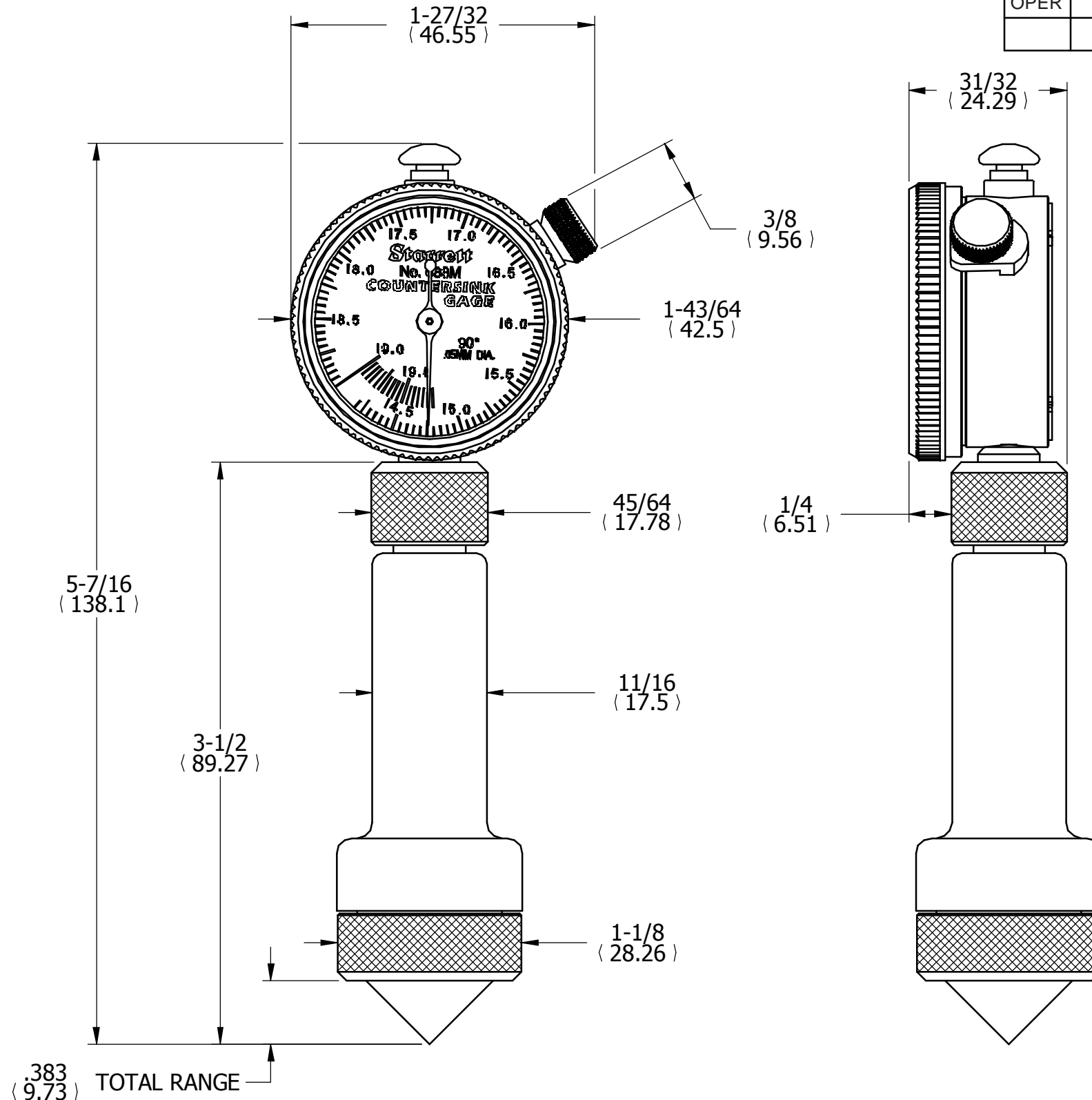


OPER

TOOLS




REV	DESCRIPTION	DATE	BY
DR	K.P.H.	CHK	DATE
<b>14.2-19.8MM RANGE 90° ANGLE COUNTERSINK GAGE</b>			
<b>THE L.S. STARRETT CO. ATHOL, MASS.</b>			

FRACTIONAL TOLERANCE +- 1/64 UNLESS OTHERWISE NOTED