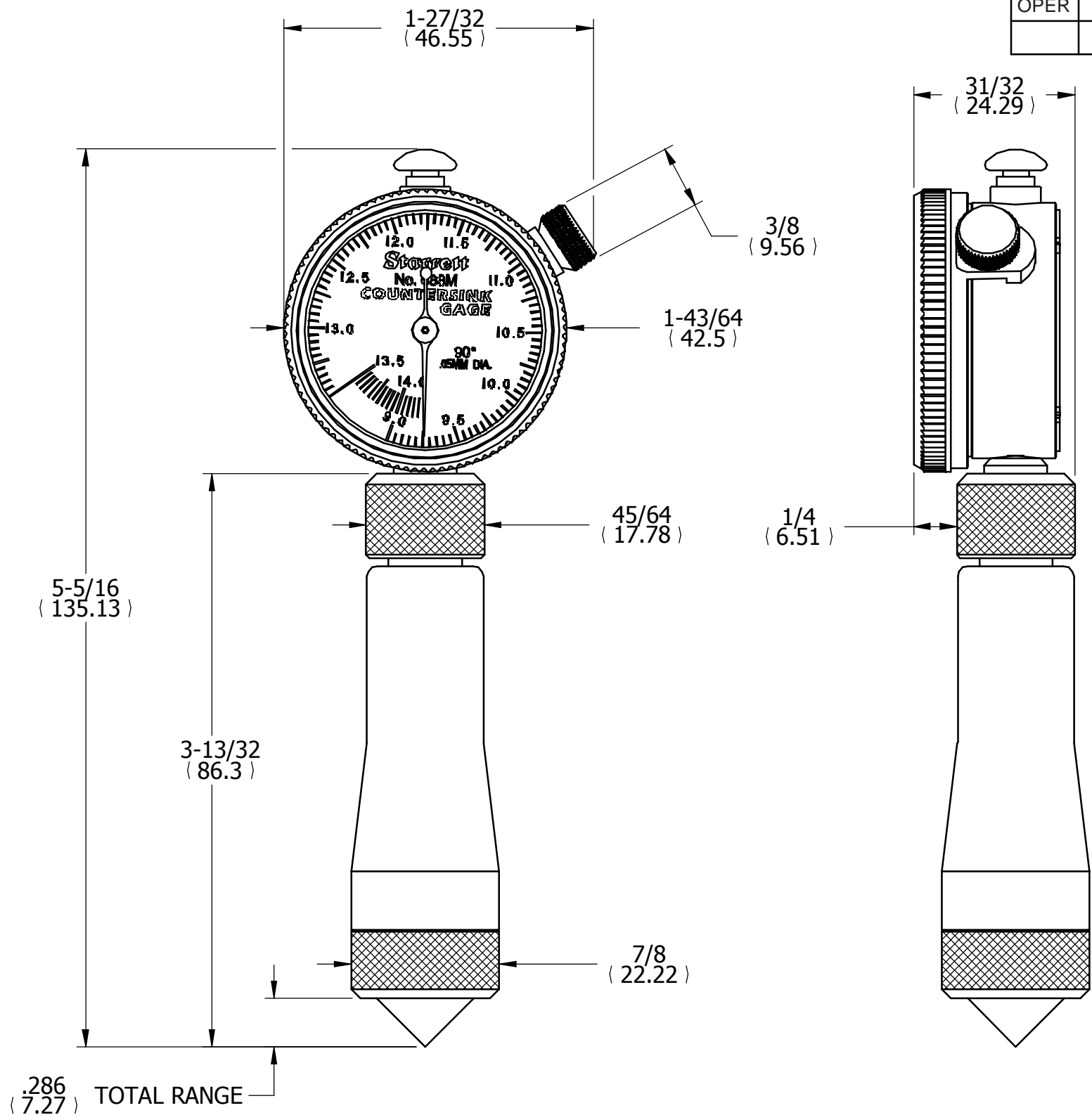


OPER

TOOLS




REV	DESCRIPTION	DATE	BY
DR	K.P.H.	CHK	DATE

9-14.2MM RANGE  
90° ANGLE  
COUNTERSINK GAGE

THE L.S. STARRETT CO.  
ATHOL, MASS.

FRACTIONAL TOLERANCE +- 1/64 UNLESS OTHERWISE NOTED