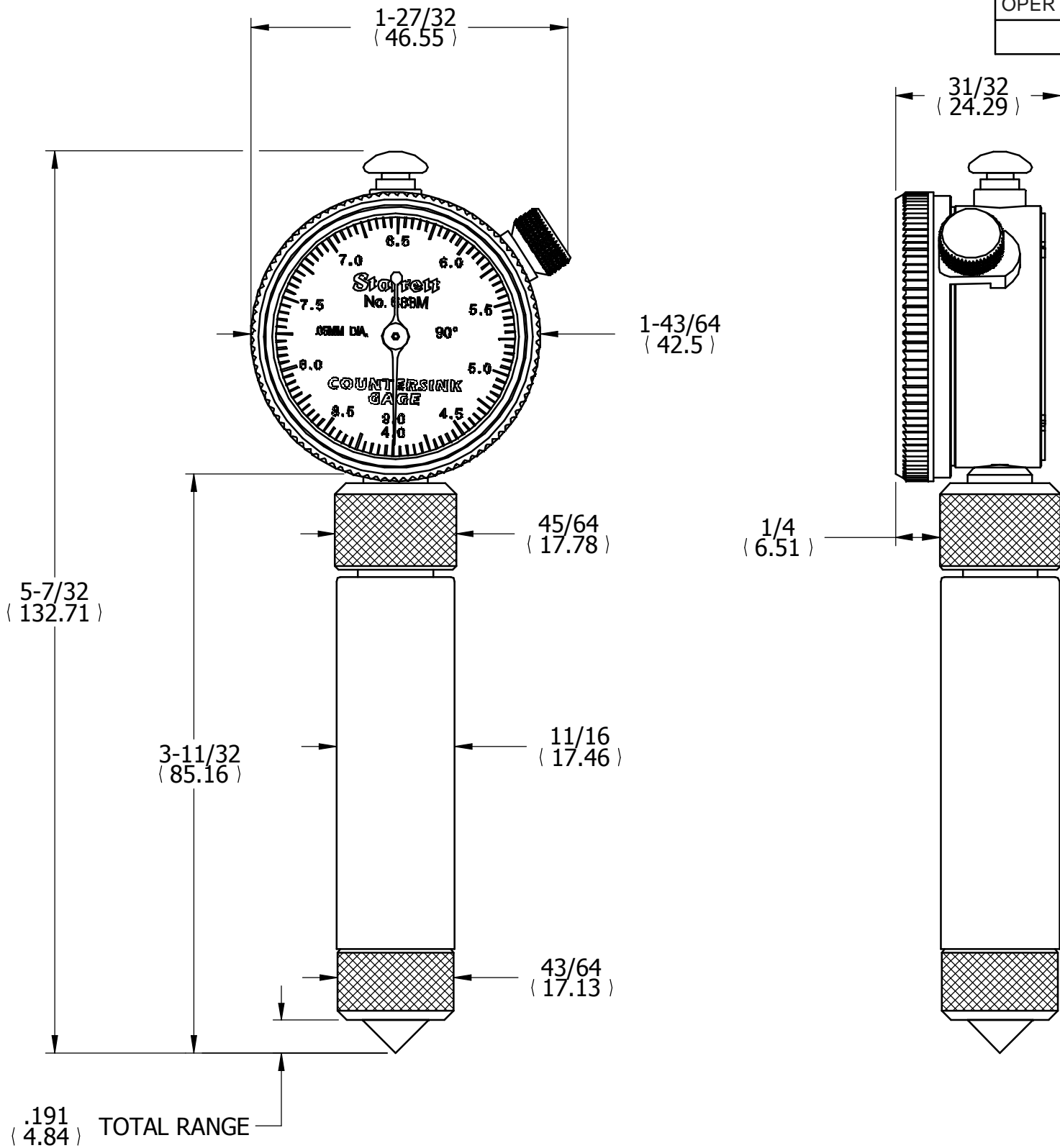


OPER

TOOLS



REV	DESCRIPTION	DATE	BY
-----	-------------	------	----

DR	K.P.H.	CHK	DATE
----	--------	-----	------

4-9MM RANGE
90° ANGLE
COUNTERSINK GAGE

THE L.S. STARRETT CO.
ATHOL, MASS.

FRACTIONAL TOLERANCE +- 1/64 UNLESS OTHERWISE NOTED