

SH. 1
OF 1

CAT NO

685-3Z

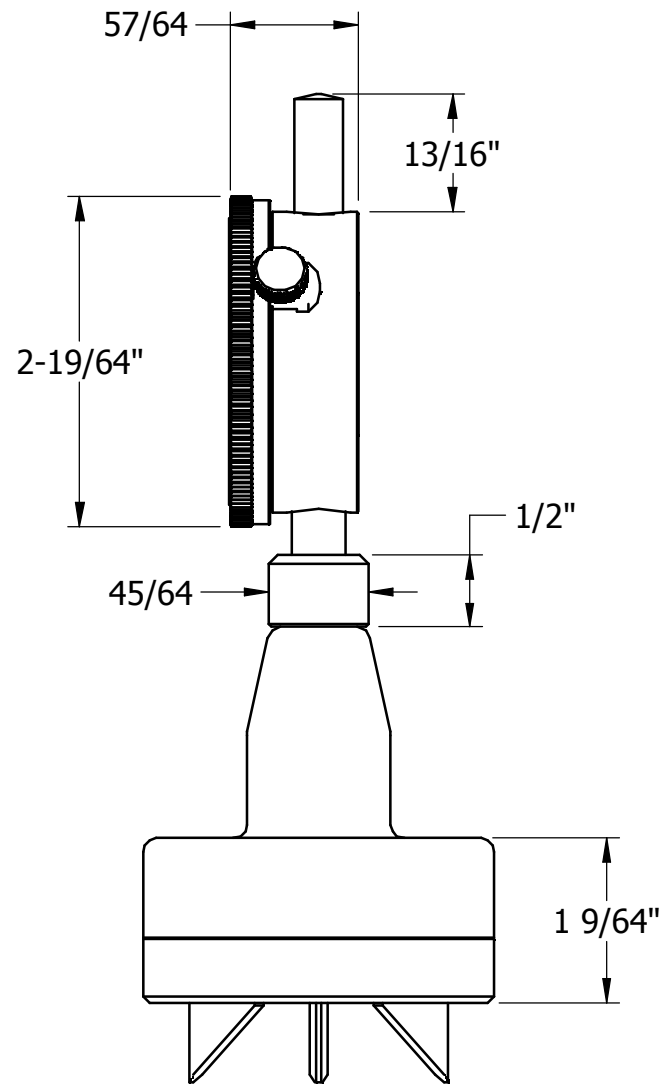
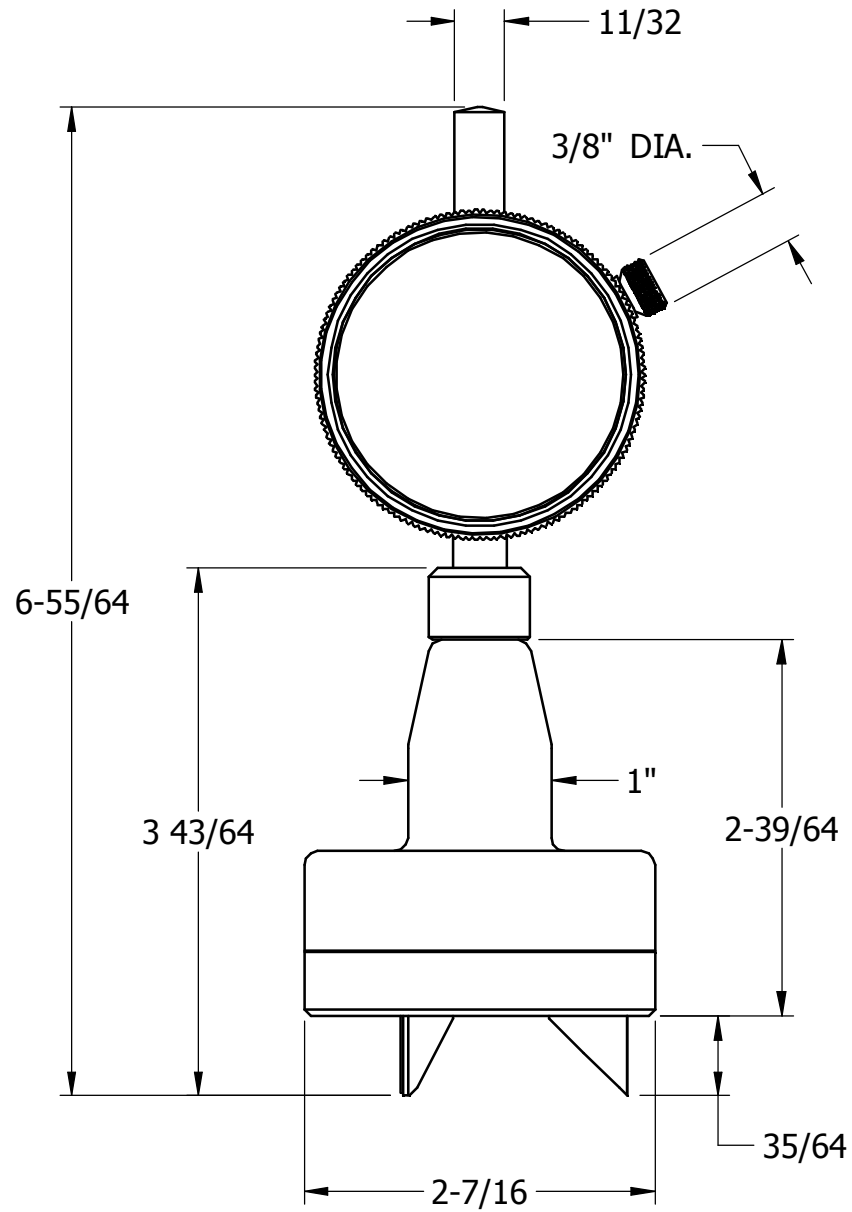
CUSTOMER DIMENSIONS

DO NOT
SEPARATE
PRINT FROM
WORK

LOT NO

OPER

TOOLS



| | | | |
|--|--|--|--|
| | | | |
| | | | |
| | | | |
| | | | |
| | | | |
| | | | |
| | | | |

| REV | DESCRIPTION | DATE | BY |
|-----|-------------|------|----|
|-----|-------------|------|----|

| | | | |
|----|-----|-----|------|
| DR | DRH | CHK | DATE |
|----|-----|-----|------|

1-2" DIA.
0-90° O.D.
CHAMFER GAGE

THE L.S. STARRETT CO.
ATHOL, MASS.

FRACTIONAL TOLERANCE $\pm 1/64$ UNLESS OTHERWISE NOTED