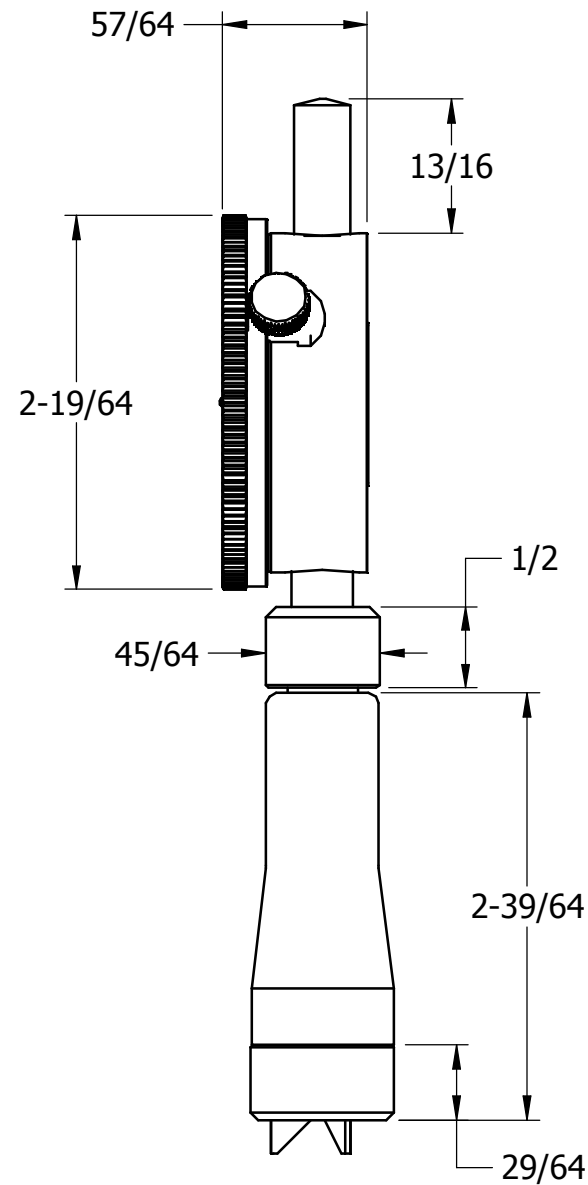
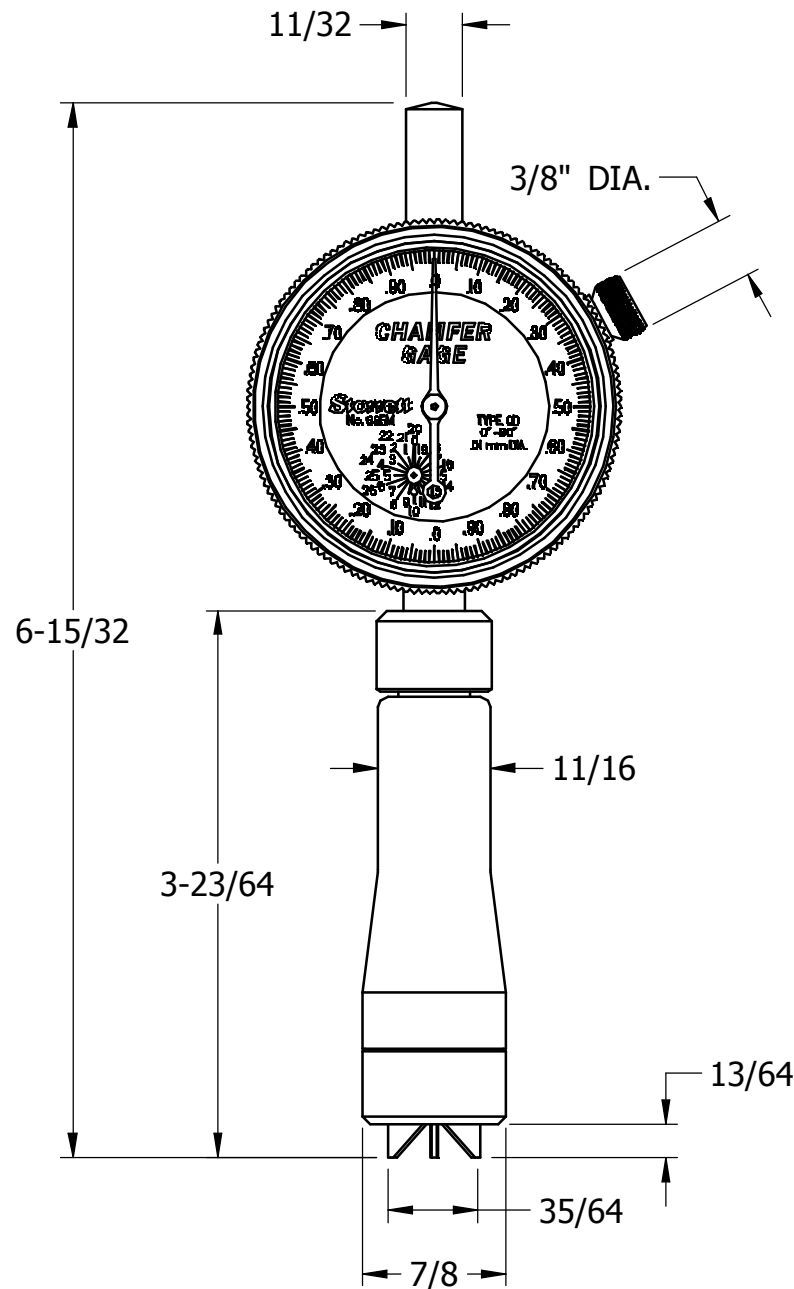


OPER

TOOLS



REV	DESCRIPTION	DATE	BY
DR	DRH	CHK	DATE

3.2-12.7mm DIA.
0-90° O.D.
CHAMFER GAGE

THE L.S. STARRETT CO.
ATHOL, MASS.

FRACTIONAL TOLERANCE +- 1/64 UNLESS OTHERWISE NOTED