

SH. 1  
OF 1

CAT NO

674-2

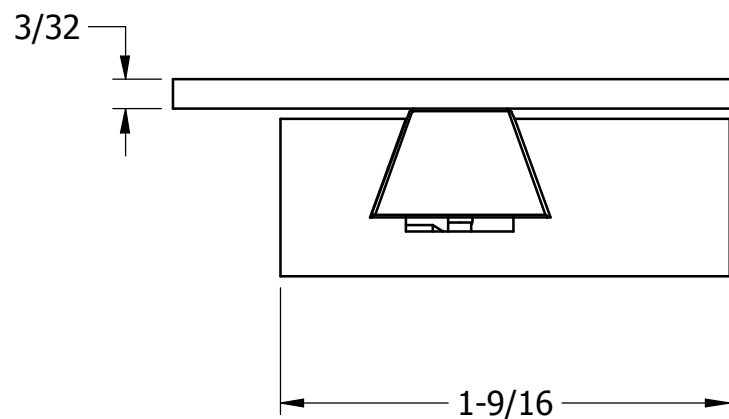
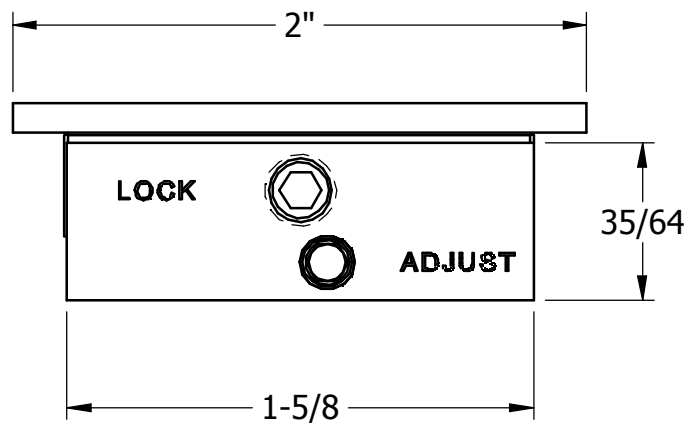
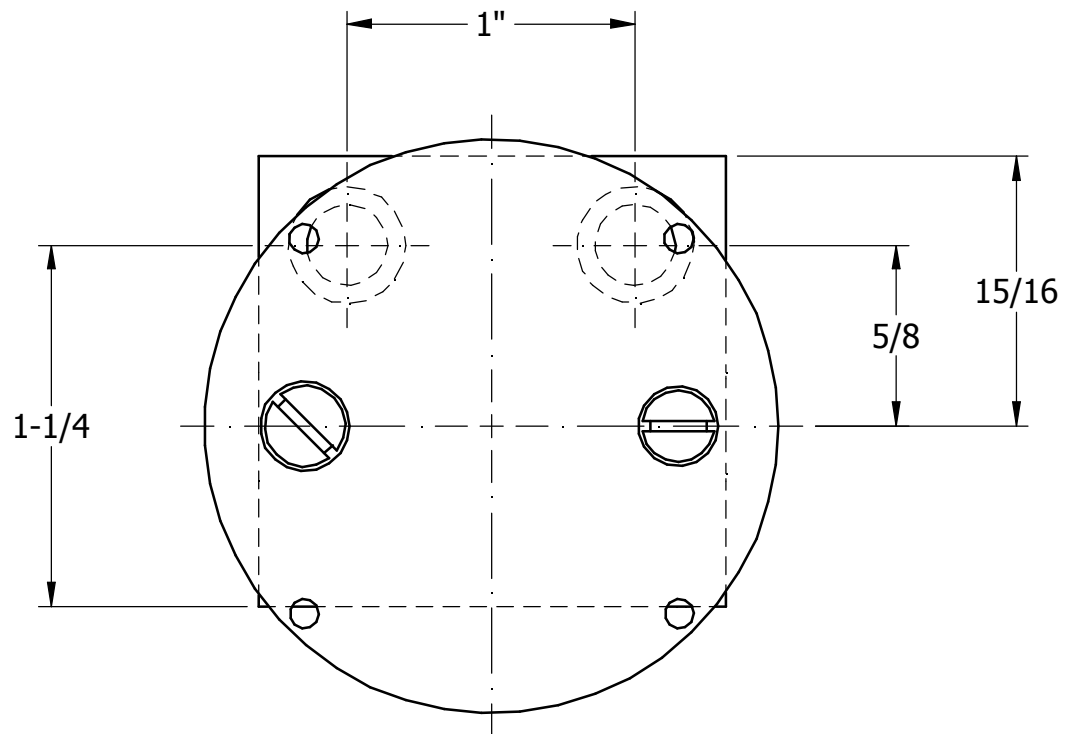
CUSTOMER DIMENSIONS

DO NOT  
SEPARATE  
PRINT FROM  
WORK

LOT NO

OPER

TOOLS




REV	DESCRIPTION	DATE	BY
DR	WRB	CHK	DATE

**DOVETAIL ADJUSTABLE  
BACK INDICATOR HOLDER  
ASSEMBLY**

**THE L.S. STARRETT CO.  
ATHOL, MASS.**

FRACTIONAL TOLERANCE +- 1/64 UNLESS OTHERWISE NOTED