

SH. 1
OF 1

CAT NO

665G

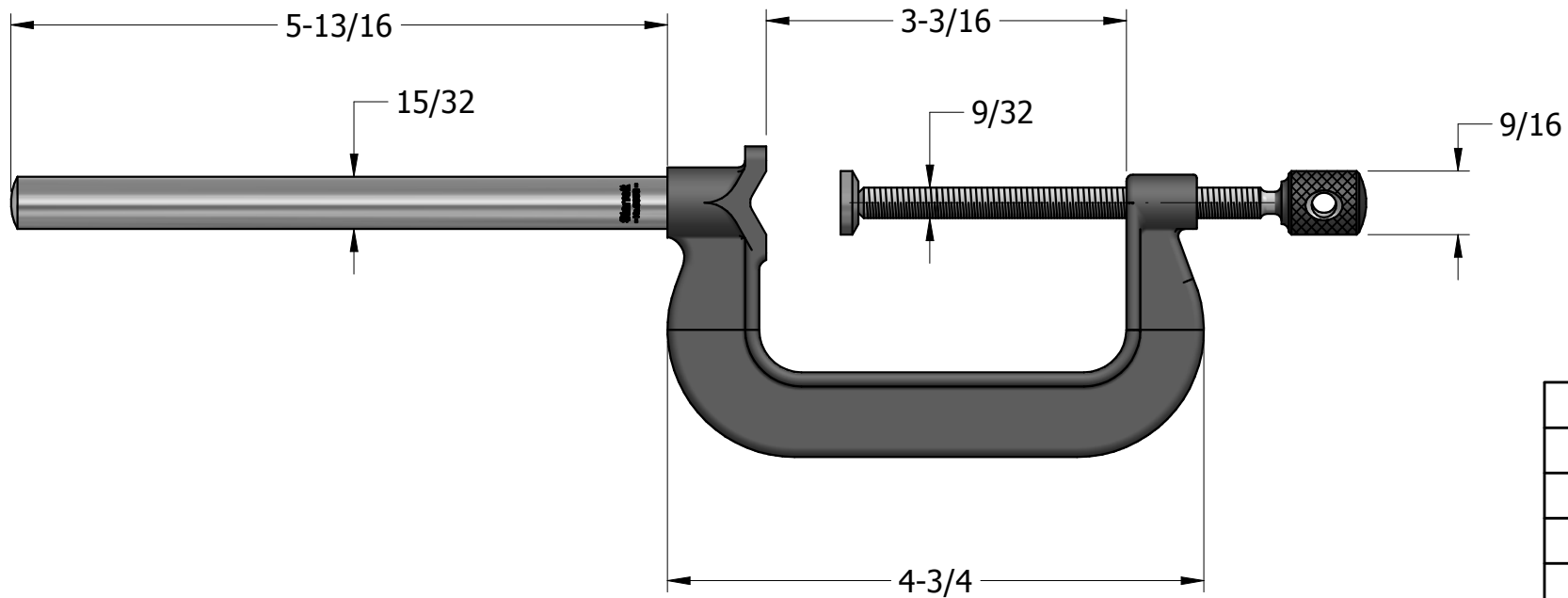
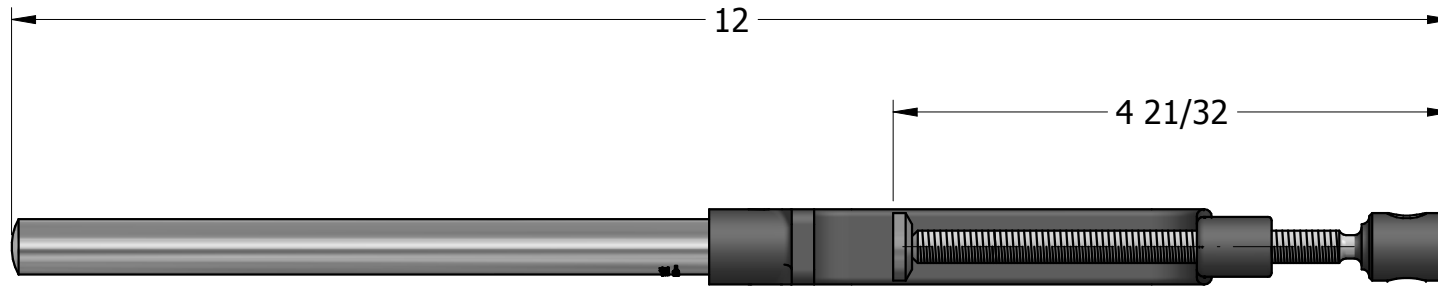
CUSTOMER DIMENSIONS

DO NOT
SEPARATE
PRINT FROM
WORK

LOT NO

OPER

TOOLS



REV	DESCRIPTION	DATE	BY
-----	-------------	------	----

DR	R.C.	CHK	DATE
----	------	-----	------

CLAMP

FRACTIONAL TOLERANCE $\pm \frac{1}{64}$ UNLESS OTHERWISE NOTED

THE L.S. STARRETT CO.
ATHOL, MASS.