

SH. 1
OF 1

CAT NO

665D

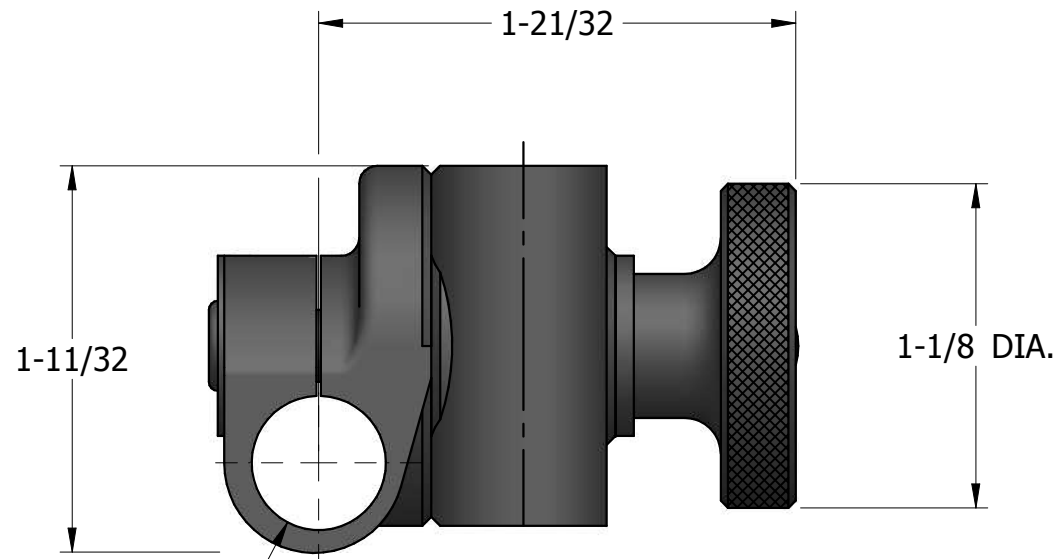
CUSTOMER DIMENSIONS

DO NOT
SEPARATE
PRINT FROM
WORK

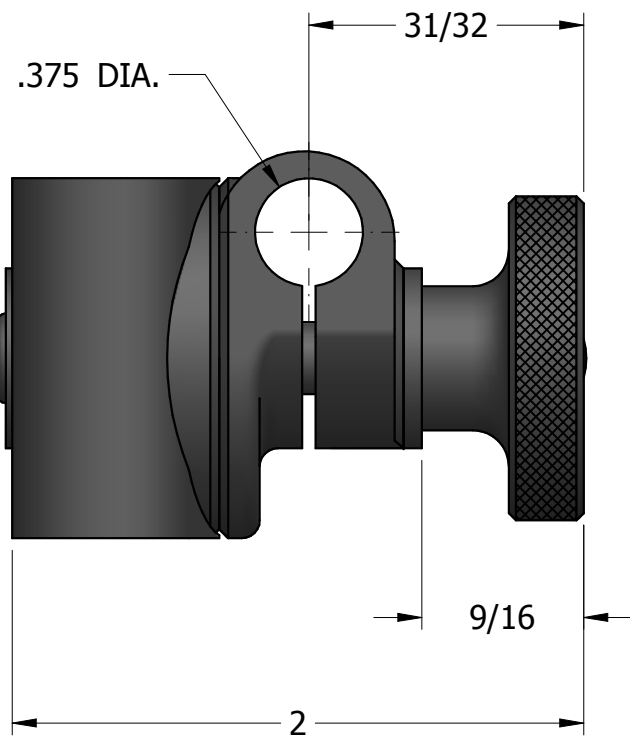
LOT NO

OPER

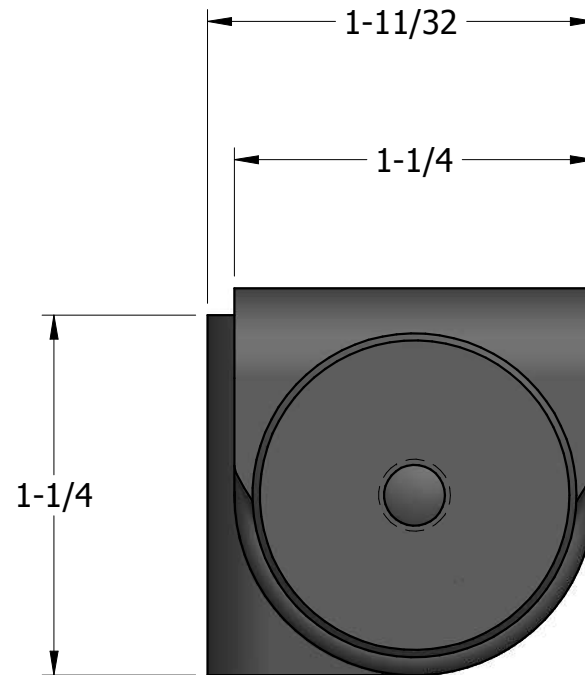
TOOLS



.466 DIA.



.375 DIA.



1-1/4

FRACTIONAL TOLERANCE $\pm 1/64$ UNLESS OTHERWISE NOTED

| | | | |
|--|--|--|--|
| | | | |
| | | | |
| | | | |
| | | | |
| | | | |
| | | | |
| | | | |
| | | | |
| | | | |
| | | | |

| REV | DESCRIPTION | DATE | BY |
|-----|-------------|------|----|
|-----|-------------|------|----|

| DR | R.C. | CHK | DATE |
|----|------|-----|------|
|----|------|-----|------|

SWIVEL POST
SNUG

THE L.S. STARRETT CO.
ATHOL, MASS.