

SH. 1
OF 1

CAT NO

659MBZ

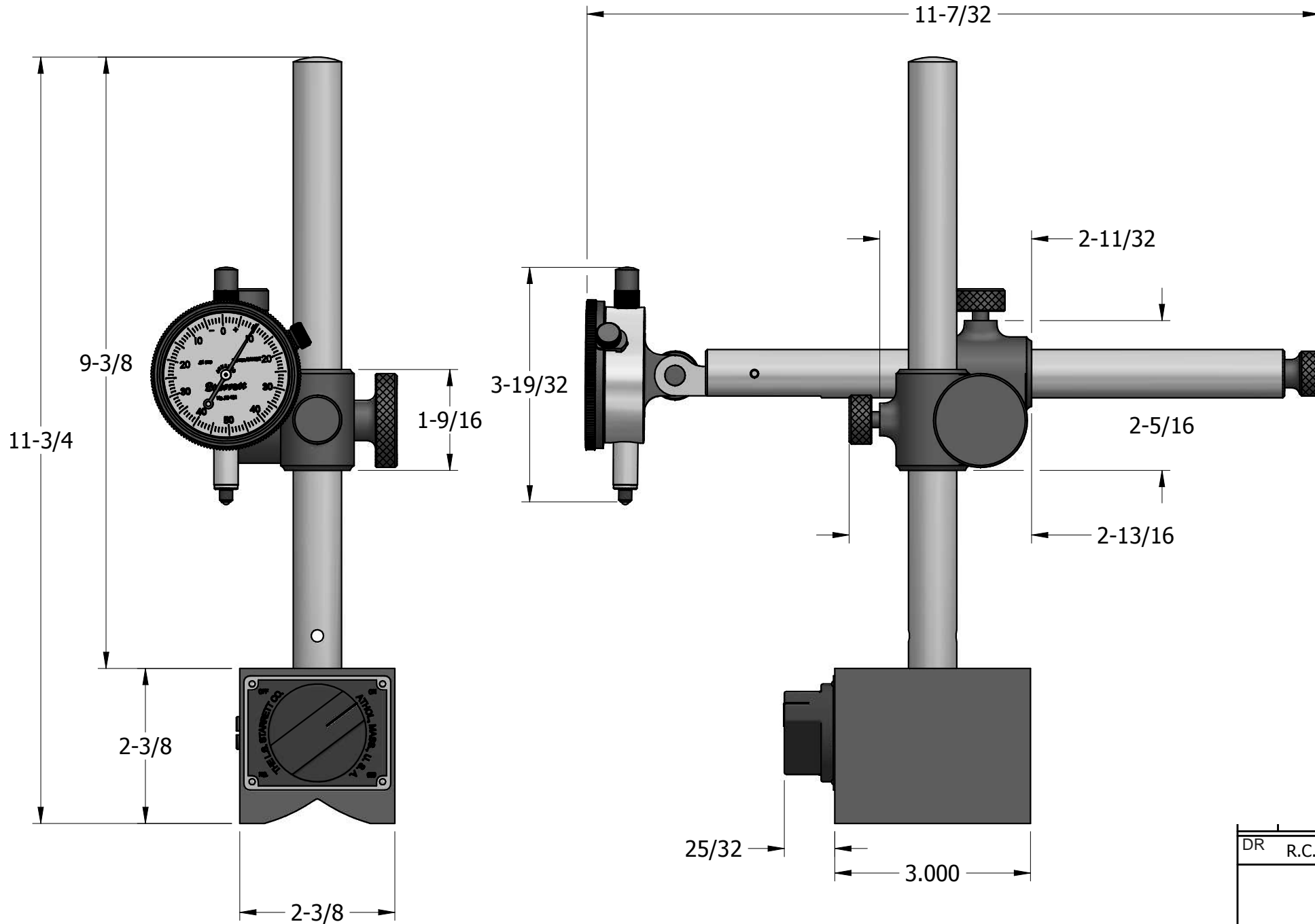
CUSTOMER DIMENSIONS

DO NOT
SEPARATE
PRINT FROM
WORK

LOT NO

OPER

TOOLS



DESCRIPTION DATE BY

DR R.C. CHK DATE

MAGNETIC BASE
W/INDICATOR
(METRIC)

THE L.S. STARRETT CO.
ATHOL, MASS.

FRACTIONAL TOLERANCE +- 1/64 UNLESS OTHERWISE NOTED