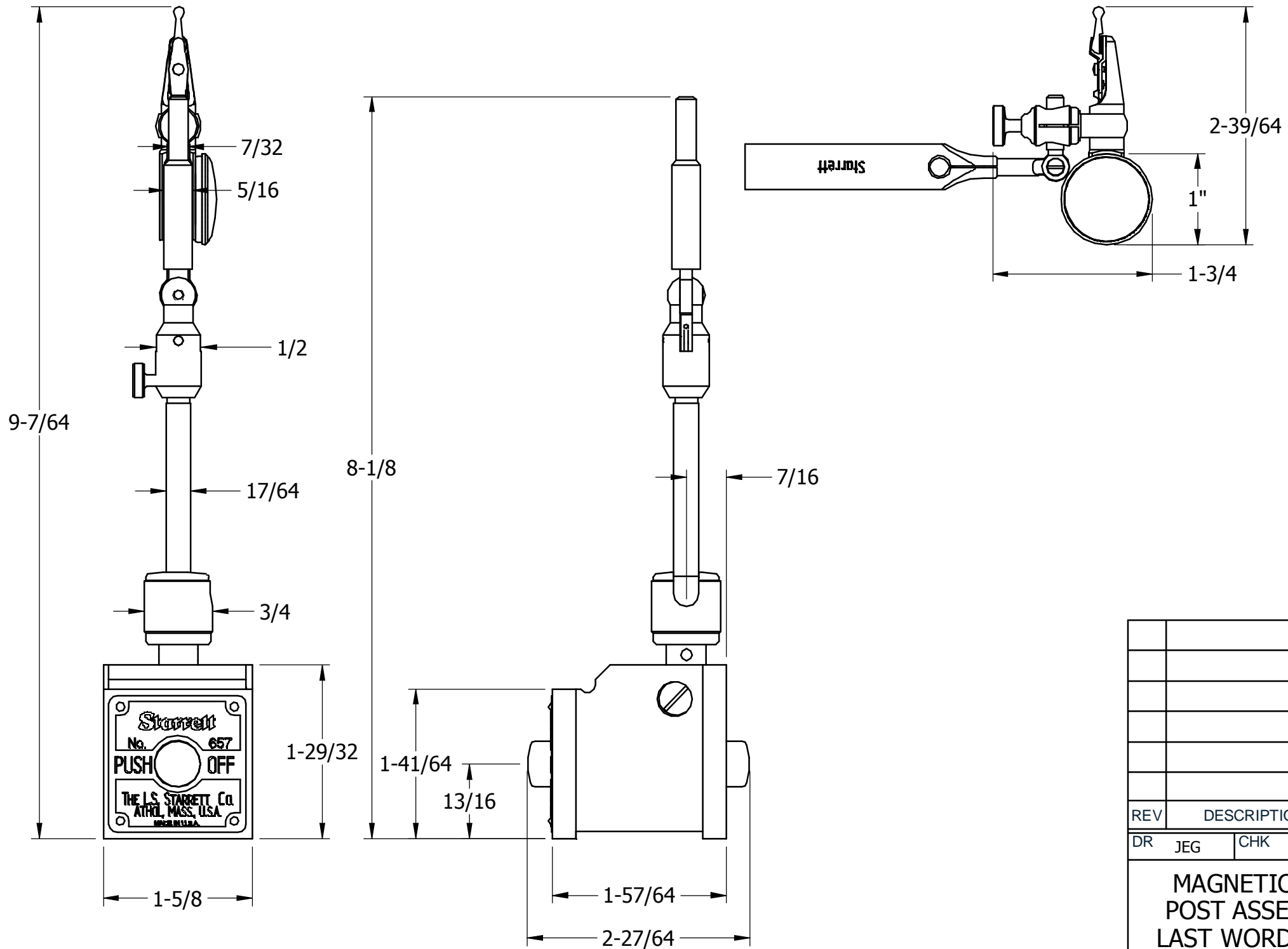


OPER

TOOLS



FRACTIONAL TOLERANCE +- 1/64 UNLESS OTHERWISE NOTED

REV	DESCRIPTION	DATE	BY
DR	JEG	CHK	DATE
<b>MAGNETIC BASE AND POST ASSEMBLY WITH LAST WORD INDICATOR</b> <b>THE L.S. STARRETT CO.</b> <b>ATHOL, MASS.</b>			