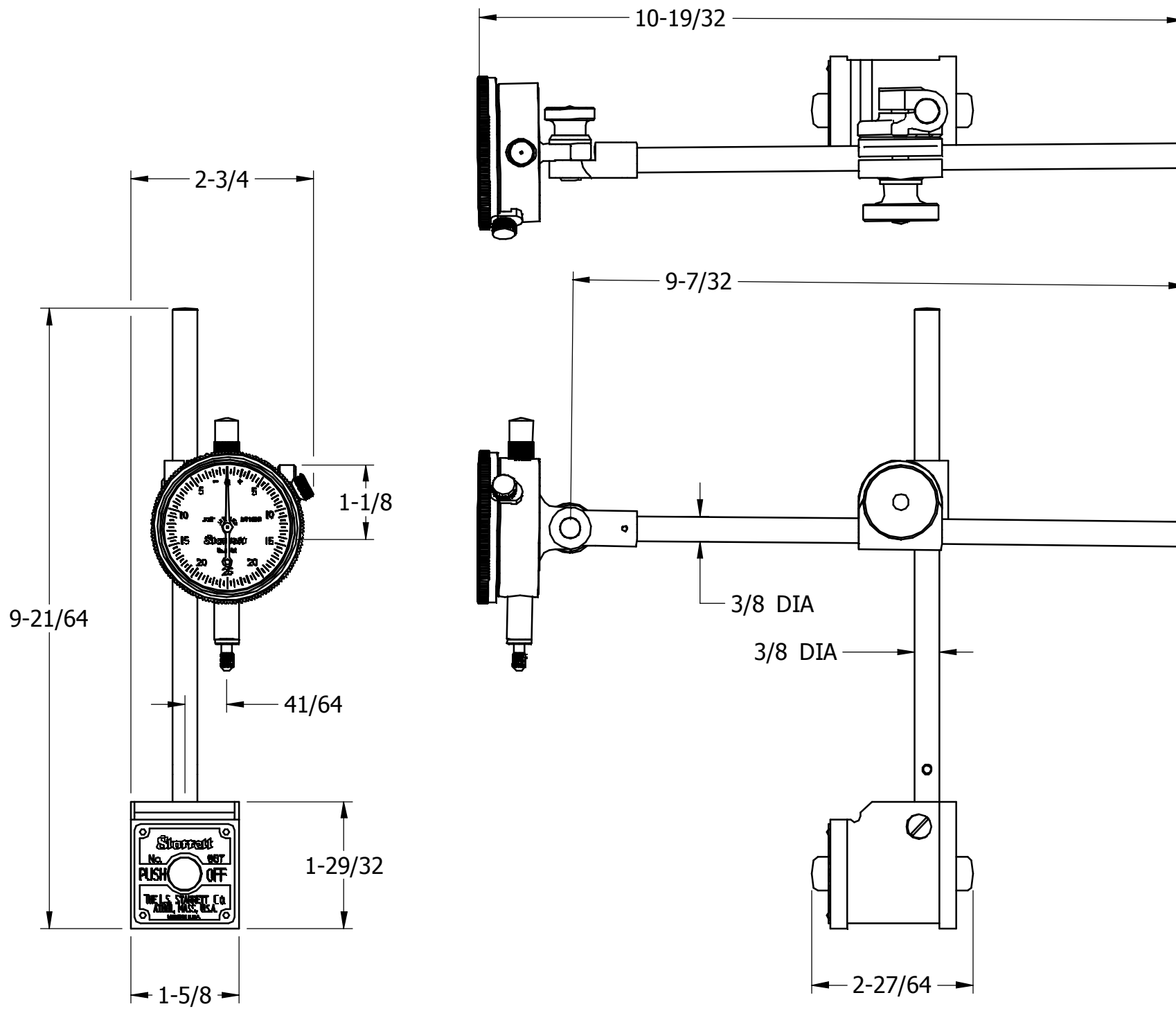


OPER

TOOLS



REV	DESCRIPTION	DATE	BY
DR	DSP	CHK	DATE

**MAGNETIC BASE
WITH INDICATOR
ASSEMBLY W/ CASE**

THE L.S. STARRETT CO.
ATHOL, MASS.

FRACTIONAL TOLERANCE +- 1/64 UNLESS OTHERWISE NOTED