

OPER

TOOLS

3/4
[19.05]

5/8
[15.88]

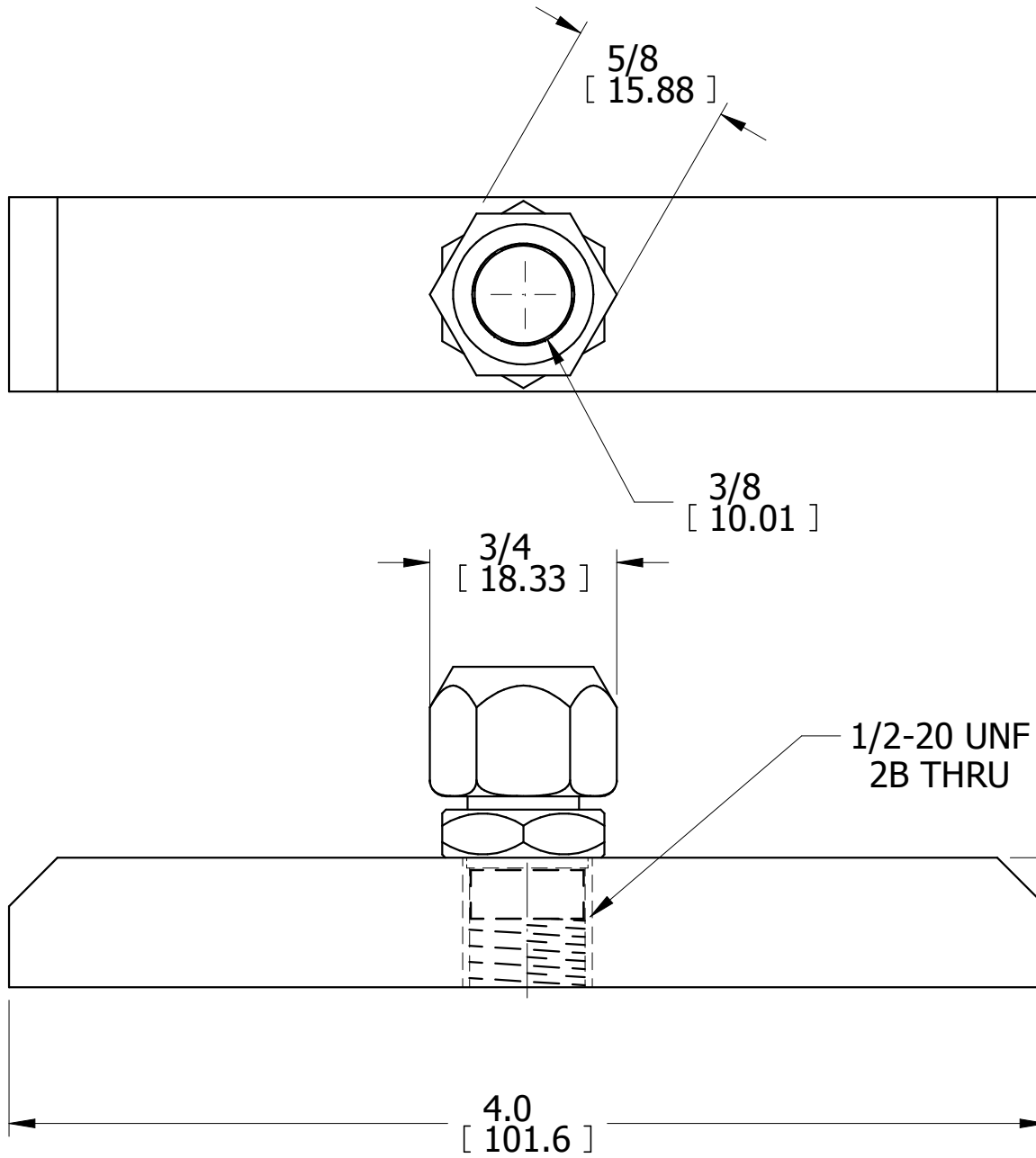
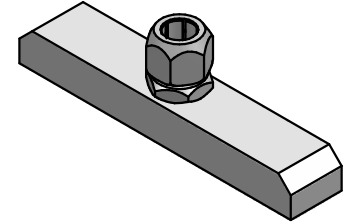
3/8
[10.01]

3/4
[18.33]

1/2-20 UNF
2B THRU

1/2
[12.7]

4.0
[101.6]



REV	DESCRIPTION	DATE	BY
-----	-------------	------	----

DR	CHK	DATE
----	-----	------

INDICATOR
DEPTH GAGE
BASE 4"

THE L.S. STARRETT CO.
ATHOL, MASS.

FRACTIONAL TOLERANCE +- 1/64 UNLESS OTHERWISE NOTED