

SH. 1
OF 1

CAT NO

643J

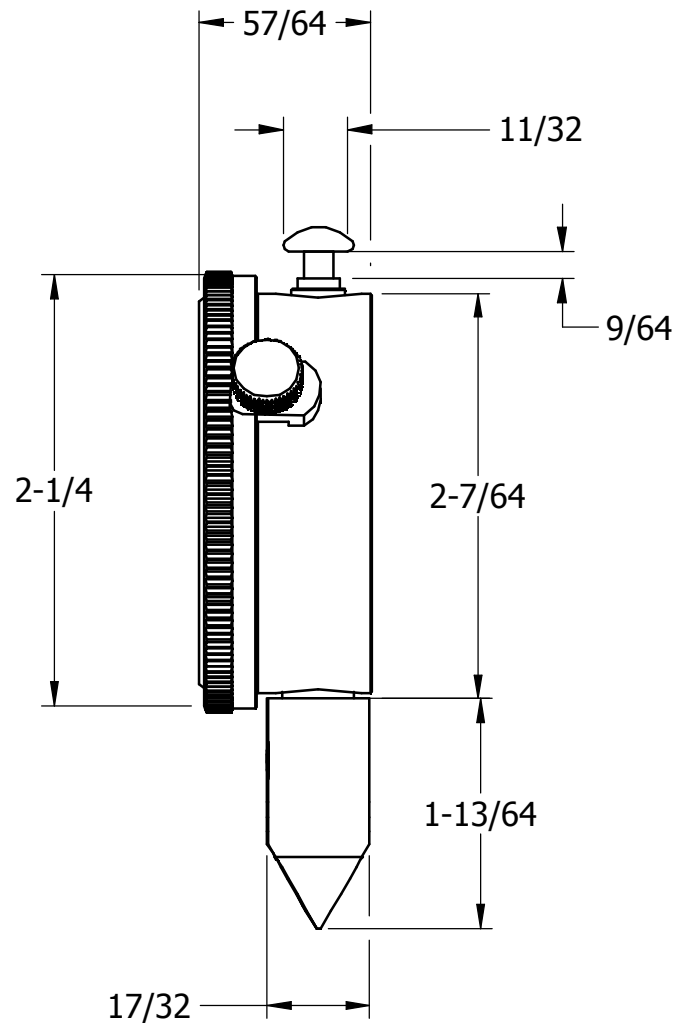
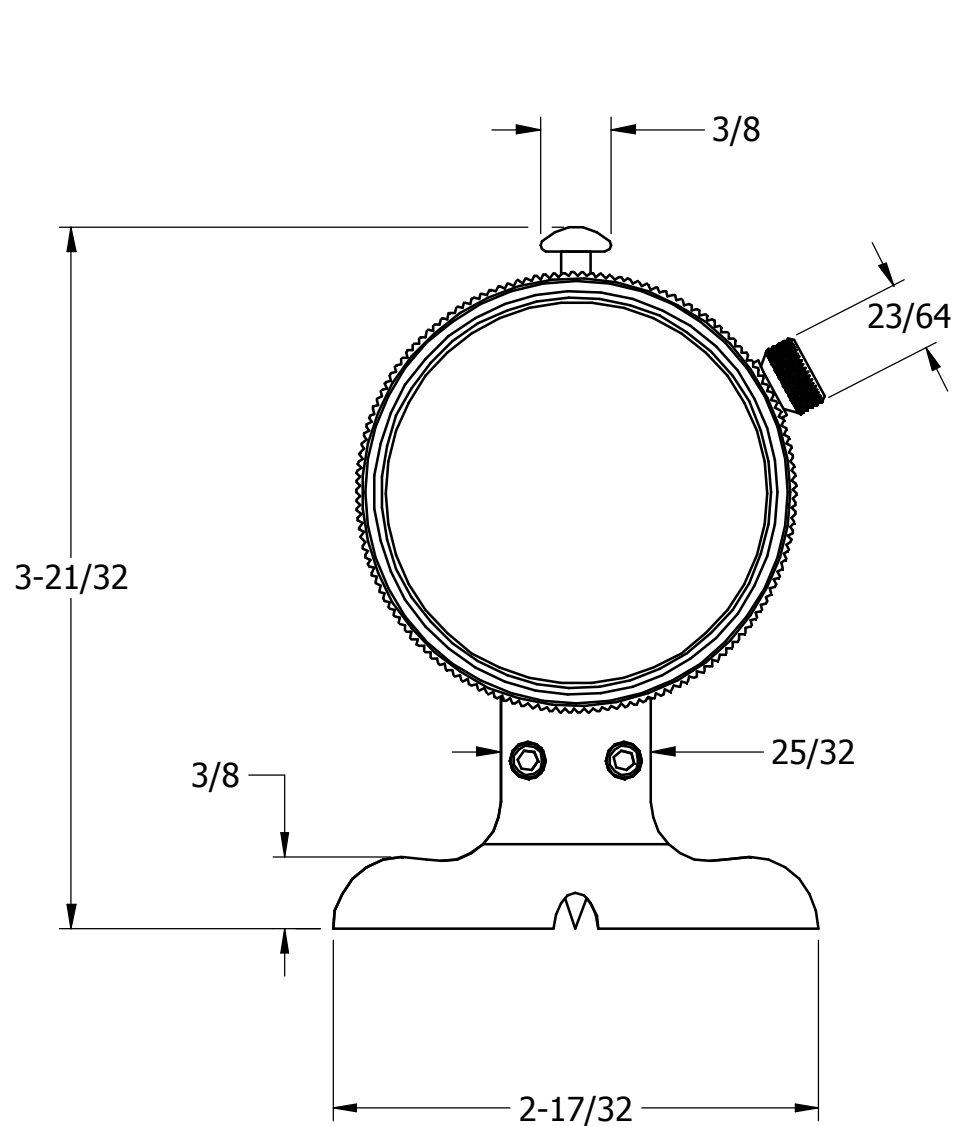
CUSTOMER DIMENSIONS

DO NOT
SEPARATE
PRINT FROM
WORK

LOT NO

OPER

TOOLS



REV	DESCRIPTION	DATE	BY
DR	DS	CHK	DATE
DIAL DEPTH GAGE ASSEMBLY			
THE L.S. STARRETT CO. ATHOL, MASS.			

FRACTIONAL TOLERANCE $\pm 1/64$ UNLESS OTHERWISE NOTED