

SH. 1  
OF 1

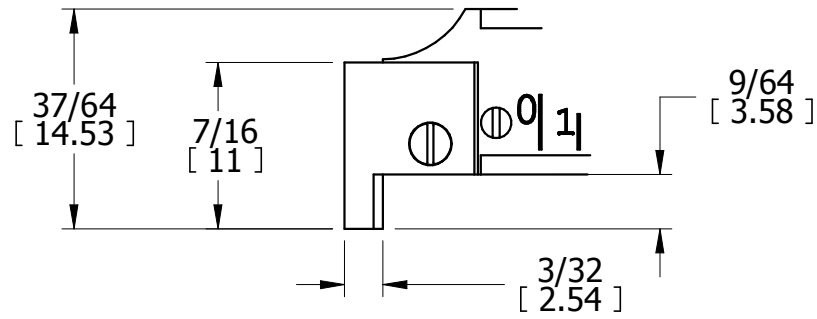
CAT NO

450-6

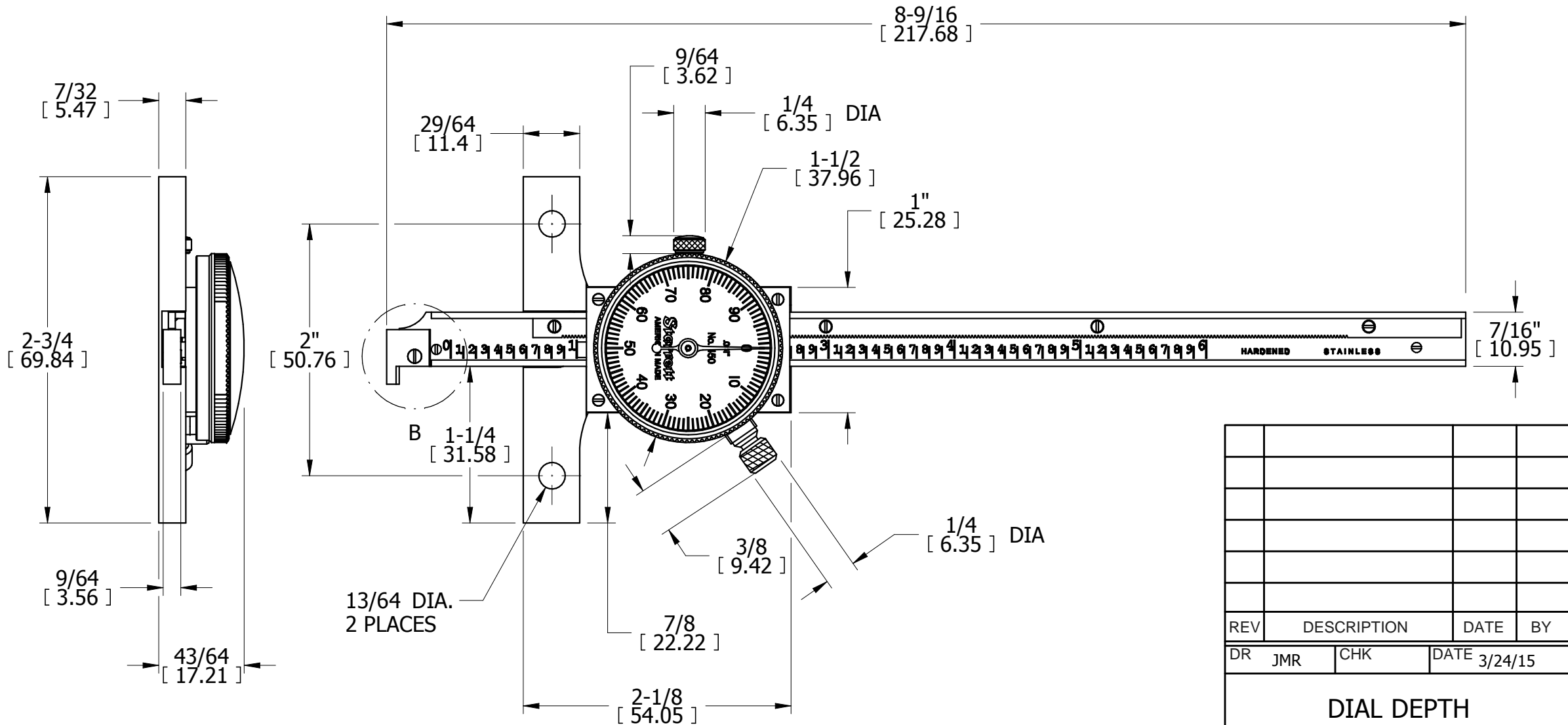
CUSTOMER DIMENSIONS

DO NOT  
SEPARATE  
PRINT FROM  
WORK

LOT NO



DETAIL B



REV	DESCRIPTION	DATE	BY
DR	JMR	CHK	DATE 3/24/15

DIAL DEPTH  
GAGE ASSEMBLY

THE L.S. STARRETT CO.  
ATHOL, MASS.

FRACTIONAL TOLERANCE +- 1/64 UNLESS OTHERWISE NOTED