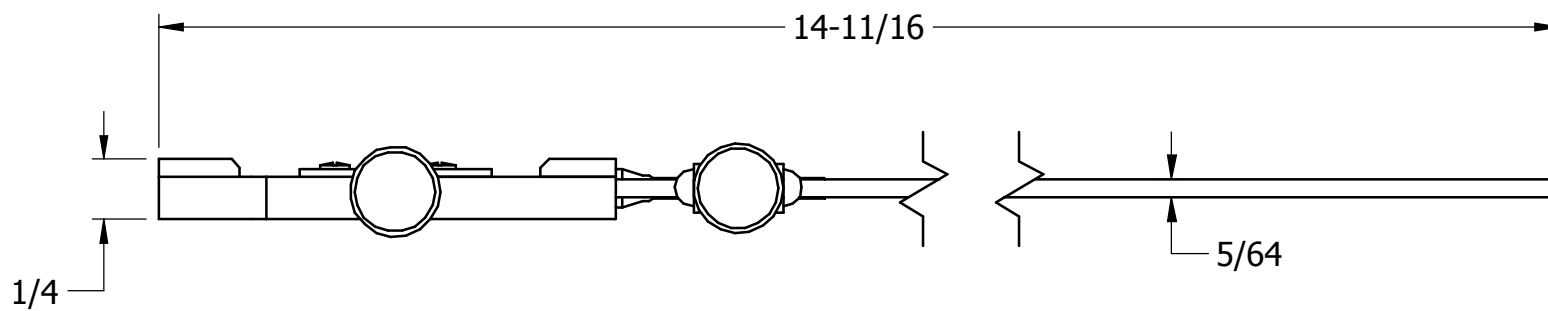
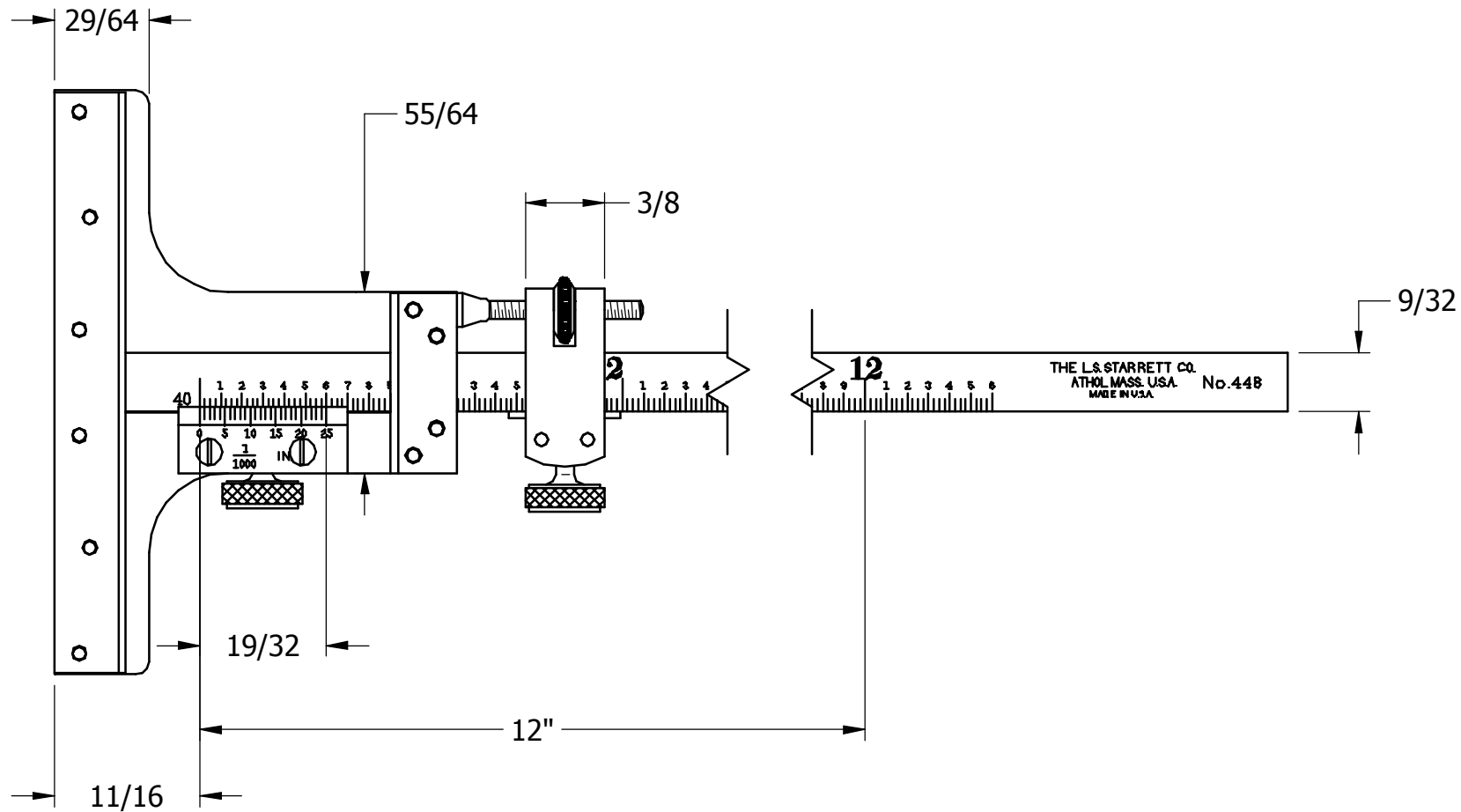


OPER

TOOLS




REV	DESCRIPTION	DATE	BY
DR	RBW	CHK	DATE

**12" - VERNIER  
DEPTH  
GAGE**

THE L.S. STARRETT CO.  
ATHOL, MASS.

FRACTIONAL TOLERANCE  $\pm 1/64$  UNLESS OTHERWISE NOTED