

SH. 1  
OF 1

CAT NO

387-24

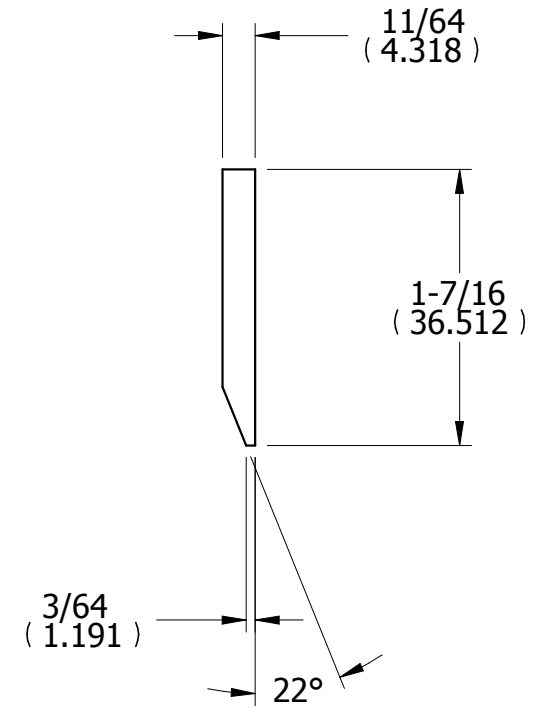
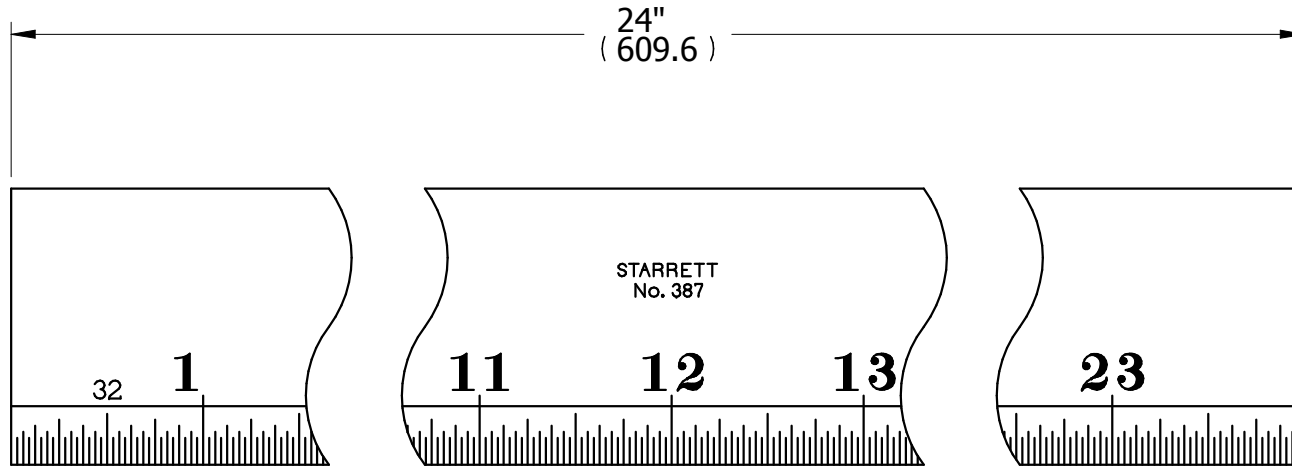
CUSTOMER DIMENSIONS

DO NOT  
SEPARATE  
PRINT FROM  
WORK

LOT NO

OPER

TOOLS



|  |  |  |  |
|--|--|--|--|
|  |  |  |  |
|  |  |  |  |
|  |  |  |  |
|  |  |  |  |
|  |  |  |  |
|  |  |  |  |
|  |  |  |  |
|  |  |  |  |

| REV | DESCRIPTION | DATE | BY |
|-----|-------------|------|----|
|-----|-------------|------|----|

|    |     |     |      |
|----|-----|-----|------|
| DR | RFS | CHK | DATE |
|----|-----|-----|------|

**STRAIGHT EDGE  
GRADUATED & BEVELED**

**THE L.S. STARRETT CO.  
ATHOL, MASS.**

FRACTIONAL TOLERANCE +- 1/64 UNLESS OTHERWISE NOTED