

SH. 1
OF 1

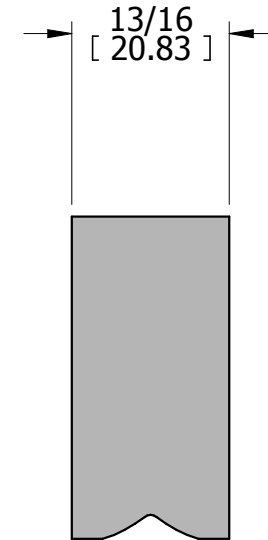
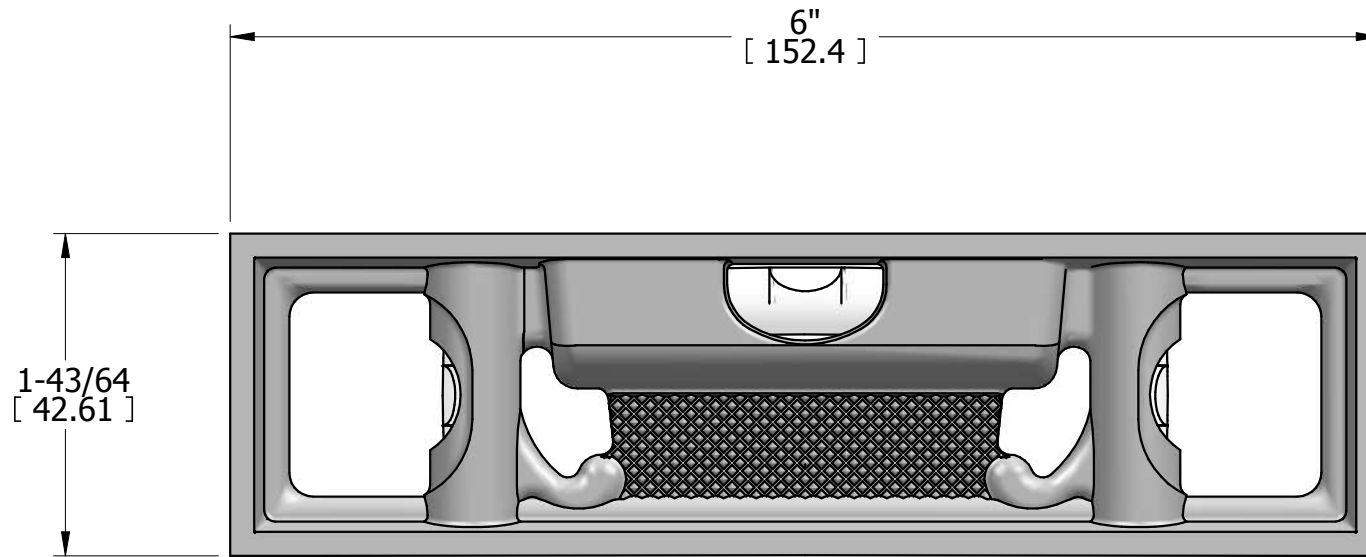
CAT NO

132-6

CUSTOMER DIMENSIONS

DO NOT
SEPARATE
PRINT FROM
WORK

LOT NO



REV	DESCRIPTION	DATE	BY
DR	CHK	DATE	

BENCH LEVEL
W/DOUBLE PLUMBS
ASSEMBLY

THE L.S. STARRETT CO.
ATHOL, MASS.

FRACTIONAL TOLERANCE +- 1/64 UNLESS OTHERWISE NOTED