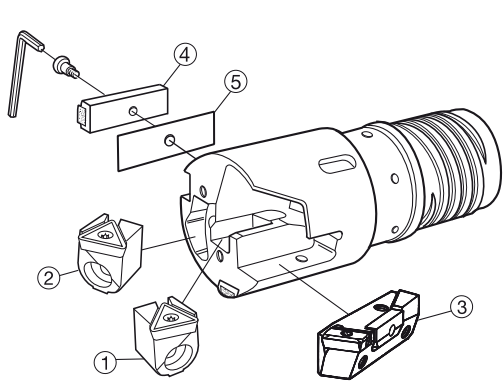


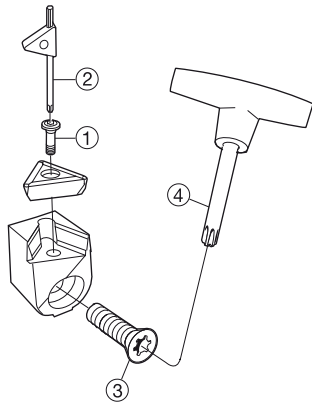
# T-MAX® solid drill head 424.10



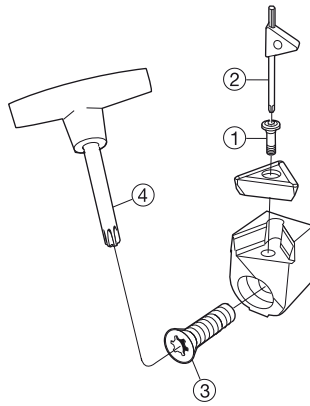
1	2	3	4	5
Central cartridge	Intermediate cartridge	Peripheral cartridge	Support pad	Shim
See below	See below	See below	See page 38.	See page 38.

## T-Max® U cartridges

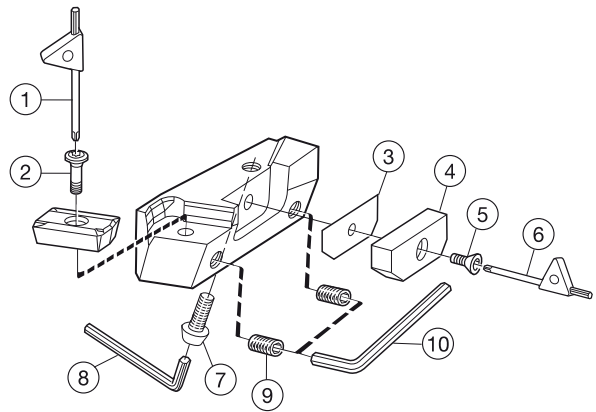
Central cartridges  
L430.31



Intermediate cartridge  
R430.30



Peripheral cartridge  
R430.28



Central cartridge	Intermediate cartridge	1	2	3	4
Diameter range, mm (inch)	Diameter range, mm (inch)	Screw	Key (Torx Plus)	Screw	Key (Torx Plus)
<b>L430.31-1216-16</b> 63.50-82.55 (2.500-3.250) 107.95-130.00 (4.240-5.118)	<b>R430.30-1216-16</b> 63.50-90.00 (2.500-3.543) 107.95-130.00 (4.240-5.118)	5513 020-26	5680 049-03 (9IP)	5513 020-26	5680 048 03 (20IP)
<b>L430.31-1522-22</b> 85.00-105.00 (3.346-4.134)	<b>R430.30-1522-22</b> 95.00-105.00 (3.740-4.134)	5513 020-25	5680 049-02 (15IP)	5513 020-26	5680 048 03 (20IP)

Peripheral cartridge	1	2	4	5	6	7	8	9	10
Diameter range, mm (inch)	Key (Torx Plus)	Screw	Insert protection pad	Screw	Key (Torx Plus)	Screw	Key (mm)	Screw	Key (mm)
<b>R430.28-1516-16</b> 63.50-71.45 (2.500-2.813) 107.95-120.65 (4.250-4.750)	5680 049-03 (9IP)	5513 020-24	5636 030-01	154.3-835	5680 049-03 (9IP)	430.21-825	3021 010-040 (4.0)	3214 010-357	174.1-864 (3.0)
<b>R430.28-1822-22</b> 75.00-105.00 (2.953-4.134) 125.00-130.00(4.921-5.118)	5680 049-02 (15IP)	5513 020-25	5636 030-02	154.3-835	5680 049-03 (9IP)	430.21-825	3021 010-040 (4.0)	3214 010-357	174.1-864 (3.0)

	3				
	Shim mm (inch)				
R430.28-1516-16	5549 024-01 0.1 (.004)	5549 024-02 0.2 (.006)	5549 024-03 0.4 (.016)	5549 024-04 0.8 (.031)	
R430.28-1822-22	5549 024-05 0.1 (.004)	5549 024-06 0.2 (.006)	5549 024-07 0.4 (.016)	5549 024-08 0.8 (.031)	

