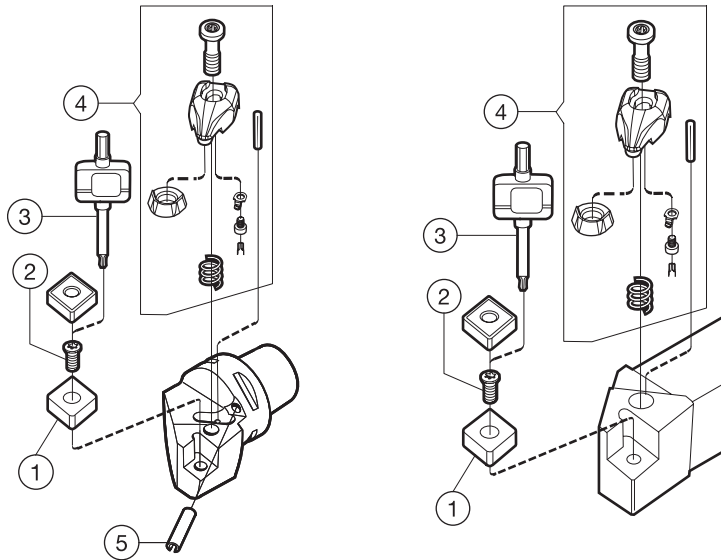






## CoroTurn® RC rigid clamp design for ceramic inserts

Clamp set for flat insert without hole



		1	2	3	4) <sup>1)2)</sup>	5	
		Shim (For insert thickness)	Shim screw	Key (Torx Plus)	Complete clamp set	Coolant nozzle	
 CCBNR/L 2525M12-4 CCBNR/L 3225P12-4 CCBNR/L 3225P16-4	Coromant Capto®	C4-CCRNR/L-22050-12-4 C5-CCRNR/L-27060-12-4 C6-CCRNR/L-35065-12-4	5322 234-02 (7.94) 5322 234-01 (4.76) <sup>2)</sup>	5513 020-02	5680 049-01 (15IP)	5412 034-021 5412 032-021 <sup>3)</sup> 5412 028-021 <sup>4)</sup>	5691 045-01 5691 045-01 5691 045-01
		C5-CCRNR/L-27060-16-4 C6-CCRNR/L-35065-16-4	5322 234-04 (7.94) 5322 234-03 (6.35) <sup>2)</sup>	5513 020-07	5680 043-14 (20IP)	5412 034-031 5412 032-031 <sup>3)</sup> 5412 028-031 <sup>4)</sup>	5691 045-01 5691 045-01
		C4-CCLNR/L-27050-12-4 C5-CCLNR/L-35060-12-4 C6-CCLNR/L-45065-12-4	5322 234-02 (7.94) 5322 234-01 (4.76) <sup>2)</sup>	5513 020-02	5680 049-01 (15IP)	5412 034-021 5412 032-021 <sup>3)</sup> 5412 028-021 <sup>4)</sup>	5691 045-01 5691 045-01 5691 045-01
		C5-CCLNR/L-35060-16-4 C6-CCLNR/L-45065-16-4	5322 234-04 (7.94) 5322 234-03 (6.35) <sup>2)</sup>	5513 020-07	5680 043-14 (20IP)	5412 034-031 5412 032-031 <sup>3)</sup> 5412 028-031 <sup>4)</sup>	5691 045-01 5691 045-01
 CDJNR/L 2525M15-4 CDJNR/L 3225P15-4 CDJNR/L 3232P15-4 CDNNR/L 3225P15-4 CDNNR/L 3225P15-4	C5-CDJNR/L-35060-15-4	5322 266-03 (7.94) 5322 266-01 (4.76) <sup>2)</sup> 5322 266-02 (6.35) <sup>2)</sup>	5513 020-02	5680 049-01 (15IP)	5412 034-021 5412 032-021 <sup>3)</sup> 5412 028-021 <sup>4)</sup>	– 5691 045-01	
	C6-CDJNR/L-45065-15-4	5322 266-01 (4.76) <sup>2)</sup> 5322 266-02 (6.35) <sup>2)</sup>			5412 032-021 <sup>3)</sup> 5412 028-021 <sup>4)</sup>	5691 045-01	
		5322 266-03 (7.94) 5322 266-01 (4.76) <sup>2)</sup> 5322 266-02 (6.35) <sup>2)</sup>	5513 020-02	5680 049-01 (15IP)	5412 034-021 5412 032-021 <sup>3)</sup> 5412 028-021 <sup>4)</sup>	–	

## CoroTurn® RC rigid clamp design for ceramic inserts

		1	2	3	4 <sup>1)2)</sup>	5
Shank holders	Coromant Capto®	Shim (For insert thickness)	Shim screw	Key (Torx Plus)	Complete clamp set	Coolant nozzle
						
CSBNR/L 2525M12-4		5322 425-02 (7.94) 5322 425-01 (4.76) <sup>2)</sup>	5513 020-02	5680 049-01 (15IP)	5412 034-021 5412 032-021 <sup>3)</sup> 5412 028-021 <sup>4)</sup>	–
CSDNN 2525M12-4 CSDNN 3225P12-4	C4-CSDNN-00050-12-4 C5-CSDNN-00060-12-4 C6-CSDNN-00065-12-4	5322 425-02 (7.94) 5322 425-01 (4.76) <sup>2)</sup>	5513 020-02	5680 049-01 (15IP)	5412 034-021 5412 032-021 <sup>3)</sup> 5412 028-021 <sup>4)</sup>	5691 045-01 5691 045-01 5691 045-01
	C5-CSDNN-00060-15-4 C6-CSDNN-00065-15-4	5322 425-05 (7.94) 5322 425-03 (6.35) <sup>2)</sup>	5513 020-07	5680 043-14 (20IP)	5412 034-031 5412 032-031 <sup>3)</sup> 5412 028-031 <sup>4)</sup>	5691 045-01 5691 045-01 5691 045-01
CSKNR/L 2525M12-4	C4-CSKNR/L-27050-12-4 C5-CSKNR/L-35060-12-4 C6-CSKNR/L-45065-12-4	5322 425-02 (7.94) 5322 425-01 (4.76) <sup>2)</sup>	5513 020-02	5680 049-01 (15IP)	5412 034-021 5412 032-021 <sup>3)</sup> 5412 028-021 <sup>4)</sup>	5691 045-01 5691 045-01 5691 045-01
CSRNR/L 2525M12-4 CSRNR/L 3225P12-4	C4-CSRNR/L-22050-12-4 C5-CSRNR/L-27060-12-4 C6-CSRNR/L-35065-12-4	5322 425-02 (7.94) 5322 425-01 (4.76) <sup>2)</sup>	5513 020-02	5680 049-01 (15IP)	5412 034-021 5412 032-021 <sup>3)</sup> 5412 028-021 <sup>4)</sup>	5691 045-01 5691 045-01 5691 045-01
CSRNR/L 3225P15-4	C5-CSRNR/L-27060-15-4 C6-CSRNR/L-35065-15-4	5322 425-05 (7.94) 5322 425-03 (6.35) <sup>2)</sup>	5513 020-07	5680 043-14 (20IP)	5412 034-031 5412 032-031 <sup>3)</sup> 5412 028-031 <sup>4)</sup>	5691 045-01 5691 045-01 5691 045-01
CSSNR/L 2525M12-4 CSSNR/L 2525M12-4 CSRNR/L 3225P12-4	C4-CSSNR/L-27042-12-4 C4-CSSNR/L-27042-12-4 C5-CSSNR/L-35052-12-4 C6-CSSNR/L-45056-12-4	5322 425-02 (7.94) 5322 425-01 (4.76) <sup>2)</sup>	5513 020-02	5680 049-01 (15IP)	5412 034-021 5412 032-021 <sup>3)</sup> 5412 028-021 <sup>4)</sup>	5691 045-01 5691 045-01 5691 045-01
	C5-CSSNR/L-35050-15-4 C5-CSSNR/L-35050-15-4 C5-CSSNR/L-45054-15-4	5322 425-05 (7.94) 5322 425-03 (6.35) <sup>2)</sup>	5513 020-07	5680 043-14 (20IP)	5412 034-031 5412 032-031 <sup>3)</sup> 5412 028-031 <sup>4)</sup>	5691 029-09 5691 045-01 5691 045-01
						
CTGRN/L 3232P22-4 CTGRN/L 3232P22-4 CTGRN/L 3232P22-4	C4-CTGRN/L-27050-22-4 C5-CTGRN/L-35060-22-4 C6-CTGRN/L-45065-22-4	5322 315-04 (4.76)	5513 020-02	5680 049-01 (15IP)	5412 034-021 5412 032-021 <sup>3)</sup> 5412 028-021 <sup>4)</sup>	5691 045-01 5691 045-01 5691 045-01

1) For clamp set parts, see page A281.

2) Optional part delivered to separate order

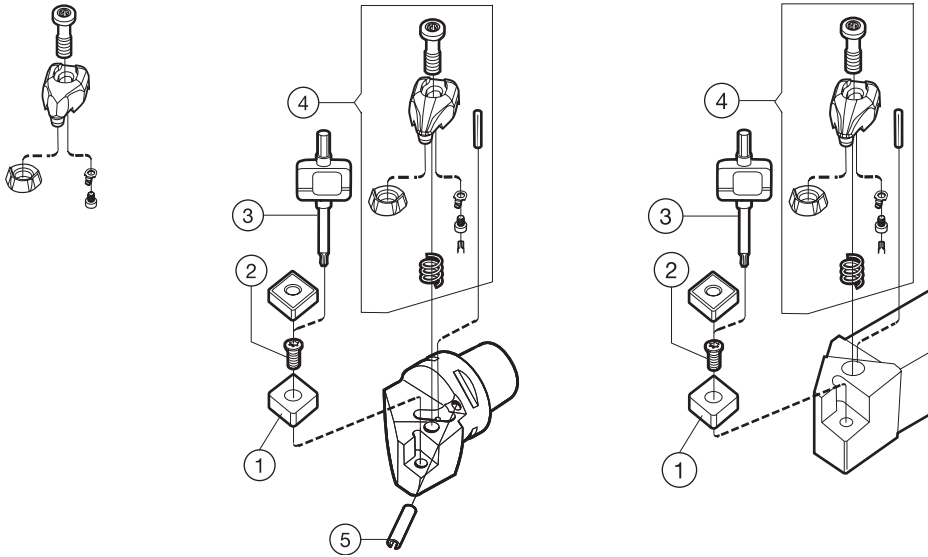
3) Clamp sets for ceramic inserts without hole

4) Clamp set for carbide inserts

Ordering example: 10 pieces 5322 234-02

## CoroTurn® RC rigid clamp design for ceramic inserts



Clamp set for insert with hole



		1	2	3	4 <sup>1)2)</sup>	5	
	Shank holders	Coromant Capto®	Shim (For insert thickness)	Shim screw	Key (Torx Plus)	Complete clamp set	Coolant nozzle
F	DCBNR/L 2525M12-2	C4-DCRNR/L-22050-12-2	5322 234-02 (7.94)	5513 020-02	5680 049-01 (15IP)	5412 032-021	5691 045-01
	DCBNR/L 3225P12-2	C5-DCRNR/L-27060-12-2	5322 234-01 (4.76) <sup>2)</sup>			5412 034-021 <sup>3)</sup>	5691 045-01
		C6-DCRNR/L-35065-12-2				5412 028-021 <sup>4)</sup>	5691 045-01
	DCBNR/L 3225P16-2	C5-DCRNR/L-27060-16-2	5322 234-04 (7.94)	5513 020-07	5680 043-14 (20IP)	5412 032-031	5691 045-01
		C6-DCRNR/L-35065-16-2	5322 234-03 (6.35) <sup>2)</sup>			5412 034-031 <sup>3)</sup>	5691 045-01
						5412 028-031 <sup>4)</sup>	
F	DCLNR/L 2525M12-2	C4-DCLNR/L-27050-12-2	5322 234-02 (7.94)	5513 020-02	5680 049-01 (15IP)	5412 032-021	5691 045-01
	DCLNR/L 3225P12-2	C5-DCLNR/L-35060-12-2	5322 234-01 (4.76) <sup>2)</sup>			5412 034-021 <sup>3)</sup>	5691 045-01
		C6-DCLNR/L-45065-12-2				5412 028-021 <sup>4)</sup>	5691 045-01
	DCLNR/L 2525M16-2	C5-DCLNR/L-35060-16-2	5322 234-04 (7.94)	5513 020-07	5680 043-14 (20IP)	5412 032-031	5691 045-01
		C6-DCLNR/L-45065-16-2	5322 234-03 (6.35) <sup>2)</sup>			5412 034-031 <sup>3)</sup>	5691 045-01
						5412 028-031 <sup>4)</sup>	
F	DCLNR/L 3232P16-2						
	DDNNN 5040T15-2		5322 266-03 (7.94)	5513 020-02	5680 049-01 (15IP)	5412 032-021	–
			5322 266-01 (4.76) <sup>2)</sup>			5412 034-021 <sup>3)</sup>	
		5322 266-02 (6.35) <sup>2)</sup>			5412 028-021 <sup>4)</sup>		
G	DDJNR/L 2525M15-2	C5-DDJNR/L-35060-15-2	5322 266-03 (7.94)	5513 020-02	5680 049-01 (15IP)	5412 032-021	5691 045-01
			5322 266-01 (4.76) <sup>2)</sup>			5412 034-021 <sup>3)</sup>	
			5322 266-02 (6.35) <sup>2)</sup>			5412 028-021 <sup>4)</sup>	
	DDJNR/L 3225P15-2	C6-DDJNR/L-45065-15-2	5322 266-03 (7.94)			5412 032-021	5691 045-01
			5322 266-01 (4.76) <sup>2)</sup>			–	
			5322 266-02 (6.35) <sup>2)</sup>			–	
G	DDNNR/L 3225P15-2		5322 266-03 (7.94)	5513 020-02	5680 049-01 (15IP)	5412 032-021	–
			5322 266-01 (4.76) <sup>2)</sup>			5412 034-021 <sup>3)</sup>	
			5322 266-02 (6.35) <sup>2)</sup>			5412 028-021 <sup>4)</sup>	

## CoroTurn® RC rigid clamp design for ceramic inserts

### Clamp set for insert with hole

		1	2	3	4 <sup>1)2)</sup>	5
Shank holders	Coromant Capto®	Shim (For insert thickness)	Shim screw	Key (Torx Plus)	Complete clamp set	Coolant nozzle
						
DSBNR/L 2525M12-2		5322 425-02 (7.94) 5322 425-01 (4.76) <sup>2)</sup>	5513 020-02	5680 049-01 (15IP)	5412 032-021 5412 034-021 <sup>3)</sup> 5412 028-021 <sup>4)</sup>	–
DSDNN 2525M12-2	C4-DSDNN-00050-12-2	5322 425-02 (7.94)	5513 020-02	5680 049-01 (15IP)	5412 032-021	5691 045-01
DSDNN 3225P12-2	C5-DSDNN-00060-12-2 C6-DSDNN-00065-12-2	5322 425-01 (4.76) <sup>2)</sup>			5412 034-021 <sup>3)</sup> 5412 028-021 <sup>4)</sup>	5691 045-01 5691 045-01
DSKNR/L 2525M12-2	C4-DSKNR/L-27050-12-2	5322 425-02 (7.94)	5513 020-02	5680 049-01 (15IP)	5412 032-021	5691 045-01
DSKNR/L 3225P12-2	C5-DSKNR/L-35060-12-2 C6-DSKNR/L-45065-12-2	5322 425-01 (4.76) <sup>2)</sup>			5412 034-021 <sup>3)</sup> 5412 028-021 <sup>4)</sup>	5691 045-01 5691 045-01
DSRNR/L 2525M12-2	C4-DSRNR/L-22050-12-2	5322 425-02 (7.94)	5513 020-02	5680 049-01 (15IP)	5412 032-021	5691 045-01
DSKNR/L 3225P12-2	C5-DSRNR/L-27060-12-2 C6-DSRNR/L-35065-12-2	5322 425-01 (4.76) <sup>2)</sup>			5412 034-021 <sup>3)</sup> 5412 028-021 <sup>4)</sup>	5691 045-01 5691 045-01
DSSNR/L 2525M12-2	C4-DSSNR/L-27042-12-2	5322 425-02 (7.94)	5513 020-02	5680 049-01 (15IP)	5412 032-021	5691 045-01
	C5-DSSNR/L-35052-12-2 C6-DSSNR/L-45056-12-2	5322 425-01 (4.76) <sup>2)</sup>			5412 034-021 <sup>3)</sup> 5412 028-021 <sup>4)</sup>	5691 045-01 5691 045-01
						
DTGRN/L 3232P22-2	C4-DTGRN/L-27050-22-2	5322 315-04 (4.76)	5513 020-02	5680 049-01 (15IP)	5412 032-021	5691 045-01
DTGRN/L 3232P22-2	C5-DTGRN/L-35060-22-2				5412 034-021 <sup>3)</sup>	
DTGRN/L 3232P22-2	C6-DTGRN/L-45065-22-2				5412 028-021 <sup>4)</sup>	

1) For clamp set parts, see page A281.

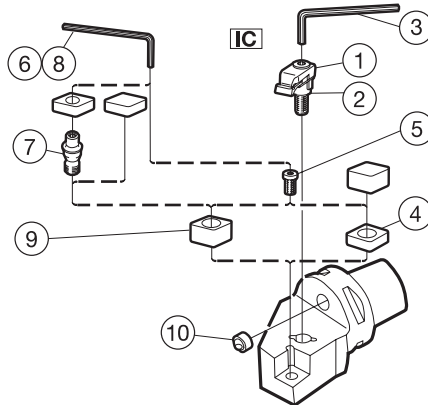
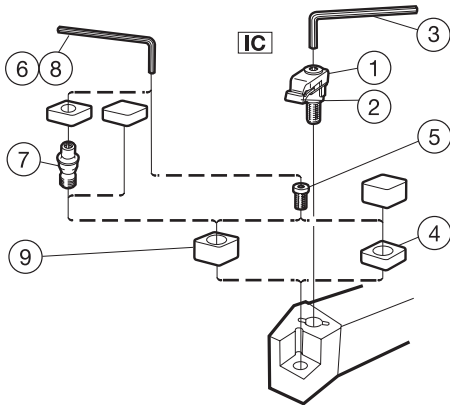
2) Optional part delivered to separate order

3) Clamp sets for ceramic inserts with hole

4) Clamp set for carbide inserts

Ordering example: 10 pieces 5322 234-02

## T-Max® top clamp design for ceramic inserts



Nozzle for Coromant Capto® cutting units

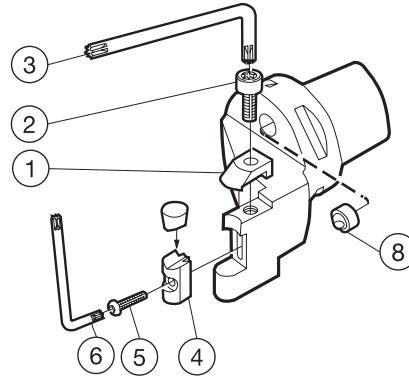
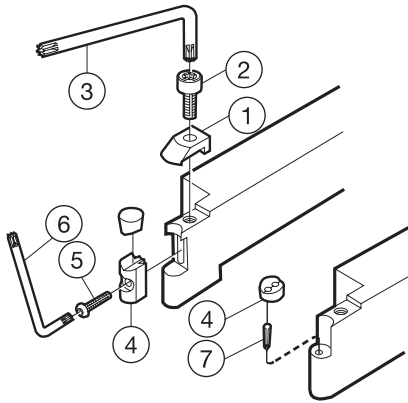
Cutting unit size	Nozzle
C3-C4	5691 029-01
C5-C6	5691 029-02
C8	5691 029-03

		1	2	3	4	5
Shank holders	Coromant Capto®	Clamp (ID)	Pressure plate (ID)	Key (mm)	Shim (For insert thickness)	Shim screw
CRDNN 2525M09-ID		5412 127-01	-	3021 010-040 (4.0)	5321 215-01 (3.18)	3212 100-206
CRDNN 2525M12-ID		5412 125-01	5192 020-01	3021 010-040 (4.0)	5322 141-01 (7.97)	5513 013-02
CRDNN 3225P12-ID						
CRSNR/L 2525M09-ID	C3-CRSNR/L-22040-09ID	5412 127-01	-	3021 010-040 (4.0)	5321 215-01 (3.18)	3212 100-206
CRSNR/L 2525M12-ID	C4-CRSNR/L-27050-12ID	5412 125-01	5192 020-01	3021 010-040 (4.0)	5322 141-01 (7.97)	5513 013-02
CRSNR/L 3225P12-ID	C5-CRSNR/L-35060-12ID					
	C6-CRSNR/L-45065-12ID					
CRSNR/L 3232P15-ID		5412 125-01	5192 020-01	3021 010-040 (4.0)	5321 215-02 (7.97)	3212 100-206
CRSNR/L 3232P19-ID		5412 125-01	5192 020-01	3021 010-040 (4.0)	5321 215-03 (7.97)	3212 100-257
CRSNR/L 5040T25-ID		5412 125-02	5192 020-01	3021 010-040 (4.0)	5322 141-05	5513 013-03
		6	7 <sup>1)</sup>	8 <sup>1)</sup>	9 <sup>1)</sup>	
Shank holders	Coromant Capto®	Key (mm/Torx Plus)	Centre pin (IP)	Key (mm)	Shim (For insert thickness)	
CRDNN 2525M09-ID		174.1-870 (2.0)	-	-	-	
CRDNN 2525M12-ID		5680 043-14 (20IP)	5313 032-02	174.1-863 (2.5)	5322 141-02 (4.76)	
CRDNN 3225P12-ID						
CRSNR/L 2525M09-ID	C3-CRSNR/L-22040-09ID	174.1-870 (2.0)	-	-	-	
CRSNR/L 2525M12-ID	C4-CRSNR/L-27050-12ID	5680 043-14 (20IP)	5313 032-02	174.1-863 (2.5)	5322 141-02 (4.76)	
CRSNR/L 3225P12-ID	C5-CRSNR/L-35060-12ID					
	C6-CRSNR/L-45065-12ID					
CRSNR/L 3232P15-ID		174.1-870 (2.0)	-	-	-	
CRSNR/L 3232P19-ID		174.3-863 (2.5)	-	-	-	
CRSNR/L 5040T25-ID		174.1-864 (3.0)	-	-	-	

1) Optional part delivered to separate order

Ordering example: 10 pieces 5412 127-01

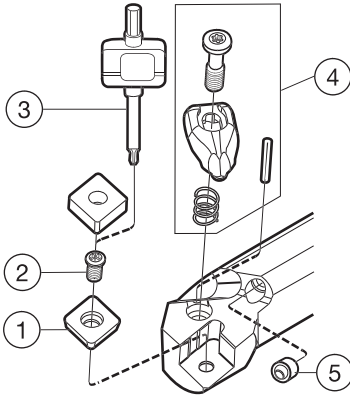
## T-Max® top clamp design for ceramic RCGX/RPGX inserts







Shank holders	Coromant Capto®	1 Clamp	2 Clamp screw	3 Key (Torx Plus/mm)	4 Seat	5 Seat screw
●						
CRDCN 3225P06-A		5412 105-01	3212 036-506	5680 043-17 (30IP)	5321 066-01	3212 010-157
CRDCN 3225P09-A	C5-CRDCN-00060-09AV	5412 100-01	3212 035-452	5680 043-16 (27IP)	5321 065-01	3212 106-352
CRDCN 3225P12-A	C5-CRDCN-00060-12AV	5412 100-02	3212 036-504	5680 043-17 (30IP)	5321 065-02	3212 105-453
CRDCN 5040T12-ID		5412 100-02	3212 036-504	5680 043-17 (30IP)	5321 210-02	-
CRDCN 5040T15-ID		5412 126-01	-	3021 010-040 (4.0)	5321 210-03	-
CRDCN 5040T19-ID		5412 126-02	-	3021 010-040 (4.0)	5321 210-04	-
CRDCN 5040T25-ID		5412 126-02	-	3021 010-040 (4.0)	5321 210-05	-
CRDCR/L 3225P09-A		5412 100-01	3212 035-452	5680 043-16 (27IP)	5321 065-01	3212 106-352
CRDCR/L 3225P12-A		5412 100-02	3212 036-504	5680 043-17 (30IP)	5321 065-02	3212 105-453
	C5-CRSCR/L-35060-09V	5412 100-01	3212 035-452	5680 043-16 (27IP)	5321 065-01	3212 106-352
	C5-CRSCR/L-35060-12V	5412 100-02	3212 036-504	5680 043-17 (30IP)	5321 065-02	3212 105-453
R 176.9-3226-06		5412 110-02	3212 036-506	5680 043-17 (30IP)	5321 066-01	3212 010-157
L 176.9-3226-06		5412 110-01	3212 036-506	5680 043-17 (30IP)	5321 066-01	3212 010-157
Shank holders	Coromant Capto®	6 Key (mm/Torx Plus)	7 Seat pin	8 Nozzle		
●						
CRDCN 3225P06-A		174.1-870 (2.0)	-	-		
CRDCN 3225P09-A	C5-CRDCN-00060-09AV	5680 043-12 (10IP)	-	5691 029-02		
CRDCN 3225P12-A	C5-CRDCN-00060-12AV	5680 043-15 (25IP)	-	5691 029-02		
CRDCN 5040T12-ID		-	3113 030-355	-		
CRDCN 5040T15-ID		-	3113 030-355	-		
CRDCN 5040T19-ID		-	3113 030-406	-		
CRDCN 5040T25-ID		-	3113 030-406	-		
CRDCR/L 3225P09-A		5680 043-12 (10IP)	-	-		
CRDCR/L 3225P12-A		5680 043-15 (25IP)	-	-		
	C5-CRSCR/L-35060-09V	5680 043-12 (10IP)	-	5691 029-02		
	C5-CRSCR/L-35060-12V	5680 043-15 (25IP)	-	5691 029-02		
R 176.9-3226-06		174.1-870 (2.0)	-	-		
L 176.9-3226-06		174.1-870 (2.0)	-	-		

Ordering example: 10 pieces 5412 105-01

## CoroTurn® RC rigid clamp design



	1	2	3	4 <sup>1)2)</sup>	5
Shank holders	Shim screw	Shim (For insert thickness)	Key (Torx Plus)	Complete clamp set	Coolant nozzle
					
A25T-DCLNR/L 09	5322 236-04	5513 020-04	5680 051-03	5412 028-011	5691 029-06
A25T-DCLNR/L 12	5322 236-03	5513 020-02	5680 049-01	5412 028-021	5691 029-06
A32U-DCLNR/L 12				5412 032-021 <sup>3)</sup>	–
				5412 034-021 <sup>4)</sup>	
A40V-DCLNR/L 12	5322 234-01	5513 020-02 5322 234-02 (7.97) <sup>2)</sup>	5680 049-01	5412 028-021 5412 032-021 <sup>3)</sup> 5412 034-021 <sup>4)</sup>	–
A50W-DCLNR/L 16	5322 234-03	5513 020-07 5322 234-04 (7.97) <sup>2)</sup>	5680 043-14	5412 028-031 5412 032-031 <sup>3)</sup> 5412 034-031 <sup>4)</sup>	–
					
A25T-DDUNR/L 11	5322 267-01	5513 020-04	5680 051-03	5412 028-011 <sup>1)</sup>	5691 029-06
A32U-DDUNR/L 11					–
A40V-DDUNR/L 15	5322 266-02	5513 020-02	5680 049-01	5412 028-021	–
A50W-DDUNR/L 15		5322 266-01 (4.76) <sup>2)</sup> 5322 266-03 (7.97) <sup>2)</sup>		5412 0328-021 <sup>3)</sup> 5412 034-021 <sup>4)</sup>	
					
A25T-DSKNR/L 09	5322 426-01	5513 020-04	5680 051-03	5412 028-011	5691 029-06
A25T-DSKNR/L 12	5322 426-02	5513 020-02	5680 049-01	5412 028-021	5691 029-06
A32U-DSKNR/L 12				5412 032-021 <sup>3)</sup>	–
				5412 034-021 <sup>4)</sup>	
A40V-DSKNR/L 12	5322 425-01	5513 020-02 5322 425-02 (7.97) <sup>2)</sup>	5680 049-01	5412 028-021 5412 032-021 <sup>3)</sup> 5412 034-021 <sup>4)</sup>	–
					
A25T-DTFNR/L 16	5322 316-01	5513 020-04	5680 051-03	5412 028-011	5691 029-06
A32U-DTFNR/L 16					
A40V-DTFNR/L 22	5322 315-04	5513 020-02	5680 049-01	5412 028-021	–
A50W-DTFNR/L 22				5412 032-021 <sup>3)</sup> 5412 034-021 <sup>4)</sup>	

1) For clamp set parts, see page A281.

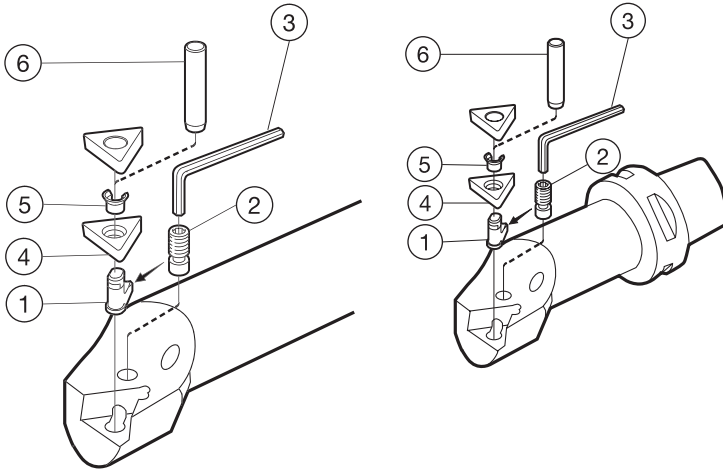
2) Optional part delivered to separate order



3) Clamp sets for ceramic inserts without hole

4) Clamp sets for ceramic inserts without hole

Ordering example: 10 pieces 5322 236-04

## T-Max P lever design



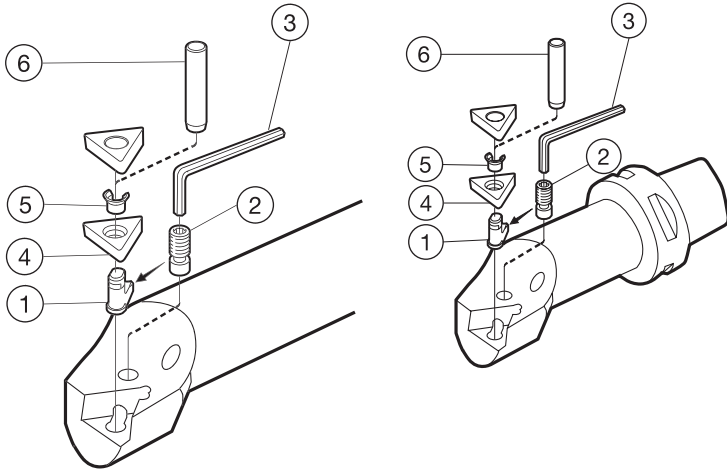
Shank holders	Coromant Capto®	1 Lever	2 Screw	3 Key (mm)	4 Shim	For insert Thickness	Radius	5 Shim pin	6 Shim pin punch
 S16R-PCLNR/L 09 S20S-PCLNR/L 09 S25T-PCLNR/L 09	C3-PCLNR/L- 13075-09	174.3-845-1	174.3-829	170.3-864 (1.98)	-	-	-	-	-
	C3-PCLNR/L- 17090-09								
	C4-PCLNR/L- 13080-09								
	C4-PCLNR/L- 17090-09								
	C5-PCLNR/L- 13080-09 C5-PCLNR/L- 17090-09								
S25T-PCLNR/L 12	C3-PCLNR/L- 17090-12 C4-PCLNR/L- 17090-12 C5-PCLNR/L- 17090-12 C6-PCLNR/L- 17100-12	438.3-841-1	438.3-832M	174.1-863 (2.5)	-	-	-	-	-
S32U-PCLNR/L 12		174.3-848M	174.3-858	174.1-864 (3.0)	171.31-850M	4.76	0.4 – 1.6	174.3-861	174.3-871
S40V-PCLNR/L 12	C3-PCLNR/L- 22064-12	174.3-841M	174.3-821	174.1-864 (3.0)	171.31-850M	4.76	0.4 – 1.6	174.3-861	174.3-871
	C3-PCLNR/L- 22096-12								
	C4-PCLNR/L- 22110-12								
	C4-PCLNR/L- 27080-12								
	C4-PCLNR/L- 27120-12								
	C5-PCLNR/L- 22110-12 C5-PCLNR/L- 27140-12 C5-PCLNR/L- 35100-12 C6-PCLNR/L- 22110-12								
S50W-PCLNR/L 16	C5-PCLNR/L- 35150-16	438.3-840	438.3-831	174.1-864 (3.0)	171.31-852	6.35	0.4 – 2.4	174.3-864	174.3-873
	C6-PCLNR/L- 27140-16								
	C6-PCLNR/L- 35175-16								
S50W-PCLNR/L 19		174.3-849M	174.3-822M	3021 010-040	171.31-851M	6.35	0.4 – 2.4	174.3-868	174.3-872
 S25T-PDUNR/L 11	C3-PDUNR/L-17090-11	5432 015-021	438.3-830	174.1-870 (1.98)	-	-	-	-	-
	C4-PDUNR/L-17090-11								
	C5-PDUNR/L-17090-11								
	C6-PDUNR/L-17100-11								
S32U-PDUNR/L 11	C3-PDUNR/L-22064-11	5432 001-01	174.3-820M	174.1-863 (2.5)	5322 255-01	4.76	0.4-0.8	174.3-860	174.3-870
	C3-PDUNR/L-22096-11				5322 255-02 <sup>1)</sup>	6.35	1.2 – 1.6		
	C4-PDUNR/L-22110-11 C5-PDUNR/L-22110-11								

<sup>1)</sup> Optional part delivered to separate order

Ordering example: 10 pieces 174.3-845-1



## T-Max P lever design

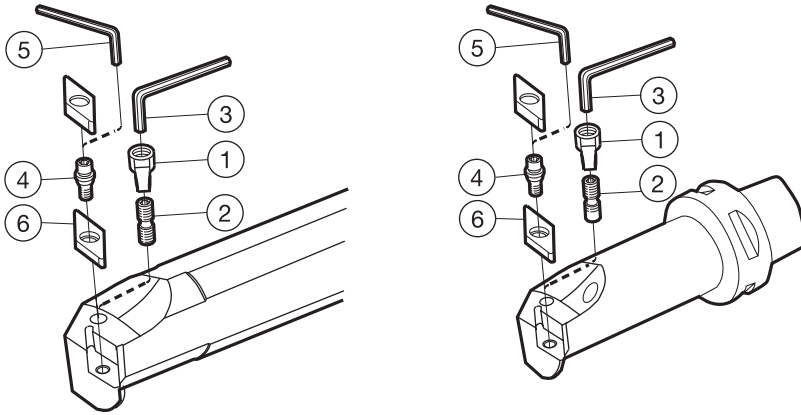



		1	2	3	4			5	6
Shank holders	Coromant Capto®	Lever	Screw	Key (mm)	Shim	For insert Thickness	Radius	Shim pin	Shim pin punch
S40V-PDUNR/L 15		174.3-847M	174.3-830	174.1-864 (3.0)	171.35-851M	6.35	0.4-0.8	174.3-861	174.3-871
S50W-PDUNR/L 15					171.35-850M <sup>1)</sup>	6.35	1.2 – 1.6		
					171.35-855 <sup>1)</sup>	4.76	1.2 – 1.6		
					171.35-855 <sup>1)</sup>	4.76	1.2 – 1.6		
	C4-PDUNR/L-27080-15	174.3-847M	174.3-830	174.1-864 (3.0)	171.35-851M	6.35	0.4-0.8	174.3-861	174.3-871
	C4-PDUNR/L-27120-15				171.35-850M <sup>1)</sup>	6.35 <sup>1)</sup>	6.35		
	C5-PDUNR/L-27140-15				171.35-856 <sup>1)</sup>	4.76 <sup>1)</sup>	0.4 – 0.8		
	C5-PDUNR/L-35100-15				171.35-855 <sup>1)</sup>	4.76 <sup>1)</sup>	1.2 – 1.6		
	C6-PDUNR/L-22110-15								
	C6-PDUNR/L-27140-15								
	C6-PDUNR/L-35175-15								
	S25T-PSKNR/L 12	C3-PSKNR/L-17090-12	438.3-841-1	438.3-832M	174.1-863 (2.5)	–	–	–	–
		C4-PSKNR/L-17090-12				174.3-851M	4.76	0.4 – 1.2	174.3-861
		C5-PSKNR/L-17090-12				174.3-856	4.76 <sup>1)</sup>	1.6 – 2.4	174.3-871
						174.3-851M	4.76	0.4 – 1.2	174.3-861
						174.3-856	174.3-856 <sup>1)</sup>	1.6 – 2.4	174.3-871
	S32U-PSKNR/L 12		174.3-848M	174.3-858	174.1-864 (3.0)	174.3-851M	4.76	0.4 – 1.2	174.3-861
						174.3-856	174.3-856 <sup>1)</sup>	1.6 – 2.4	174.3-871
	S40V-PSKNR/L 12	C3-PSKNR/L-22064-12	174.3-841M	174.3-821	174.1-864 (3.0)				
		C3-PSKNR/L-22096-12							
		C4-PSKNR/L-22110-12							
		C4-PSKNR/L-27080-12							
		C4-PSKNR/L-27120-12							
		C5-PSKNR/L-22110-12							
		C5-PSKNR/L-27140-12							
		C6-PSKNR/L-22110-12				174.3-857	6.35	0.4 – 2.4	174.3-864
									174.3-873
		C5-PSKNR/L-35100-15	438.3-840	438.3-831	174.1-864 (3.0)				
		C5-PSKNR/L-35150-15							
		C6-PSKNR/L-27140-15							
		C6-PSKNR/L-35175-15							

<sup>1)</sup> Optional part delivered to separate order

Ordering example: 10 pieces 174.3-847M

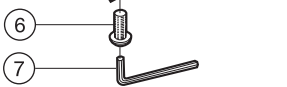
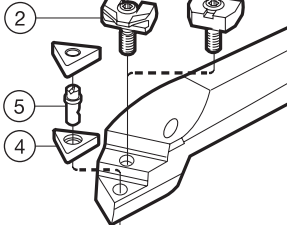
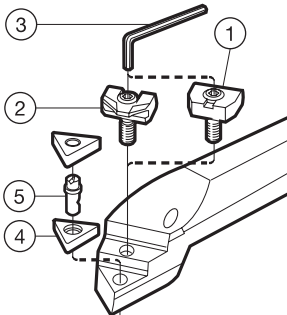
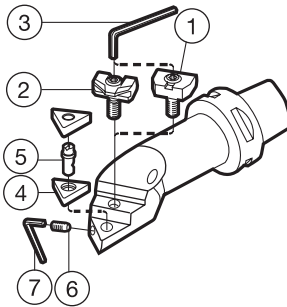
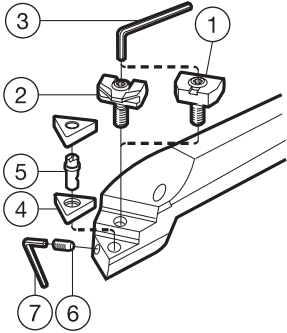
## T-Max P screw and top clamp design





Shank holders	Coromant Capto®	1 Clamp	2 Clamp screw	3 Key (mm)	4 Lock pin	5 Key (mm)	6 Shim	For insert Thickness	Radius
									
S40V-MVUNR/L 16	C4-MVUNR/L-27120-16 C5-MVUNR/L-27140-16 C6-MVUNR/L-22120-16 C6-MVUNR/L-27145-16 C6-MVUNR/L-35175-16	MC-12	MS-510	3021 011-532 (3.96)	MN-34L	174.1-870 (1.98)	MVN-322	4.76	0.4-1.2

Ordering example: 10 pieces MC-12

## T-Max P wedge design



		1	2	3
		Wedge set	Wedge clamp set	Key (mm)
Round shank tools	Coromant Capto®			
 S25T-PTFNR/L 16-W	C3-PTFNR/L-17090-16-W C4-PTFNR/L-17090-16-W C5-PTFNR/L-17090-16-W	170.38-823-2	–	174.1-864 (3.0)
S32U-PTFNR/L 16-W S40V-PTFNR/L 16-W	C3-PTFNR/L-22096-16-W C4-PTFNR/L-22110-16-W C4-PTFNR/L-27120-16-W C5-PTFNR/L-22110-16-W C5-PTFNR/L-27140-16-W C6-PTFNR/L-22110-16-W C6-PTFNR/L-27140-16-W	170.38-823-1	170.38-820-1 <sup>1)</sup>	174.1-864 (3.0) 174.1-863 (2.5) <sup>1)</sup>
S40V-PTFNR/L 22-W S50W-PTFNR/L 22-W	C4-PTFNR/L-27120-22-W C5-PTFNR/L-35150-22-W C6-PTFNR/L-35175-22-W C5-PTFNR/L-27140-22-W C6-PTFNR/L-27140-22-W	170.38-824-1	170.38-821-1 <sup>1)</sup>	3021 010-040 (4.0) 174.1-864 (3.0) <sup>1)</sup>
 A20S-MWLNRL 06	C3-MWLNRL/L-13075-06M1 C3-MWLNRL/L-17090-06M1 C4-MWLNRL/L-13075-06M1 C4-MWLNRL/L-17090-06	–	5431 125-011	170.3-860 (2.5)
A25T-MWLNRL 06 A32U-MWLNRL 06		–	5431 125-011	170.3-860 (2.5)
A25T-MWLNRL 08 A25T-MWLNRL 08	C4-MWLNRL/L-17090-08 C5-MWLNRL/L-17090-08	–	5431 125-021	174.1-864 (3.0)
A32U-MWLNRL 08		–	5431 125-021	174.1-864 (3.0)
A40V-MWLNRL 08 A50W-MWLNRL 08	C4-MWLNRL/L-22110-08 C4-MWLNRL/L-27120-08 C5-MWLNRL/L-22110-08 C5-MWLNRL/L-27140-08	–	5431 125-021	174.1-864 (3.0)

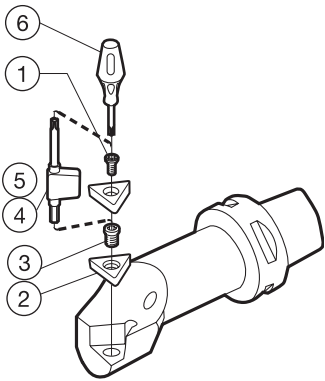
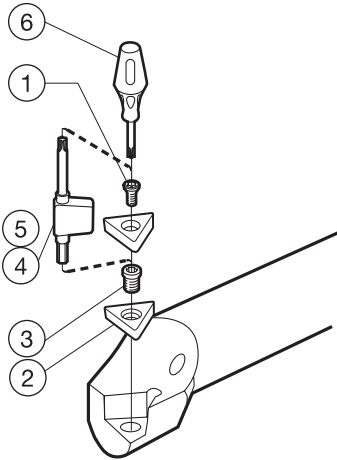
<sup>1)</sup> Optional part delivered to separate order




## T-Max P wedge design

4	5	6	7		
Shim	For insert Thickness	Radius	Pin	Screw	Key (mm/Torx Plus)
-	-	-	5313 021-01	5512 031-01	5680 051-03 (9IP)
170.3-852	4.76	0.4 – 0.8	5313 021-02	5512 031-01	5680 051-03 (9IP)
170.3-852	4.76	0.4 – 0.8	5313 021-02	3212 100-206	174.1-870 (1.98)
170.3-855	4.76	1.2 – 1.6	5313 021-03	5512 031-02	5680 049-02 (15IP)
170.3-856 <sup>1)</sup>	4.76	0.4 – 0.8			
170.3-852	4.76	1.2 - 1.6	5321 021-02	5512 031-01	5680 051-03 (9IP)
-	-	-	5313 022-02	-	170.3-864 (1.98)
5322 331-11	4.76	0.4 – 0.8	5313 022-02	-	170.3-864 (1.98)
5322 331-06	4.76	0.4 – 0.8	5313 022-01	5512 030-03	170.3-864 (1.98)
5322 331-09	4.76	0.4 – 0.8	5313 022-03	-	-
5322 331-10 <sup>1)</sup>	4.76	1.2 – 1.6			
5322 331-07	4.76	0.4 – 0.8	5313 022-03	-	-
5322 331-08 <sup>1)</sup>	4.76	1.2 – 1.6			
5322 331-07	4.76	0.4 – 0.8	5313 022-03	5512 030-04	174.1-863 (2.5)
5322 331-08 <sup>1)</sup>	4.76	1.2 – 1.6			

Ordering example: 10 pieces 170.38-823-2

## CoroTurn® 107 screw clamp design



Shank holders	Coromant Capto®	Insert screw (thread)
		1
		
S08K-SCLCR/L 06	-	5513 020-046
S10M-SCLCR/L 06		
S12M-SCLCR/L 06	-	5513 020-03 (M2.5)
S16R-SCLCR/L 06		
S16R-SCLCR/L 09-M	C3-SCLCR/L-11065-09 C4-SCLCR/L-11070-09 C5-SCLCR/L-11070-09 C3-SCLCR/L-13075-09 C4-SCLCR/L-13080-09 C5-SCLCR/L-13080-09	5513 020-09 (M3.5)
S25T-SCLCR/L 09-M	C3-SCLCR/L-17090-09 C4-SCLCR/L-17090-09 C5-SCLCR/L-17090-09 C4-SCLCR/L-27080-09 C5-SCLCR/L-35100-09	5513 020-10 (M3.5) 5513 020-01 (M3.5)
S25T-SCLCR/L 12	C3-SCLCR/L-17090-12 C4-SCLCR/L-17090-12 C5-SCLCR/L-17090-12	5513 020-17 (M4x0.5)
S32U-SCLCR/L 12	C3-SCLCR/L-22064-12	5513 020-18 (M4x0.5)
S40V-SCLCR/L 12	C3-SCLCR/L-22096-12 C4-SCLCR/L-22110-12 C4-SCLCR/L-27080-12 C5-SCLCR/L-22110-12 C5-SCLCR/L-27140-12 C5-SCLCR/L-35100-12	
		
A10K-SDUCR/L 07-ER	C3-SDUCR/L-11065-07	5513 020-03 (M2.5)
A12M-SDUCR/L 07-ER	C4-SDUCR/L-11070-07	
E10M-SDUCR/L 07-ER	C5-SDUCR/L-11070-07	
E12Q-SDUCR/L 07-ER	C3-SDUCR/L-13070-07X	
E16R-SDUCR/L 07-ER	C3-SDUCR/L-15080-07X	
F10M-SDUCR/L 07-ER	C4-SDUCR/L-13070-07X	
F12Q-SDUCR/L 07-ER	C4-SDUCR/L-15080-07X	
S10K-SDUCR/L 07	C4-SDUCR/L-18090-07X	
S12M-SDUCR/L 07	C5-SDUCR/L-15080-07X	
S16R-SDUCR/L 07	C5-SDUCR/L-18090-07X	
S16R-SDUCR/L 07-EX		
S20S-SDUCR/L 07-EX		
S25T-SDUCR/L 07-DX		
S20S-SDUCR/L 11-M	-	5513 020-09 (M3.5)
S25T-SDUCR/L 11-M	C3-SDUCR/L-13075-11 C3-SDUCR/L-17090-11 C4-SDUCR/L-13080-11 C5-SDUCR/L-13080-11 C4-SDUCR/L-17090-11 C5-SDUCR/L-17090-11	5513 020-10 (M3.5)
S32U-SDUCR/L 11-X	C3-SDUCR/L-22064-11 C3-SDUCR/L-22096-11 C4-SDUCR/L-22110-11 C4-SDUCR/L-27080-11 C5-SDUCR/L-22110-11 C5-SDUCR/L-35100-11	5513 020-01 (M3.5)
		
S16R-SSKCR/L 09-M	C3-SSKCR/L-11065-09	5513 020-09 (M3.5)
S20S-SSKCR/L 09-M	C3-SSKCR/L-13075-09 C4-SSKCR/L-13080-09 C5-SSKCR/L-13080-09	
S25T-SSKCR/L 12	C3-SSKCR/L-17090-09 C4-SSKCR/L-17090-09 C5-SSKCR/L-17090-12 C3-SSKCR/L-22064-12 C4-SSKCR/L-22110-12 C5-SSKCR/L-22110-12	5513 020-10 (M3.5) 5513 020-17 (M4x0.5)
S32U-SSKCR/L 12	C4-SSKCR/L-27080-12 C5-SSKCR/L-35100-12	5513 020-18 (M4x0.5)

1) Optional parts must be ordered separately.

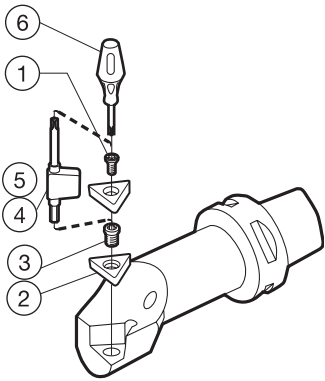
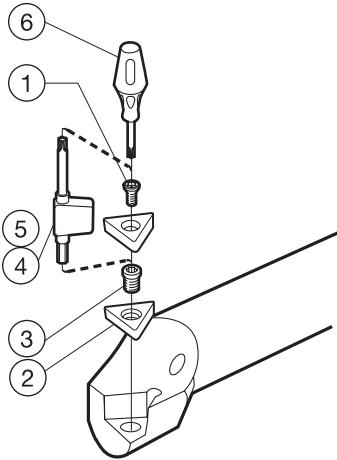
2) Optional part delivered to separate order



## CoroTurn® 107 screw clamp design

2	3	4/5	6 <sup>2)</sup>		
Shim	For insert thickness	Radius	Shim screw (thread)	Key (Torx Plus/mm)	Screwdriver (Torx Plus)
-	-	-	-	5680 051-02 (7IP)	
-	-	-	-	5680 051-02 (7IP)	5680 046-03 (7IP)
-	-	-	-	5680 049-01 (15IP/3.5)	5680 046-02 (15IP)
-	-	-	-	5680 049-01 (15IP/3.5)	5680 046-02 (15IP)
5322 232-01	3.97	0.2-0.8	5512 090-01 (M5x0.5)	5680 049-01 (15IP/3.5)	5680 046-02 (15IP)
-	-	-	-	5680 049-02 (15IP/4.0)	5680 046-02 (15IP)
5322 232-02	4.76	0.4-1.2	5512 090-03 (M6x0.75)	5680 049-02 (15IP/4.0)	5680 046-02 (15IP)
-	-	-	-	5680 051-02 (7IP)	5680 046-03 (7IP)
-	-	-	-	5680 049-01 (15IP/3.5)	5680 046-02 (15IP)
-	-	-	-	5680 049-01 (15IP/3.5)	5680 046-02 (15IP)
5322 263-01	3.97	0.4-0.8	5512 090-01 (M5x0.5/3.5)	5680 049-01 (15IP/3.5)	5680 046-02 (15IP)
5322 263-02 <sup>1)</sup>	3.97	1.2			
-	-	-	-	5680 049-01 (15IP/3.5)	416.1-864 (T15)
-	-	-	-	5680 049-01 (15IP/3.5)	416.1-864 (T15)
-	-	-	-	5680 049-02 (15IP/4.0)	416.1-864 (T15)
5322 420-02	4.76	0.4-1.2	5512 090-03 (M6x0.75)	5680 049-02 (15IP/4.0)	416.1-864 (T15)

Ordering example: 10 pieces 5513 020-046

## CoroTurn® 107 screw clamp design



Shank holders	Coromant Capto®	1
		Insert screw (thread)
 A06F-STFCR/L 06-R E06H-STFCR/L 06-R S06H-STFCR/L 06 A08H-STFCR/L 06-R E08K-STFCR/L 06-R S08K-STFCR/L 06 A10K-STFCR/L 09-R A12M-STFCR/L 09-R E10M-STFCR/L 09-R E12Q-STFCR/L 09-R F10M-STFCR/L 09-R F12Q-STFCR/L 09-R S10K-STFCR/L 09 S12M-STFCR/L 09 A12M-STFCR/L 11-B1 A16R-STFCR/L 11-B1 A20S-STFCR/L 11-B1 E16R-STFCR/L 11-R E16R-STFCR/L 11-RB1 S12M-STFCR/L 11 S16R-STFCR/L 11 S20S-STFCR/L 11 S25T-STFCR/L 16-M	-	5513 020-28 (M2)
		5513 020-27 (M2)
		5513 020-05 (M2.2)
		5513 020-03 (M2.5)
	C3-STFCR/L-11065-11 C3-STFCR/L-13075-11 C4-STFCR/L-11070-11 C4-STFCR/L-13080-11 C5-STFCR/L-11070-11 C5-STFCR/L-13080-11	
	C3-STFCR/L-17090-16 C4-STFCR/L-17090-16 C5-STFCR/L-17090-16	5513 020-10 (M3.5)
	C4-STFCR/L-22110-16 C5-STFCR/L-22110-16	5513 020-01 (M3.5)
 A16R-SVUBR/L 11-EB1 A20S-SVUBR/L 11-EB1 A25T-SVUBR/L 11-DB1 S16R-SVUBR/L 11-E S20S-SVUBR/L 11-E S25T-SVUBR/L 11-D S25T-SVUBR/L 16-D S32U-SVUBR/L 16 S40V-SVUBR/L 16 A16R-SVQBR/L 11-EB1 A20S-SVQBR/L 11-EB1 A25T-SVQBR/L 11-EB1 S16R-SVQBR/L 11-E S20S-SVQBR/L 11-E S25T-SVQBR/L 11-D S25T-SVQBR/L 16-D S32U-SVQBR/L 16 S40V-SVQBR/L 16	-	5513 020-03 (M2.5)
		5513 020-10 (M3.5)
		5513 020-01 (M3.5)
	C3-SVQBR/L-13070-11 C3-SVQBR/L-15080-11 C4-SVQBR/L-13070-11 C4-SVQBR/L-15080-11 C5-SVQBR/L-15080-11	5513 020-03 (M2.5)
	C3-SVQBR/L-18090-16 C4-SVQBR/L-18090-16 C5-SVQBR/L-18090-16 C3-SVQBR/L-22064-16 C3-SVQBR/L-22096-16 C4-SVQBR/L-22110-16 C4-SVQBR/L-27080-16 C4-SVQBR/L-27120-16 C5-SVQBR/L-22110-16 C5-SVQBR/L-27140-16 C5-SVQBR/L-35100-16 C5-SVQBR/L-35150-16 C6-SVQBR/L-22120-16 C6-SVQBR/L-27145-16 C6-SVQBR/L-35175-16	5513 020-10 (M3.5)
		5513 020-01 (M3.5)

1) Optional parts must be ordered separately.

2) Optional part delivered to separate order

Magnetic sleeve, see page A291

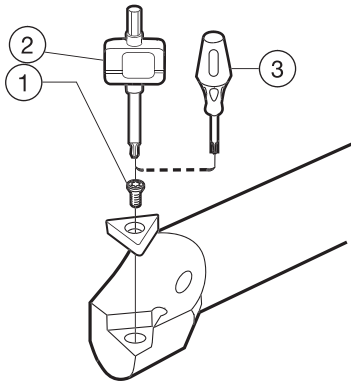
## CoroTurn® 107 screw clamp design



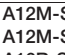

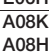



2			3	4/5	6 <sup>2)</sup>
Shim	For insert thickness	Radius	Shim screw (thread)	Key (Torx Plus/mm)	Screwdriver (Torx Plus)
-	-	-	-	5680 051-01 (6IP)	-
-	-	-	-	5680 051-01 (6IP)	-
-	-	-	-	5680 051-02 (7IP)	5680 046-03 (7IP)
-	-	-	-	5680 051-02 (7IP)	5680 046-03 (7IP)
-	-	-	-	5680 049-01 (15IP/3.5)	5680 046-02 (15IP)
5322 320-01	3.97	0.4-1.2	5512 090-01 (M5x0.5)	5680 049-01 (15IP/3.5)	5680 046-02 (15IP)
-	-	-	-	5680 051-02 (7IP)	5680 046-03 (7IP)
-	-	-	-	5680 049-01 (15IP/3.5)	5680 046-02 (15IP)
5322 270-01	4.76	0.4-0.8	5512 090-01 (M5x0.5)	5680 049-01 (15IP/3.5)	5680 046-02 (15IP)
5322 270-02 <sup>1)</sup>	4.76	1.2	-	5680 051-02 (7IP)	5680 046-03 (7IP)
-	-	-	-	5680 049-01 (15IP/3.5)	5680 046-02 (15IP)
5322 270-01	4.76	0.4-0.8	5512 090-01 (M5x0.5)	5680 049-01 (15IP/3.5)	5680 046-02 (15IP)
5322 270-02 <sup>1)</sup>	4.76	1.2	-	5680 051-02 (7IP)	5680 046-03 (7IP)

Ordering example: 10 pieces 5513 020-28




## CoroTurn® 111 screw clamp design



	1	2	3 <sup>1)</sup>
Boring bars	Insert screw (thread)	Key (Torx Plus/mm)	Screwdriver (Torx Plus)
 A08K-SCLPR/L 06 A10K-SCLPR/L 06 A08K-SCLPR/L 06-R A10K-SCLPR/L 06-R E08K-SCLPR/L 06-R E10M-SCLPR/L 06-R A12M-SCLPR/L 06 A12M-SCLPR/L 06-R E12Q-SCLPR/L 06-R	5513 020-21 (M2.5)	5680 051-02 (7IP)	5680 046-03 (7IP)
 A10K-SDUPR/L 07-E A10K-SDUPR/L 07-ER E10M-SDUPR/L 07-ER F10M-SDUPR/L 07-ER A12M-SDUPR/L 07-E A12M-SDUPR/L 07-ER A16R-SDUPR/L 07 A16R-SDUPR/L 07-R A16R-SDUPR/L 07-ERX A16R-SDUPR/L 07-EX E12Q-SDUPR/L 07-ER E16R-SDUPR/L 07-R E16R-SDUPR/L 07-ERX F12Q-SDUPR/L 07-ER A20S-SDUPR/L 11 A20S-SDUPR/L 11-R A25T-SDUPR/L 11 A16R-SDXPR/L 07-E A16R-SDXPR/L 07-ER	5513 020-48 (M2.5)	5680 051-02 (7IP)	5680 046-03 (7IP)
 A06H-STFPR/L 06 A06F-STFPR/L 06-R E06H-STFPR/L 06-R A08K-STFPR/L 06 A08H-STFPR/L 06-R E08K-STFPR/L 06-R A10K-STFPR/L 09 A10K-STFPR/L 09-R A12M-STFPR/L 09 A12M-STFPR/L 09-R E10M-STFPR/L 09-R E12Q-STFPR/L 09-R F10M-STFPR/L 09-R F12Q-STFPR/L 09-R A12M-STFPR/L 11 A12M-STFPR/L 11-R E12Q-STFPR/L 11-R A16R-STFPR/L 11 A16R-STFPR/L 11-R E16R-STFPR/L 11-R A20S-STFPR/L 16 A20S-STFPR/L 16-R A25S-STFPR/L 16	5513 020-03 (M2.5)	5680 051-02 (7IP)	5680 046-03 (7IP)
 A06H-STFPR/L 06 A06F-STFPR/L 06-R E06H-STFPR/L 06-R A08K-STFPR/L 06 A08H-STFPR/L 06-R E08K-STFPR/L 06-R A10K-STFPR/L 09 A10K-STFPR/L 09-R A12M-STFPR/L 09 A12M-STFPR/L 09-R E10M-STFPR/L 09-R E12Q-STFPR/L 09-R F10M-STFPR/L 09-R F12Q-STFPR/L 09-R A12M-STFPR/L 11 A12M-STFPR/L 11-R E12Q-STFPR/L 11-R A16R-STFPR/L 11 A16R-STFPR/L 11-R E16R-STFPR/L 11-R A20S-STFPR/L 16 A20S-STFPR/L 16-R A25S-STFPR/L 16	5513 020-44 (M2.0)	5680 051-01 (6IP)	–
 A06H-STFPR/L 06 A06F-STFPR/L 06-R E06H-STFPR/L 06-R A08K-STFPR/L 06 A08H-STFPR/L 06-R E08K-STFPR/L 06-R A10K-STFPR/L 09 A10K-STFPR/L 09-R A12M-STFPR/L 09 A12M-STFPR/L 09-R E10M-STFPR/L 09-R E12Q-STFPR/L 09-R F10M-STFPR/L 09-R F12Q-STFPR/L 09-R A12M-STFPR/L 11 A12M-STFPR/L 11-R E12Q-STFPR/L 11-R A16R-STFPR/L 11 A16R-STFPR/L 11-R E16R-STFPR/L 11-R A20S-STFPR/L 16 A20S-STFPR/L 16-R A25S-STFPR/L 16	5513 020-28 (M2.0)	5680 051-01 (6IP)	–
 A16R-SVUCR/L 11-E A16R-SVUCR/L 11-ER E16R-SVUCR/L 11-ER A16R-SVQCR/L 11-E A16R-SVQCR/L 11-ER E16R-SVQCR/L 11-ER	5513 020-47 (M2.5)	5680 051-02 (7IP)	5680 046-03 (7IP)
 A16R-SVUCR/L 11-E A16R-SVUCR/L 11-ER E16R-SVUCR/L 11-ER A16R-SVQCR/L 11-E A16R-SVQCR/L 11-ER E16R-SVQCR/L 11-ER	5513 020-03 (M2.5)	5680 051-02 (7IP)	5680 046-03 (7IP)
 A16R-SVUCR/L 11-E A16R-SVUCR/L 11-ER E16R-SVUCR/L 11-ER A16R-SVQCR/L 11-E A16R-SVQCR/L 11-ER E16R-SVQCR/L 11-ER	5513 020-03 (M2.5)	5680 051-02 (7IP)	5680 046-03 (7IP)

## CoroTurn® 111 screw clamp design

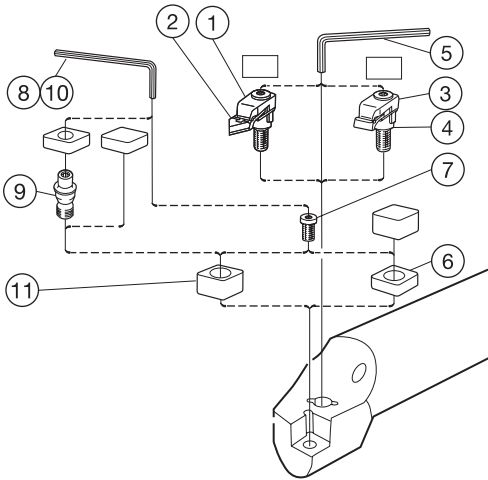
	1	2	3 <sup>1)</sup>
<b>Boring bars</b>	Insert screw (thread)	Key (Torx Plus/mm)	Screwdriver (Torx Plus)
			
A05F-SWLPR/L 02-R E05H-SWLPR/L 02-R	5513 020-53 (M2.0)	5680 051-01 (6IP)	–
A06F-SWLPR/L 02 A06F-SWLPR/L 02-R A08H-SWLPR/L 02 A08H-SWLPR/L 02-R E06H-SWLPR/L 02-R E08K-SWLPR/L 02-R	5513 020-44 (M2.0)	5680 051-01 (6IP)	–
A10K-SWLPR/L 04 A10K-SWLPR/L 04-R E10M-SWLPR/L 04-R	5513 020-21 (M2.5)	5680 051-02 (7IP)	5680 046-03 (7IP)
A12M-SWLPR/L 04 A12M-SWLPR/L 04-R E12Q-SWLPR/L 04-R	5513 020-46 (M2.5)	5680 051-02 (7IP)	5680 046-03 (7IP)


1) Optional part delivered to separate order



Ordering example: 10 pieces 5513 020-21




Magnetic sleeve, see page A291


## T-Max® top clamp design for ceramic inserts



	1	2			3	4	5
<b>Round shank tool</b>	Clamp (IC)	Chipbreaker (IC) Right hand	Neutral	Left hand	Clamp (ID)	Pressure plate (ID)	Key (mm)
 S40T-CCLNR/L 12-IC S50U-CCLNR/L 12-IC	5412 125-02	-	5192 022-04	-	5412 125-02 <sup>1)</sup>	5192 020-01 <sup>1)</sup>	3021 010-040

 S25T-CRSPR/L 09-ID S40T-CRSNR/L 12-ID	-	-	-	-	5412 126-03	-	3021 010-040
 S40T-CSKNR/L 12-IC	5412 125-02	5192 022-06	-	5192 022-05	5412 125-02 <sup>1)</sup>	5192 020-01 <sup>1)</sup>	3021 010-040

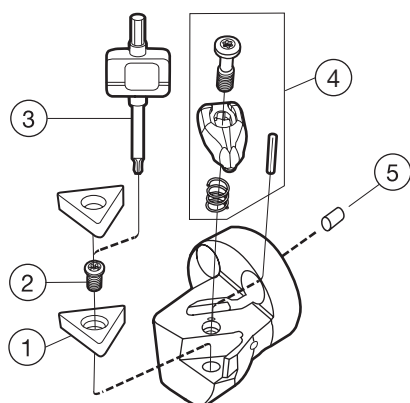
	6	7	8	9 <sup>1)</sup>	11 <sup>1)</sup>	10 <sup>1)</sup>
<b>Round shank tool</b>	Shim (For insert thickness)	Shim screw	Key (Torx Plus)	Centre pin (IP)	Shim (For insert thickness)	Key (mm)
 S40T-CCLNR/L 12-IC S50U-CCLNR/L 12-IC	5322 233-01	5513 013-02 (20IP)	5680 043-14	5513 032-02	5322 233-02 (2.5)	174.1-863
 S25T-CRSPR/L 09-ID S40T-CRSNR/L 12-ID	-	-	-	-	-	-
 S40T-CSKNR/L 12-IC	5322 141-01	5513 013-02	5680 043-14	5513 032-02	5322 141-02 (4.76)	174.1-863 (2.5)





 S40T-CSKNR/L 12-IC	5322 421-01	5513 013-02	5680 043-14	5513 032-02	5322 421-02 (4.76)	174.1-863 (2.5)
--	-------------	-------------	-------------	-------------	--------------------	-----------------

<sup>1)</sup> Optional part delivered to separate order

Ordering example: 10 pieces 5412 125-02

## CoroTurn® RC rigid clamp design



	1	2	3	4	5
<b>Cutting heads</b>	Shim screw	Shim	Key (Torx Plus/mm)	Complete clamp set	Locating tube
 570-DCLNR/L-32-09 570-DCLNR/L-32-12-L	5513 020-04 5513 020-02	5322 236-04 5322 236-03	5680 051-03 (9IP) 5680 049-01 (15IP)	5412 028-011 <sup>1)</sup> 5412 028-021 <sup>1)</sup> 5412 034-021 <sup>2)</sup> 5412 032-021 <sup>3)</sup>	5638 031-01 5638 031-01
570-DCLNR/L-40-12-L					
 570-DDUNR/L-32-11 570-DDUNR/L-32-11X 570-DDUNR/L-40-15	5513 020-04 5513 020-02	5322 267-01 5322 266-02	5680 051-03 (9IP) 5680 049-01 (15IP)	5412 028-011 <sup>1)</sup> 5412 028-021 <sup>1)</sup> 5412 032-021 <sup>3)</sup>	5638 031-01 5638 031-01
570-DDUNR/L-40-15X 570-DDXNR/L-32-11 570-DDXNR/L-40-15-L	5513 020-04 5513 020-02	5322 267-01 5322 266-02	5680 051-03 (9IP) 5680 049-01 (15IP)	5412 028-011 <sup>1)</sup> 5412 028-021 <sup>1)</sup> 5412 034-021 <sup>2)</sup> 5412 032-021 <sup>3)</sup>	5638 031-01 5638 031-01
 570-DTFNR/L-32-16-L 570-DTFNR/L-40-16-L	5513 020-04	5322 316-01	5680 051-03 (9IP)	5412 028-011 <sup>1)</sup>	5638 031-01
 570-DWLNR/L-32-06 570-DWLNR/L-32-08-LE	5513 020-04 5513 020-02	5322 328-01 5322 331-12	5680 051-03 (9IP) 5680 049-01 (15IP)	5412 028-011 <sup>1)</sup> 5412 028-021 <sup>1)</sup> 5412 034-021 <sup>2)</sup> 5412 032-021 <sup>3)</sup>	5638 031-01 5638 031-01
570-DWLNR/L-40-08-L					

1) For clamp set parts, see page A281.

2) Clamp sets for ceramic inserts without hole

3) Clamp sets for ceramic inserts with hole

Ordering example: 10 pieces 5513 020-04

This catalogue has been split into smaller parts  
to enhance downloading speeds.

If you want to view the next page  
please click [HERE!](#)