

SPX Corporation
5885 11th Street
Rockford, IL 61109-3699 USA

Internet Address:
<http://www.powerteam.com>
Tech. Services: (800) 477-8326
Fax: (800) 765-8326
Order Entry: (800) 541-1418
Fax: (800) 288-7031

SPX Corporation
655 Eisenhower Drive
Owatonna, MN 55060-0995 USA
Phone: (507) 455-7000
Tech. Services: (800) 533-6127
Fax: (800) 955-8329
Order Entry: (507) 455-1480
Fax: (800) 283-8665
International Sales: (507) 455-7223
Fax: (507) 455-7746

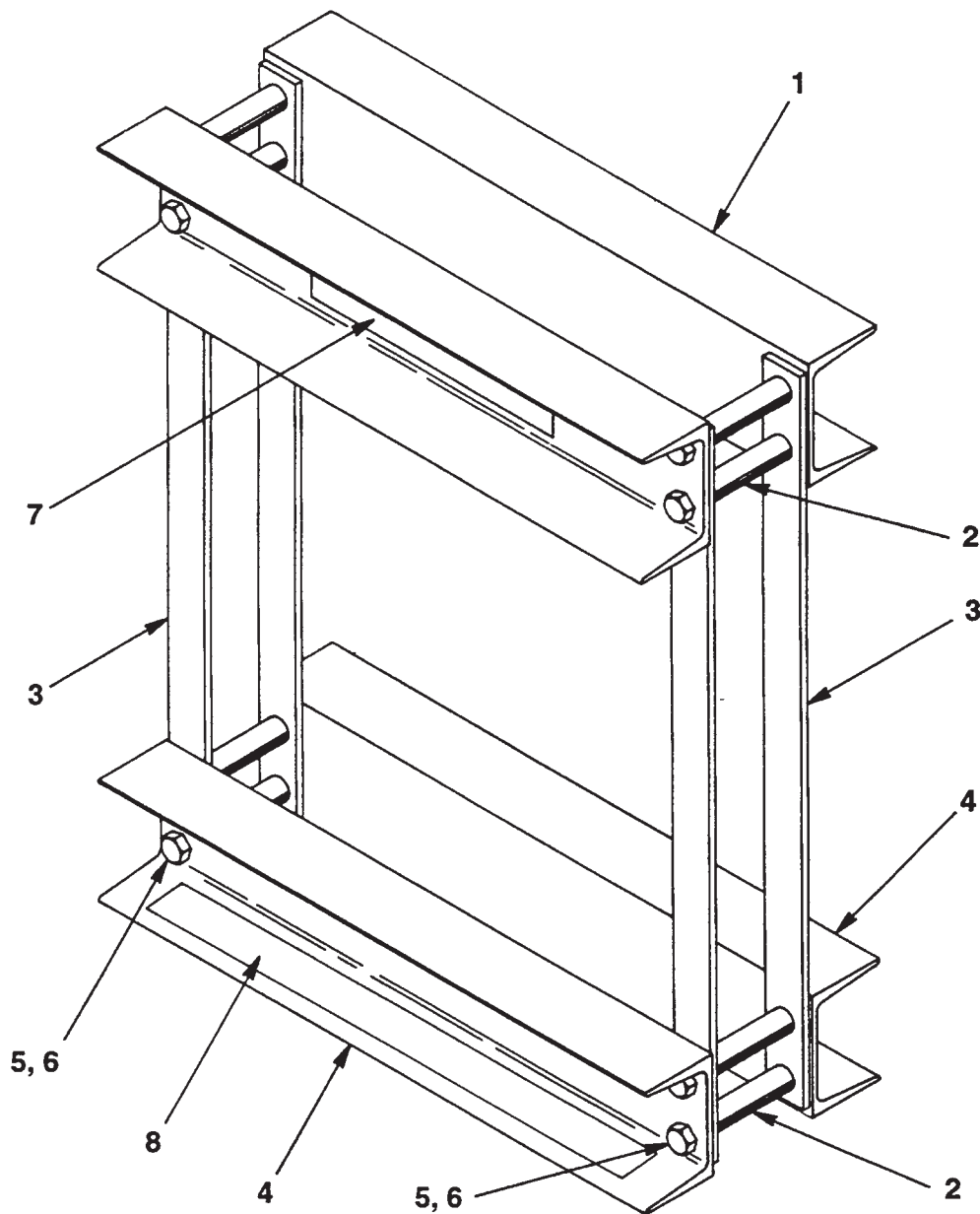
Parts List for:

016-00001	206474	*60793
*1828	208184	SP10 (B)
1829	*210557	SPM1010 (B)
1830	*210947	

*Press frame only; does not include hydraulics.

BENCH PRESS FRAME ASSEMBLY

Max. Capacity: 10 Tons



Refer to any operating instructions included with the product for detailed information about operation, testing, disassembly, reassembly, and preventive maintenance.

Items found in this parts list have been carefully tested and selected. **Therefore: Use only genuine replacement parts!**

Additional questions can be directed to one of the Tech. Services Departments.

60793, 1828, SP10 (Model B), 210557, & 210947

Item No.	Part No.	No. Req'd	Description	Item No.	Part No.	No. Req'd	Description
1	51660-OR9	1	Upper Bolster (for SP10)	5	10094	8	Hex Hd. Cap Screw (1/2-13 UNC x 4-1/2" Lg.)
	51660-BL2	1	Upper Bolster (for 1828, 210557, & 210947)	6	10391	8	Hex Jam Nut (for 1/2-13 UNC)
	51660-RE2	1	Upper Bolster (for 60793)	7	36583	1	Trade Name Decal (for SP10)
2	206271	8	Spacer		12966	1	Trade Name Decal (for 1828)
3	39916	4	Upright Strap		305504	1	Trade Name Decal (for 210947)
4	44046-OR9	2	Lower Bolster (for SP10)		305106	1	Trade Name Decal (for 210557)
	44046-BL2	2	Lower Bolster (for 1828, 210557, & 210947)	8	46895	1	Warning Decal
	44046-RE2	2	Lower Bolster (for 60793)				

Items 1-8 make up the basic press frame assembly used on each of the catalog numbers shown below. Refer to the parts list that applies to press model that you have.

1829

Part No.	No. Req'd	Description
1828	1	Bench Press (consists of Items 1-8)
4020	1	Air Hydraulic Pump
44135	1	Hydraulic Cylinder
* 24815	1	Tee Adapter
* 10469	2	Adapter Union
* 10617	1	Street Elbow
16715	1	Pressure Gauge
* 36887	1	Hose (8 ft.)

Parts marked with (*) are in Small Parts Package No. 209329.

1830

Part No.	No. Req'd	Description
1828	1	Bench Press (consists of Items 1-8)
4002	1	Hydraulic Hand Pump
44135	1	Hydraulic Cylinder
* 24815	1	Tee Adapter
* 10469	1	Adapter Union
16715	1	Pressure Gauge
* 36886	1	Hose (6 ft.)

Parts marked with (*) are in Small Parts Package No. 209333.

206474

Part No.	No. Req'd	Description
60793	1	Bench Press (consists of Items 1-8)
61522	1	Hydraulic Hand Pump
44135	1	Hydraulic Cylinder
* 24815	1	Tee Adapter
* 10469	1	Adapter Union
16457	1	Pressure Gauge
* 36886	1	Hose (6 ft.)

Parts marked with (*) are in Small Parts Package No. 209333.

208184

Part No.	No. Req'd	Description
60793	1	Bench Press (consists of Items 1-8)
203398	1	Air/ Hydraulic Pump
* 44135	1	Hydraulic Cylinder
* 24815	1	Tee Adapter
* 10469	2	Adapter Union
16457	1	Pressure Gauge
* 36887	1	Hose (8 ft.)
* 10617	1	90° Street Elbow

Parts marked with (j) are in Small Parts Package No. 209329.

016-00001

Part No.	No. Req'd	Description
210557	1	Bench Press (consists of Items 1-8)
203402	1	Hydraulic Hand Pump
44135	1	Hydraulic Cylinder
* 24815	1	Tee Adapter
* 10469	1	Adapter Union
16715	1	Pressure Gauge
* 36886	1	Hose (6 ft.)

Parts marked with (*) are in Small Parts Package No. 209333.

SPM1010 (Model B)

Part No.	No. Req'd	Description
SP10	1	Bench Press (consists of Items 1-8)
P55	1	Hydraulic Hand Pump
44135	1	Hydraulic Cylinder
* 24815	1	Tee Adapter
* 10469	1	Adapter Union
16715	1	Pressure Gauge
* 36886	1	Hose (6 ft.)

Parts marked with (*) are in Small Parts Package No. 209333.