

POWER TEAM®

SPX Hydraulic Technologies
5885 11th Street
Rockford, IL 61109-3699 USA

Tech. Services: (800) 477-8326
Fax: (800) 765-8326
Order Entry: (800) 541-1418
Fax: (800) 288-7031

powerteam.com

OTC®

SPX Corporation
655 Eisenhower Drive
Owatonna, MN 55060-0995 USA
Phone: (507) 455-7000

Tech. Services: (800) 533-6127
Fax: (800) 955-8329
Order Entry: (507) 455-1480
Fax: (800) 283-8665
International Sales: (507) 455-7223
Fax: (507) 455-7746

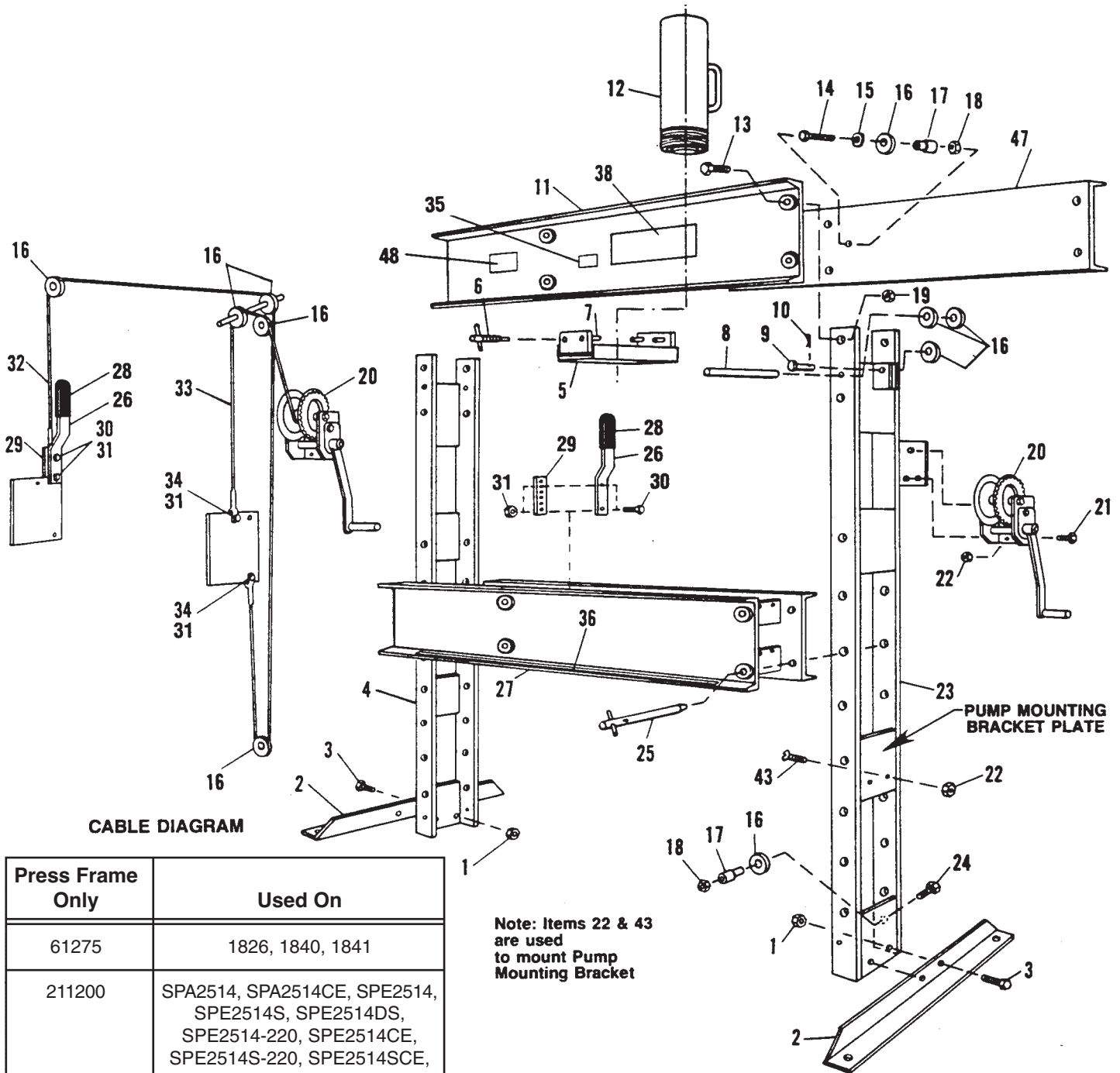
Form No. 100607

Parts List for:

	SPA2514	SPE2514DS-220
	SPA2514CE	SPE2514DSCE
	SPE2514	SPE2514S
	SPE2514	SPE2514S-220
1826	SPE2514-220	SPE2514SCE
1840	SPE2514CE	SPM2514
1841	SPE2514DS	SPM2514CE

HYDRAULIC SHOP PRESS

MAX. CAPACITY: 25 TONS



CABLE DIAGRAM

Press Frame Only	Used On
61275	1826, 1840, 1841
211200	SPA2514, SPA2514CE, SPE2514, SPE2514S, SPE2514DS, SPE2514-220, SPE2514CE, SPE2514S-220, SPE2514SCE, SPE2514DS-220, SPM2514, SPE2514DSCE, & SPM2514CE

Note: Items 22 & 43 are used to mount Pump Mounting Bracket

Sheet No. 1 of 2

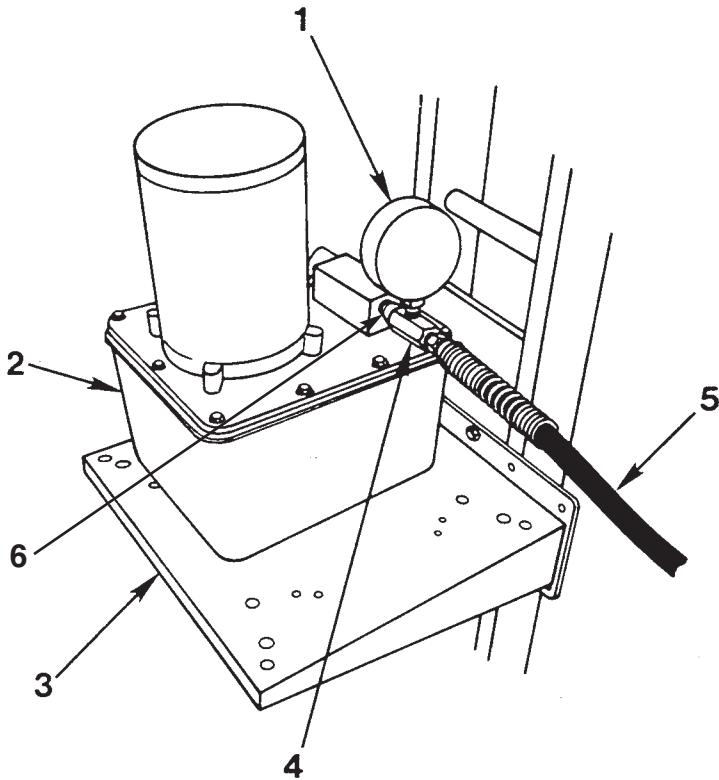
Rev. 2 Date: 09 Dec 2008

Parts List, Form No. 100607, Back sheet 1 of 2

Item No.	Part No.	No. Req'd	Description	Item No.	Part No.	No. Req'd	Description
1	10208	4	Hex Nut (1/2-18 UNC)	27	51510OR9	1	Lower Bolster (For SPA2514, SPE2514, SPE2514-220, SPE2514CE, SPE2514DS, SPE2514DS-220, SPE2514S, SPE2514S-220, SPE2514SCE, SPM2514, SPM2514CE, SPA2514CE, & SPE2514DSCE)
2	304485	2	Foot Angle		51510-BL2	1	Lower Bolster (For 1826, 1840, & 1841)
3	10080	4	Hex Hd. Cap Screw (1/2-13 UNC x 1-1/4 lg.)	28	17241	1	Handle Grip
4	42462	1	L.H. Upright	29	201929	1	Cable Adjusting Strap
5	42412	1	Ram Mounting Plate (For all except SPE2514DS, SPE2514DS-220, & SPE2514DSCE)	30	10017	2	Hex Hd. Cap Screw (1/4-20 UNC x 1" lg.)
	43560	1	Ram Mounting Plate (For SPE2514DS, SPE2514DS-220, & SPE2514DSCE)	31	12809	4	Locknut (1/4-20 UNC)
6	25825	1	Adjusting Screw	32	202473	1	Press Cable
7	10611	3	Roll Pin (3/8 dia. x 1-1/2 lg.)	33	204728	1	Winch Cable
8	202469	1	Pulley Axle	34	10019	2	Cap Screw (1/4-20 UNC x 1-1/4 lg.)
9	16654	1	Clevis Pin	35	206043	1	Instruction Decal
10	10472	1	Cotter Pin	36	46896	1	Warning Decal
11	32578OR9	1	Upper Front Bolster (For SPA2514, SPE2514, SPE2514-220, SPE2514CE, SPE2514DS, SPE2514DS-220, SPE2514S, SPE2514S-220, SPE2514SCE, SPM2514, SPM2514CE, SPA2514CE, & SPE2514DSCE)	38	36584	1	Trade Name Decal (For SPA2514, SPE2514, SPE2514-220, SPE2514CE, SPE2514DS, SPE2514DS-220, SPE2514S, SPE2514S-220, SPE2514SCE, SPM2514, SPM2514CE, SPA2514CE, & SPE2514DSCE)
	32578-BL2	1	Upper Front Bolster (For 1826, 1840, & 1841)		14601	1	Trade Name Decal (For 1826, 1840, & 1841)
12	52025	1	Single-acting Cylinder (For all except SPE2514DS, SPE2514DS-220, & SPE2514DSCE; See Form No. 101490)	43	10189	2	Flat Hd. Machine Screw (For all except 1840 & SPA2514)
	RD2514	1	Double-acting Cylinder (For SPE2514DS, SPE2514DS-220, & SPE2514DSCE; See Form No. 100307)	47	33335OR9	1	Upper Rear Bolster (For SPA2514, SPE2514, SPE2514-220, SPE2514CE, SPE2514DS, SPE2514DS-220, SPE2514S, SPE2514S-220, SPE2514SCE, SPM2514, SPM2514CE, SPA2514CE, & SPE2514DSCE)
13	12687	8	Hex Hd. Cap Screw (7/8-9 UNC x 2-1/4 lg.)		33335-BL2	1	Upper Rear Bolster (For 1826, 1840, & 1841)
14	12896	1	Hex Hd. Cap Screw (1/2-13 UNC x 2-1/4 lg.)	48	14401	1	Open Throat Decal (For 1826, 1840, & 1841)
15	12004	1	SAE Washer (1/2" bolt)	PARTS INCLUDED BUT NOT SHOWN			
16	16653	5	Pulley	216703	1	Made in USA Decal (For 1826, 1840, & 1841)	
17	202468	2	Spacer	216819	1	Made in USA Decal (For SPA2514, SPE2514, SPE2514-220, SPE2514CE, SPE2514DS, SPE2514DS-220, SPE2514S, SPE2514S-220, SPE2514SCE, SPM2514, SPM2514CE, SPA2514CE, & SPE2514DSCE.)	
18	15013	2	Locknut (1/2-13 UNC)	10469	1	Adapter Union (Used with cylinder; For SPE2514, SPE2514-220, SPE2514CE, SPE2514S, SPE2514S-220, SPE2514SCE, SPM2514, & SPM2514CE.)	
19	10219	8	Hex Nut (7/8-9 UNC)	9798	2	Hose Half Coupler (For SPE2514DS, SPE2514DS-220, & SPE2514DSCE)	
20	18895-1	1	Winch				
21	10049	3	Hex Hd. Cap Screw (3/8-16 UNC x 1" lg.)				
22	10204	5	Hex Nut (3/8-16 UNC; For all except 1840, SPA2514, & SPA2514CE)				
	10204	3	Hex Nut (3/8-16 UNC; For 1840, SPA2514, & SPA2514CE)				
23	42466	1	R.H. Upright				
24	10089	1	Hex Hd. Cap Screw (1/2-13 UNC x 2-1/2 lg.)				
25	25840	4	Pin Assembly				
26	38579	1	Handle				

ELECTRIC PUMP

(USED ON 1841, SPE2514, SPE2514-220, & SPE2514CE)



Item No.	Part No.	No. Req'd	Description
1	9063	1	Gauge
2	4044	1	Electric Pump (For 1841; See Form No. 100577)
	PE172	1	Electric Pump (For SPE2514; See Form No. 100577)
	PE172-50-220	1	Electric Pump (For SPE2514-220; See Form No. 100585)
	PE82-E220	1	Electric Pump (For SPE2514CE; See Form No. 108120)
3	50931	1	Pump Mounting Bracket
4	9670	1	Tee Adapter
5	350158	1	Hydraulic Hose (For 1841, SPE2514, & SPE2514-220)
	9769E	1	Hydraulic Hose (For SPE2514CE)
6	10469	1	Straight Fitting

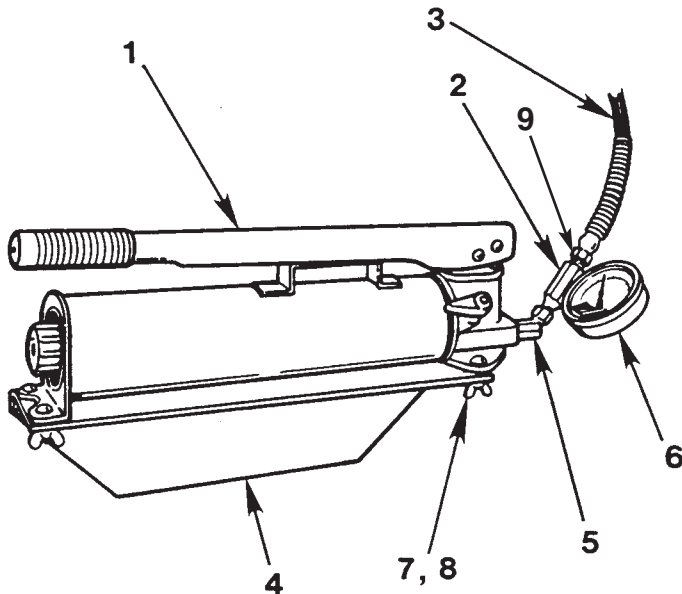
PARTS INCLUDED BUT NOT SHOWN

350989 1 CE Decal (For SPE2514CE)

NOTE: Pump mounting hardware is included with the pump for these presses.

HAND PUMP

(USED ON 1826, SPM2514, & SPM2514CE)



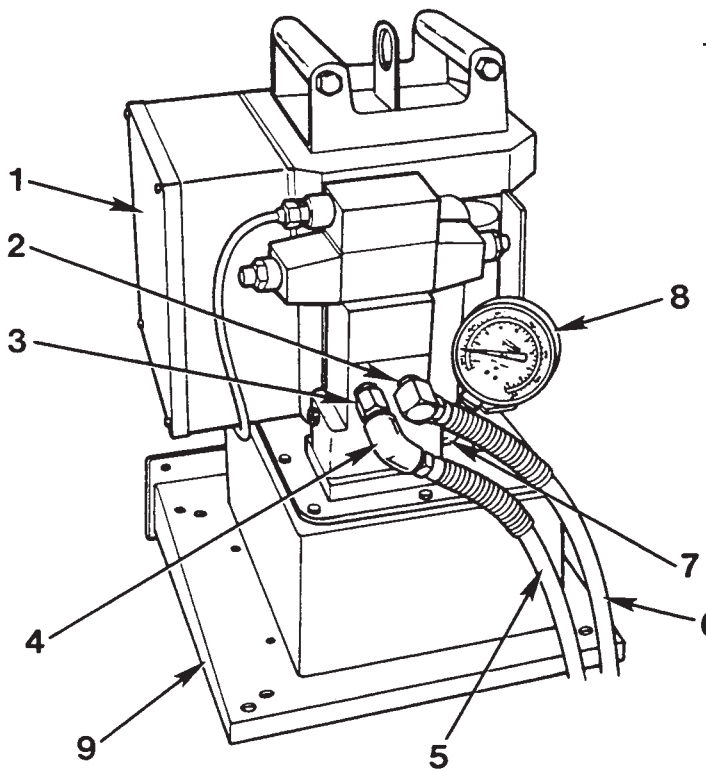
Item No.	Part No.	No. Req'd	Description
1	4016	1	Hand Pump (For 1826; See Form No. 101800)
	P159	1	Hand Pump (For SPM2514 & SPM2514CE; See Form No. 101796)
2	9670	1	Tee Adapter
3	350158	1	Hydraulic Hose (For 1826, SPM2514, & SPM2514-220)
	9769E	1	Hydraulic Hose (For SPM2514CE)
4	42733WH2	1	Mounting Bracket
5	10648	1	45° Elbow
6	9063	1	Gauge
7	12029	3	Wing Nut
8	12680	3	Thumb Screw
9	10469	1	Straight Fitting

PARTS INCLUDED BUT NOT SHOWN

350989 1 CE Decal (For SPM2514CE)

ELECTRIC PUMP

(USED ON SPE2514S, SPE2514DS, SPE2514SCE, SPE2514S-220, SPE2514DS-220, & SPE2514DSCE)



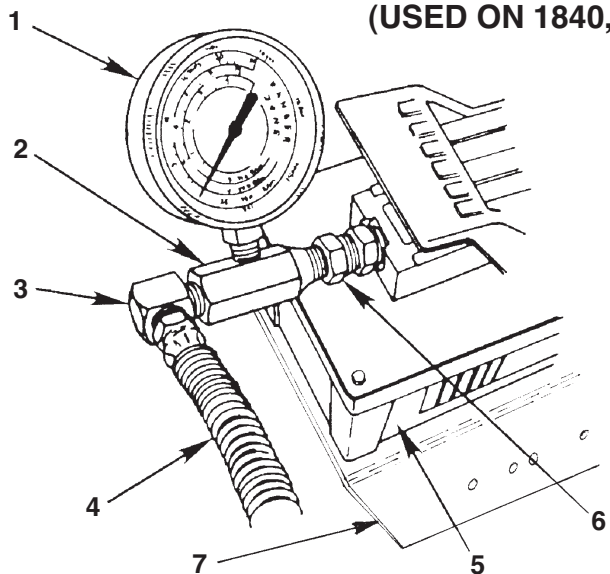
Item No.	Part No.	No. Req'd	Description
1	PE213S	1	Electric Pump (For SPE2514S; See Form No. 100807)
	PE213S-50-220	1	Electric Pump (For SPE2514S-220; See Form No. 100807)
	PE214S	1	Electric Pump (For SPE2514DS; See Form No. 100807)
	PE214S-50-220	1	Electric Pump (For SPE2514DS-220; See Form No. 100807)
	PE82S-E220	1	Electric Pump (For SPE2514SCE; See Form No. 108120)
	PE84SM-E220	1	Electric Pump (For SPE2514DSCE; See Form No. 108120)
2	10474	1	90° Elbow
3	9683	1	Straight Fitting (For SPE2514DS & SPE2514DS-220)
4	10647	1	90° Elbow (For SPE2514DS & SPE2514DS-220)
5	36887	2	Hyd. Hose (For SPE2514DS & SPE2514DS-220)
6	350158	1	Hyd. Hose (For SPE2514S & SPE2514S-220)
	9769E	1	Hydraulic Hose (For SPE2514SCE)
	9768E	2	Hydraulic Hose (For SPE2514DSCE)
7	10645	1	45° Elbow
8	9063	1	Gauge
9	50931	1	Pump Mounting Bracket

PARTS INCLUDED BUT NOT SHOWN

10048	4	Hex Hd. Cap Screw (3/8-16 x 7/8 lg; For mounting pump to bracket.)
350989	1	CE Decal (For SPE2514SCE & SPE2514DSCE)

AIR PUMP

(USED ON 1840, SPA2514, & SPA2514CE)



Item No.	Part No.	No. Req'd	Description
1	9063	1	Gauge
2	9670	1	Tee Adapter
3	10474	1	90° Elbow
4	350158	1	Hydraulic Hose (For 1840 & SPA2514)
	9769E	1	Hydraulic Hose (For SPA2514SCE)
5	4020	1	Air Pump (For 1840; See Form No. 101695)
	PA6	1	Air Pump (For SPA2514 & SPA2514CE; See Form No. 101652)
6	10469	2	Straight Fitting (One used with cylinder)
7	421125	1	Pump Mounting Bracket

PARTS INCLUDED BUT NOT SHOWN

350989	1	CE Decal (For SPA2514CE)
--------	---	--------------------------

Refer to any operating instructions included with this product for detailed information about operation, testing, disassembly, reassembly, and preventive maintenance.

Items found in this parts list have been carefully tested and selected. **Therefore: Use only genuine replacement parts!**

Additional questions can be directed to our Technical Services Department.