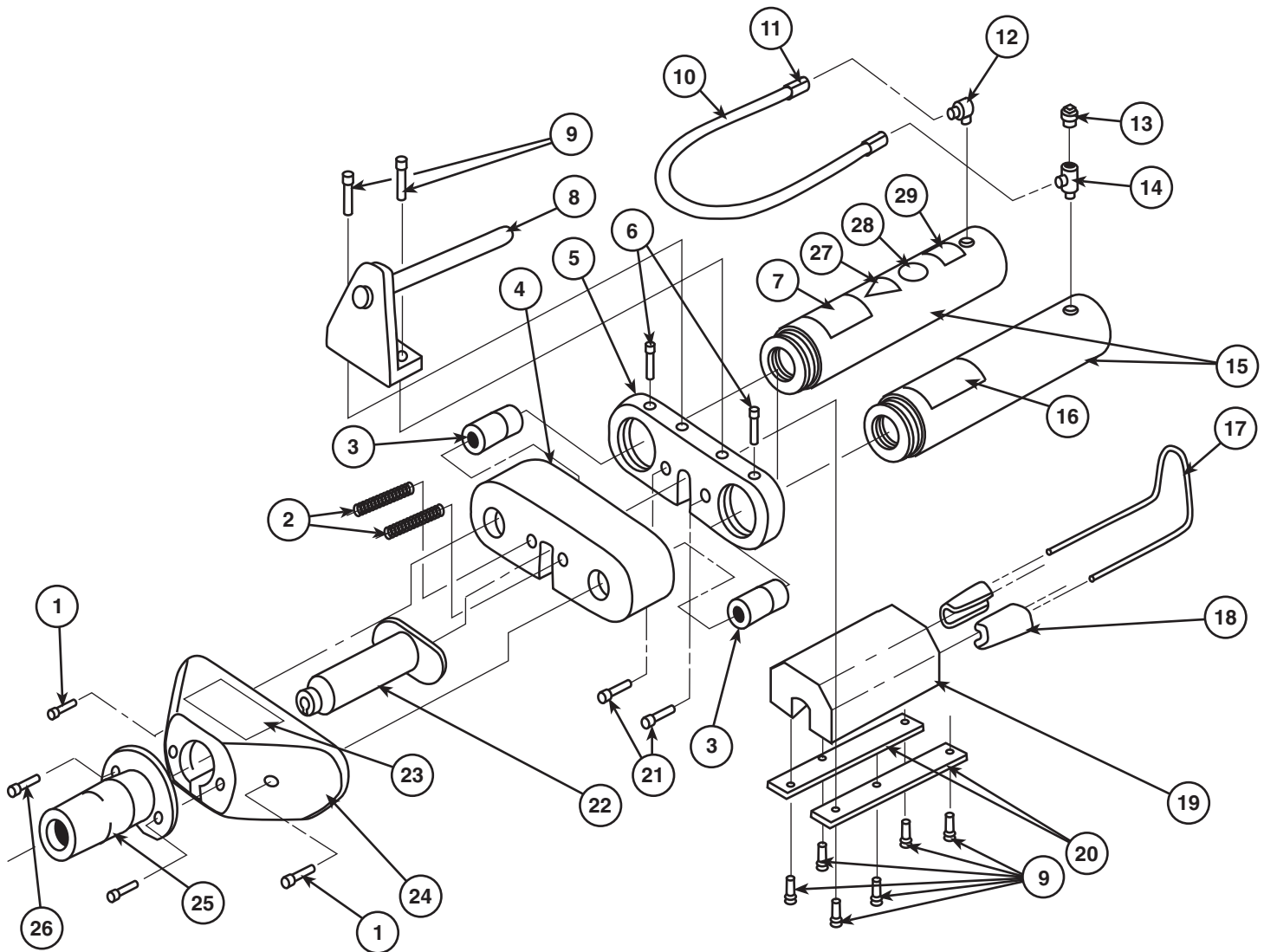


SINGLE ACTING, SPRING RETURN POST TENSION JACK Max. Capacity: 20 Ton



Parts List, Form No. 101816, Back sheet 1 of 1

Item No.	Part No.	No. Req'd	Description
1	10984	2	Soc. Hd. Cap Screw (3/8 X 1-1/2 Lg.)
2	252582	2	Wedge Setter Spring
3	252560	2	Cylinder Stud
4	252575	1	Front Center Block
5	252558	1	Rear Center Block
6	10149	2	Set Screw (3/8 X 1/2 Lg.)
7	251762	1	Warning Decal
8	252572	1	Jack Handle
9	10807	8	Soc. Hd. Cap Screw (1/4 X 1/2 Lg.)
10	351500	1	Cylinder Loop Hose
11	9675	2	Swivel Fitting
12	9681	1	Elbow Fitting
13	11127	1	Pipe Plug (3/8 NPTF)
14	9672	1	Tee Fitting
15	C1010C-PTP	2	Cylinder (10 ton; See Form #101465)
16	252576	1	Danger Decal
17	252570	1	Gripper Handle
18	252569	1	Gripper (.600)
	252567	1	Gripper (1/2 in.)
	252568	1	Gripper (3/8 in.)
19	252566	1	Gripper Block
20	252565	2	Retainer Plate
21	10053	2	Soc. Hd. Cap Screw (3/8 X 1-1/4 Lg.)
22	252562	1	Wedge Setter (3 in.)
23	252577	1	Warning Decal
24	252563	1	Nose Body
25	252564	1	Nose Piece (3 in.)
26	10006	2	Soc. Hd. Cap Screw (1/4 X 5/8 Lg.)
27	251057	1	Warning Decal
28	253584	1	Pictorial Decal (Read Instructions)
29	350988	1	CE Decal

PARTS INCLUDED BUT NOT SHOWN

309219 2 Trade Name Decal (Power Team)

Refer to any operating instructions included with this product for detailed information about operation, testing, disassembly, reassembly, and preventive maintenance.

Items found in this parts list have been carefully tested and selected. **Therefore: Use only genuine Power Team replacement parts!**

Additional questions can be directed to our Technical Services Department.

Note: Shaded areas reflect last revision(s) made to this form.