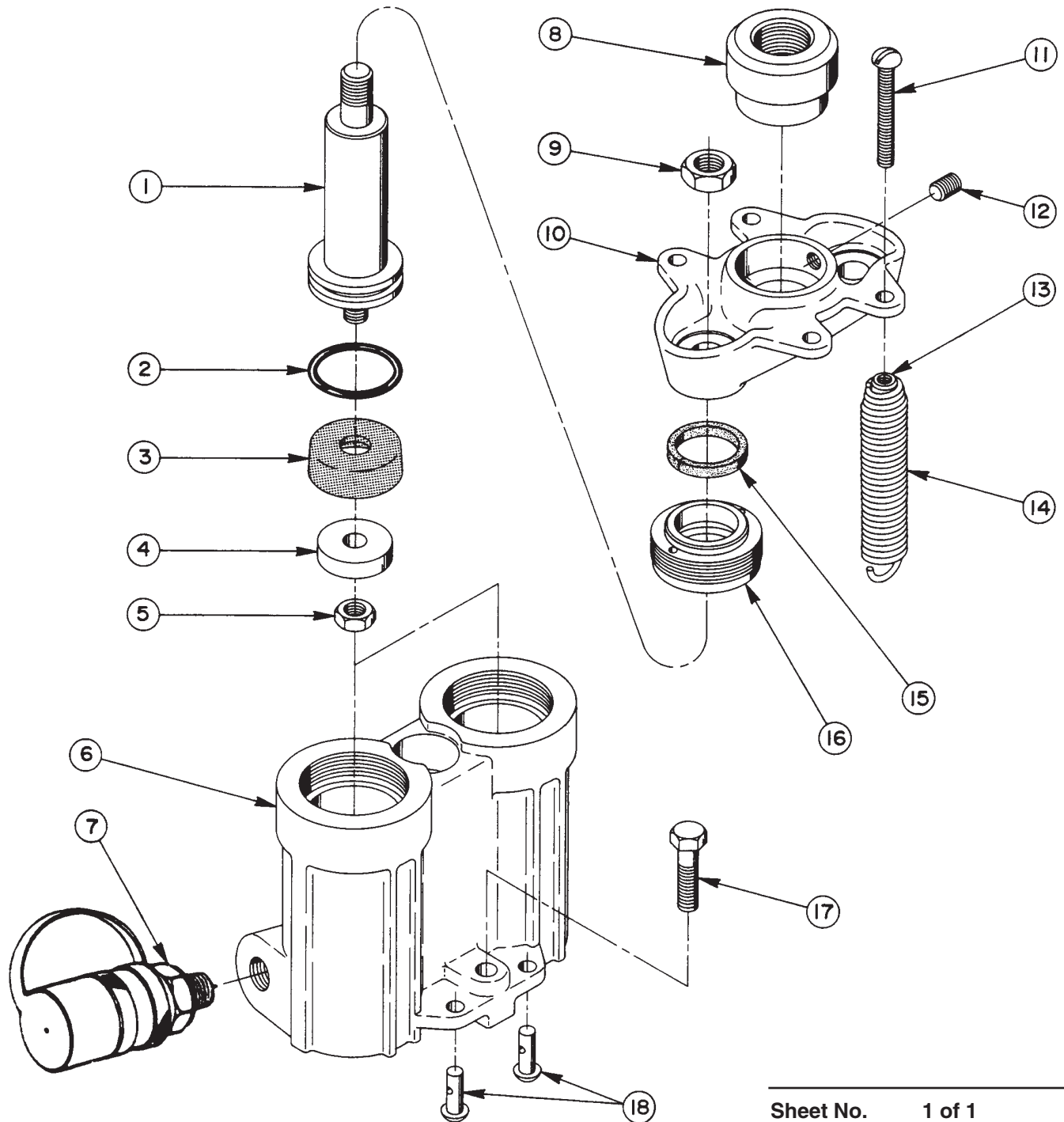


## SINGLE-ACTING, SPRING RETURN HYDRAULIC CYLINDER

Max. Capacity: 50 Tons At 10,000 PSI



Item No.	Part No.	No. Req'd	Description
1	31070	2	Piston
2	*10295	2	O-ring (2-1/2 x 2-1/4 x 1/8, -228)
3	*10355	2	Packing Cup
4	22276	2	Follower Plate
5	12726	2	Hex Jam Locknut (5/9-18 UNF)
6	50085	1	Cylinder Body
7	9796	1	Ram Half Coupler
8	22274	1	Tapped Insert
9	10396	2	Hex Jam Nut (3/4-16 UNF)
10	22273	1	Cross Head
11	19721	4	Machine Screw (3/8-16 UNC x 3" Lg.)
12	10150	1	Set Screw (3/8-16 UNC x 1/2 Lg.)
13	22279	4	Return Spring Nut
14	204966	4	Return Spring
15	*22280	2	Felt Wiper Ring
16	31071	2	Cylinder Nut
17	10100	2	Hex Hd. Cap Screw (5/8-18 UNF x 1-3/4 Lg.)
18	22278	4	Return Spring Rivet

**PARTS INCLUDED BUT NOT SHOWN**

*203908	1	Warning Decal
*12980	1	Warning Decal
252124	1	Decal

Part numbers marked with an asterisk (\*) are contained in Repair Kit No. 300360.

Refer to any operating instructions included with this product for detailed information about operation, testing, disassembly, reassembly, and preventive maintenance.

Items found in this parts list have been carefully tested and selected. **Therefore: Use only genuine Power Team replacement parts!**

Additional questions can be directed to our Technical Services Department.

NOTE: Shaded areas reflect last revision(s) made to this form.