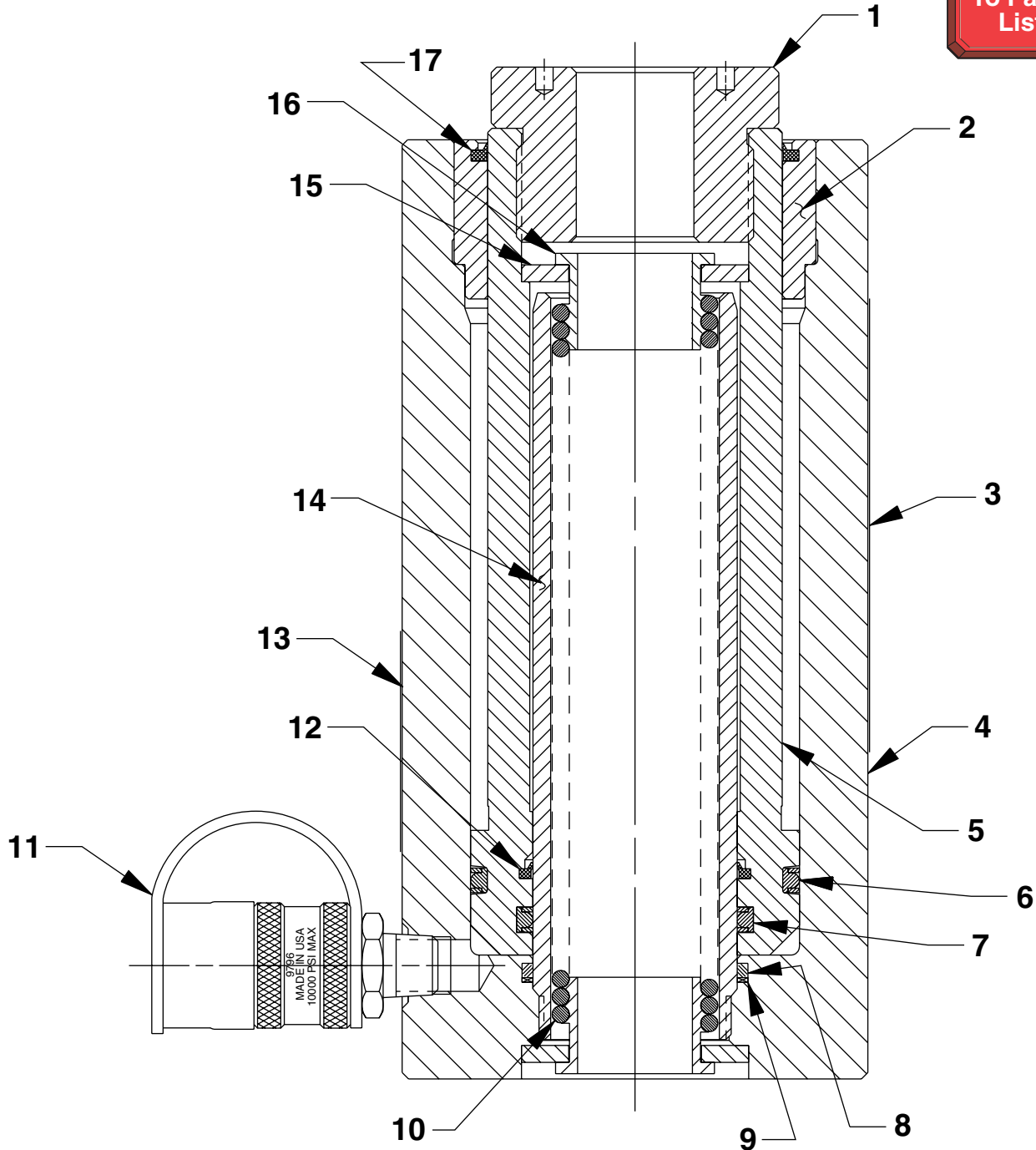


SINGLE-ACTING, HOLLOW CENTER, SPRING RETURN HYDRAULIC CYLINDER

Max. Capacity: 31.7 Tons At 10,000 PSI



Parts List, Form No. 101649, Back sheet 1 of 1

Item No.	Part No.	No. Req'd	Description
1	351158	1	Plain Insert (Torque to 40/50 ft. lbs.)
2	421184	1	Retainer Nut (Torque to 40/50 ft. lbs.)
3	351163	1	Trade Name Decal
4	65014	1	Cylinder Body
5	58717	1	Piston Rod
6	*19826	1	T-Seal (Piston) & Backup Rings
	†19827	1	T-Seal (Piston) & Backup Rings
7	*19824	1	T-Seal (Rod) & Backup Rings
	†19825	1	T-Seal (Rod) & Backup Rings
8	*10295	1	O-ring (2-1/2 x 2-1/4 x 1/8)
	†19040	1	O-ring (2-1/2 x 2-1/4 x 1/8)
9	†*19148	1	O-ring Backup Washer (2-1/2 X 2-1/4 X .048)
10	250304	1	Extension Spring
11	9796	1	Ram Half Coupler w/ Dust Cap
12	*16085	1	Rod Wiper
	†205716	1	Rod Wiper
13	†*203908	1	Warning Decal
14	351159	1	Cylinder Standpipe (Bottom out and back up 1/8 turn. Apply Loctite 242 to threads at assembly and cure for 20 hours minimum or use primer and loctite and cure for 2 hours minimum before testing.)
15	205106	4	Upper & Lower Half Lock
16	38903	2	Spring Retainer
17	*16311	1	Rod Wiper
	†206125	1	Rod Wiper
			PARTS INCLUDED BUT NOT SHOWN
	†205724	1	Decal (Viton Seals)



Part numbers marked with an asterisk (*) are contained in Repair Kit No. 300867.
Part numbers marked with a dagger (†) are contained in Viton Seal Kit No. 300868.

Refer to any operating instructions included with this product for detailed information about operation, testing, disassembly, reassembly, and preventive maintenance.

Items found in this parts list have been carefully tested and selected. **Therefore: Use only genuine Power Team replacement parts!**

Additional questions can be directed to our Technical Services Department.

Note: Shaded areas reflect last revision(s) made to this form.