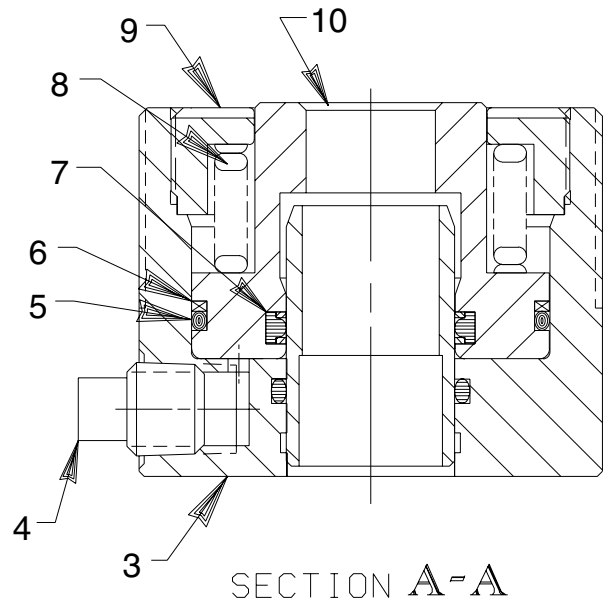
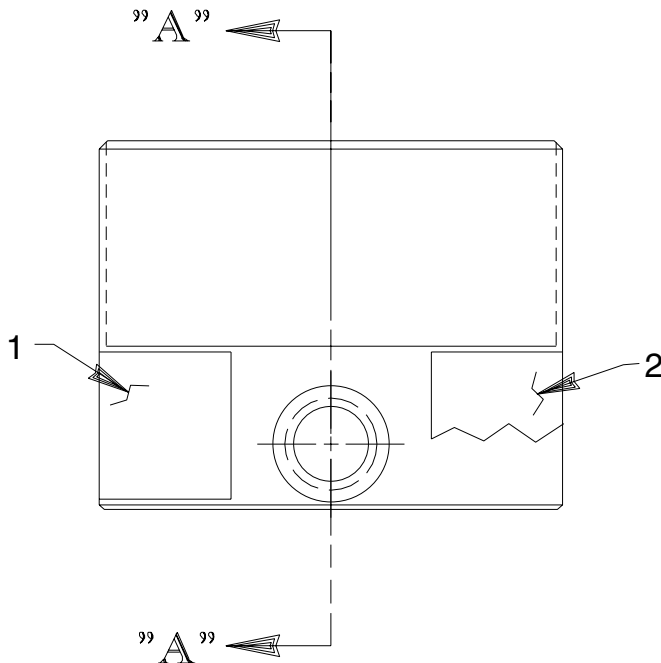


## SINGLE-ACTING, SPRING RETURN HYDRAULIC CYLINDER

Max. Capacity: 13.8 Ton (124,6 kN) At 10,000 PSI (700 Bar)

### WARNING:

To help avoid personal injury, use extreme care when disassembling this cylinder. The threaded end cap (Item #9) is loaded with 105 lbs. of spring force and releasing this spring force improperly could result in bodily harm.



Item No.	Part No.	No. Req'd	Description
1	*206392	1	Warning Decal
2	251421	1	Trade Name Decal (For RH120)
	251422	1	Trade Name Decal (For RH120N)
3	350812	1	Cylinder & Standpipe Assembly (For RH120)
	350816	1	Cylinder & Standpipe Assembly (For RH120N)
4	10970	1	Pipe Plug (1/4 NPTF)
5	*10922	1	O-ring (2-1/8 X 1-15/16 X 3/32, -135)

Item No.	Part No.	No. Req'd	Description
6	*251419	1	Backup Washer (-135)
7	*15171	1	T-seal w/ Rings
8	251420	1	Extension Spring
9	350811	1	Retainer Nut (Torque to 75 ft. lbs.)
10	420773	1	Piston Rod

#### PARTS INCLUDED BUT NOT SHOWN

306249 1 Thread Protector

Part numbers marked with an asterisk (\*) are contained in Repair Kit No. 300657.

Note: Shaded areas reflect last revision(s) made to this form.

Sheet No. 1 of 1

Issue Date: Rev. 9-22-95