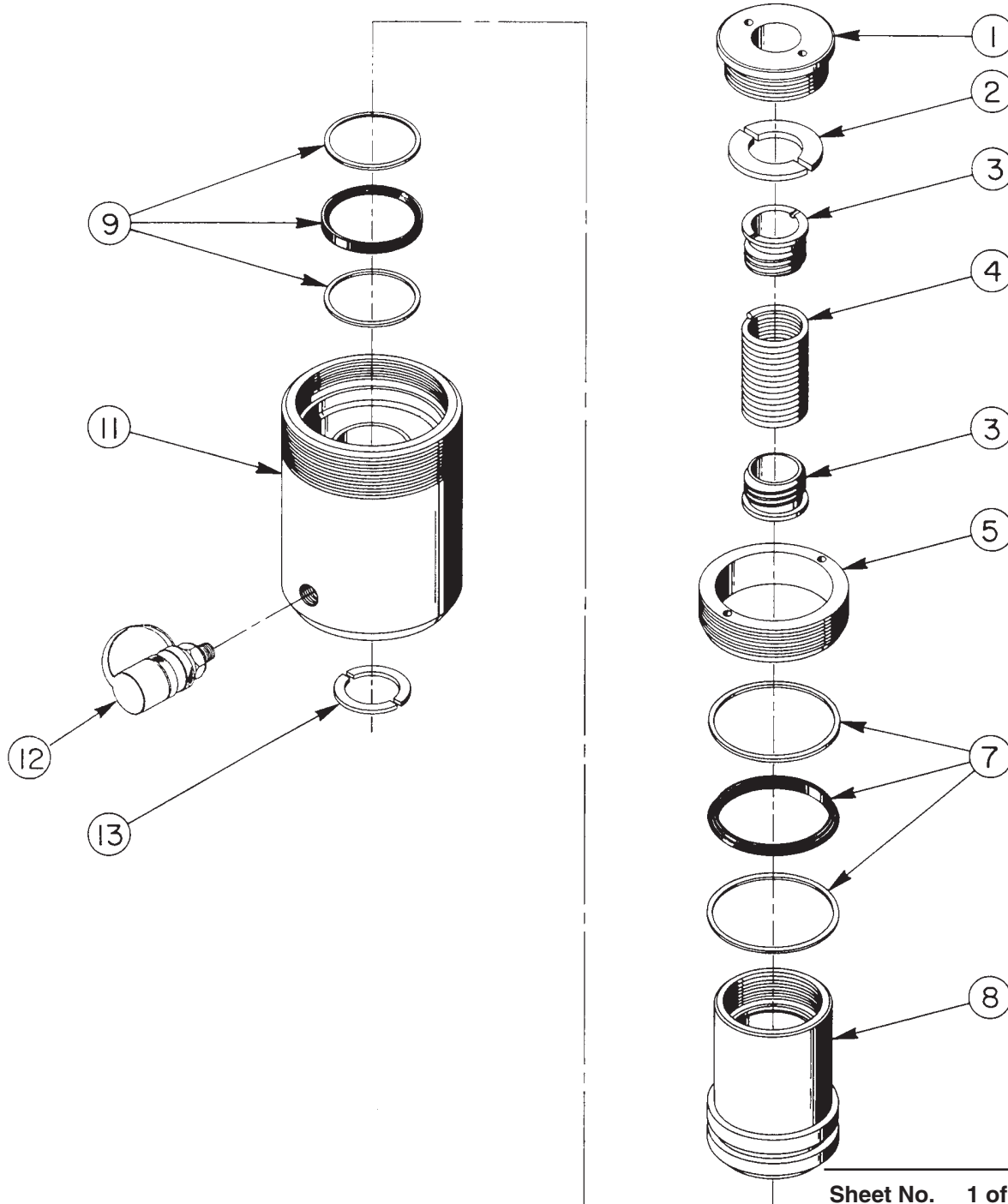


Parts List for:

5P-5247	RH102-PFAFF
6RH102S	RH102N
4131	RH108
RH102	45526

**MODEL C**  
**SINGLE-ACTING, HOLLOW CENTER, SPRING RETURN**  
**HYDRAULIC CYLINDER**  
Max. Capacity: 11 Tons (99,4 kN) At 10,000 PSI (700 Bar)



# Parts List, Form No. 100572, Back sheet 1 of 1

Item No.	Part No.	No. Req'd	Description
1	28631	1	Insert
	28632	1	Insert (For 45526)
2	205123	2	Upper Spring Lock
3	28628	2	Spring Retainer
4	14255	1	Extension Spring (For all models except RH108)
	251177	1	Extension Spring (For RH108)
5	28624	1	Gland Nut
7	*14253	1	T-Seal & Backup Rings (Smooth side of Backup Ring must be against seal.)
	†19238	1	T-Seal & Backup Rings (Smooth side of Backup Ring must be against seal.)
8	34120	1	Piston Rod (For all models except RH108)
	350703	1	Piston Rod (For RH108)
9	*14254	1	T-Seal & Backup Rings (Smooth side of Backup Ring must be against seal.)
	†19234	1	T-Seal & Backup Rings (Smooth side of Backup Ring must be against seal.)
11	34149	1	Cylinder/Standpipe Ass'y (Unpainted; For all models except RH108 & RH102N)
	350704	1	Cylinder/Standpipe Ass'y (For RH108)
	351155	1	Cylinder/Standpipe Ass'y (For RH102N)
12	9796	1	Ram Half Coupler w/Dust Cap (For RH102, RH102N, RH108, RH102-PFAFF, 45526 & 4131)
	210916	1	Ram Half Coupler (For 6RH102S)
	1P-2375	1	Ram Half Coupler (For 5P-5247 Only)
	1P-7437	1	Dust Cover (For 5P-5247 Only)
13	205124	2	Lower Spring Lock

## PARTS INCLUDED BUT NOT SHOWN

351154	1	Trade Name Decal (For RH102N)
304749	1	Trade Name Decal (For RH102 & 45526)
351530	1	Trade Name Decal (For 4131)
306090	1	Trade Name Decal (For 5P-5247)
305097	1	Trade Name Decal (For 6RH102S)
350702	1	Trade Name Decal (For RH108)
*203908	1	Warning Decal (For all models except RH102-PFAFF)
203908-CE	1	Warning Decal (For RH102-PFAFF)
†19526	1	O-ring (1" X 3/4 X 1/8, for coupler)
†205724	1	Decal (Viton)
252184	1	Tradename Decal (For RH102-PFAFF)

Parts marked with an asterisk (\*) are contained in Repair Kit No. 300071.  
 Parts marked with a dagger (†) are contained in Viton Seal Kit No. 300221.

Refer to any operating instructions included with this product for detailed information about operation, testing, disassembly, reassembly, and preventive maintenance.

Items found in this parts list have been carefully tested and selected. **Therefore: Use only genuine replacement parts!**

Additional questions can be directed to our Technical Services Department.

Note: Shaded areas reflect last revision(s) made to this form.