

Parts List for:

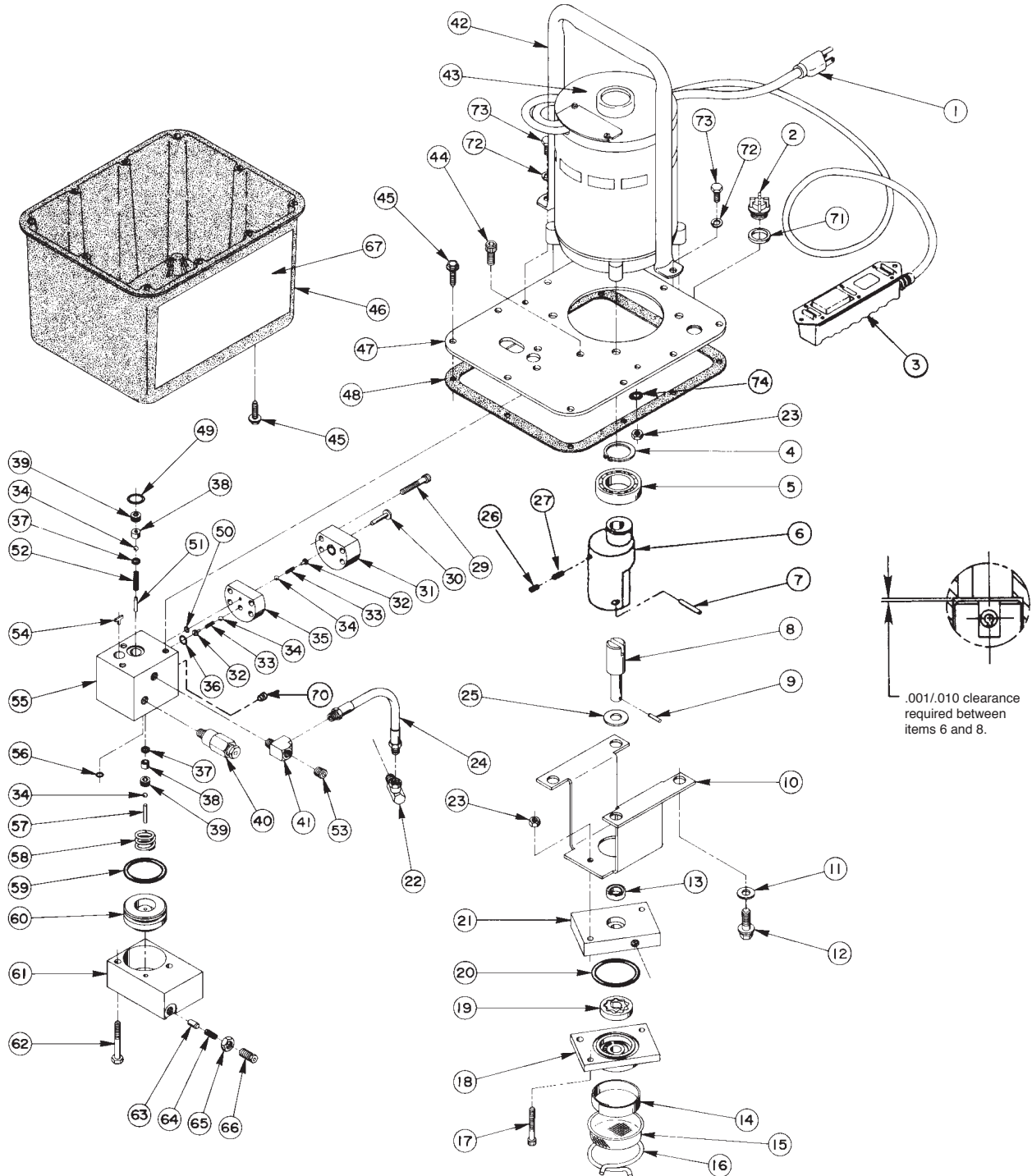
99150-B
HE172
HE174
P116-10
PA172
PA174
PE17-PARK

PE17-SOLO
*PE172
PE172-ABC
PE172-ET-230
PE172-FS
*PE172A
PE172A-BOC
PE172A-DAYCO
PE172A-EZE
PE172A-FINN
PE172A-GRC
PE172A-ITR
PE172AF-CLEV
PE172AH-CLEV

*PE172AM
PE172AM-50-220
PE172F-CLEV
PE172H-CLEV
*PE172M
*PE172M-50-220
PE172SF-CLEV
PE172-220-PFAFF
PE173-PC
*PE174
*PE174M
PE174M-ETT
PE174M-50-220
PE174-220-PFAFF

* Model B Units.

HYDRAULIC PUMP



Item No.	Part No.	No. Req'd	Description
1	24733	1	Cord Set (Elect. Version)
2	20937	1	Filler/Vent Plug
	†27142	1	Filler/Vent Plug
3	25017	1	Remote Hand Switch Ass'y (Elect. Version; See Form No. 101644)
	10461	1	Remote Foot Switch Ass'y (For P116-10, PE172AF-CLEV, PE172-FS PE172F-CLEV, & PE172H-CLEV)
4	209798	1	Retaining Ring (1-3/16 Shaft)
5	209805	1	Ball Bearing
6	45596	1	Eccentric
7	10973	1	Slotted Spring Pin
8	304835	1	Drive Shaft
9	209794	1	Gerotor Drive Pin
10	52174	1	Pump Mounting Bracket
11	10258	4	Washer (3/8 bolt)
12	213663	4	Cap Screw (3/8-16 UNC X 1" Lg.; Torque to 230/250 in. lbs.)
13	*304830	1	Seal
	†250156	1	Seal
14	21846	1	Filter Support
15	21608	1	Filter
16	11461	1	Clamp Ring
17	10854	2	Cap Screw (1/4-20 UNC X 1-3/4 Lg.; Torque to 60/80 in. lbs.)
18	61169	1	Lower Gerotor Housing
19	304826	1	Gerotor Set
20	*10922	1	O-ring (2-1/8 X 1-15/16 X 3/32)
	†250158	1	O-ring (2-1/8 X 1-15/16 X 3/32)
21	61170	1	Upper Gerotor Housing
22	14440	1	Swivel Elbow Fitting
23	10199	4	Nut (Air & Electric Versions)
24	304819	1	Hose Ass'y
25	12595	1	Brass Washer (1/2 Bolt)
26	10519	1	Set Screw (Torque to 60/80 in. lbs.)
27	10136	1	Set Screw (Air Version)
29	10022	4	Cap Screw (1/4-20 UNC X 1-1/2 Lg.; Torque to 110/130 in. lbs.)
30	304820	1	High Pressure Piston
31	45560	1	Piston Block
32	24549	2	Valve Guide
33	*10445	2	Compression Spring (5/32 O.D. X 3/4 Lg.)
34	*12223	4	Ball (3/16 Dia.)
35	45559	1	Check Block
36	*14763	1	O-ring (7/16 X 5/16 X 1/16)
	†13472	1	O-ring (7/16 X 5/16 X 1/16)
37	*10442	2	Copper Washer (3/8 X 1/4 X 1/32 Thk.)
38	*209787	2	Replaceable Seat
39	209797	2	Hollow Lock Screw (7/16-20 UNF-3A; Torque to 110/130 in. lbs.)
40	21278	1	Relief Valve Ass'y
	21278-88	1	Relief Valve Ass'y (For PE172A-ITR & PE172A-FINN; Set at 8,900/9,500)
41	19463	1	Tee Fitting
42	47492	1	Handle (Air & Electric Versions)
43	58196WH2	1	Electric Motor
	58196BK2	1	Electric Motor (For PE172AF-CLEV, PE172AH-CLEV, PE172F-CLEV, & PE172H-CLEV)
	58196BL20	1	Electric Motor (For P116-10)
	13643	1	Air Motor (For models PA172, & PA174 manufactured after July 1991)
44	10030	1	Cap Screw (5/16-18 UNC X 3/4 Lg.; Torque to 220/240 in. lbs.)
45	209799	AR	Self-Tapping Screw (1/4-10 X 7/8 Lg.)
	10177	10	Screw (1/4-20 UNC X 3/4 Lg.; For pumps with metal reservoirs.)
46	61165	1	Reservoir
	61165BK2	1	Reservoir (For PE172AF-CLEV, PE172AH-CLEV, PE172SF-CLEV, PE172F-CLEV, & PE172H-CLEV)
	64538OR9	1	Reservoir (For PE172M, PE172AM, PE174AM, PE172AM-50-220, PE172A-50-220 & PE174M-50-220)
	40063OR9	1	Reservoir (For PE17-SOLO)

Item No.	Part No.	No. Req'd	Description
47	61166BK2	1	Cover Plate
	61166RE2	1	Cover Plate (For P116-10)
	66218BK2	1	Cover Plate (For PE17-PARK, PE172-ABC, PE172A-BOC & PE17-SOLO)
48	*40164	1	Cover Gasket
49	*10273	1	O-ring (13/16 X 5/8 X 3/32)
	†250157	1	O-ring (13/16 X 5/8 X 3/32)
50	*10265	1	O-ring (5/16 X 3/16 X 1/16)
	†17714	1	O-ring (5/16 X 3/16 X 1/16)
51	12149	1	Dowel Pin (1/8 Dia. X 3/4 Lg.)
52	*16057	1	Compression Spring (3/16 O.D. X 1" Lg.)
53	10427	1	Pipe Plug (1/8 NPTF)
54	209795	1	Outlet Ball Stop
55	61167	1	Check Body
56	*10266	1	O-ring (3/8 X 1/4 X 1/16)
	†17715	1	O-ring (3/8 X 1/4 X 1/16)
57	211843	1	Dowel Pin (3/16 Dia. X 1" Lg.; Loctite Pin in Piston Hole with Radius End Out)
58	*16346	1	Compression Spring (1" O.D. X 7/8 Lg.)
59	*10283	1	O-ring (2" X 1-5/8 X 3/16)
	†250159	1	O-ring (2" X 1-5/8 X 3/16)
60	46063	1	Automatic Valve Piston
61	52167	1	Automatic Valve Block
62	13037	2	Cap Screw (1/4-20 UNC X 2" Lg.; Torque to 40/50 in. lbs.)
63	15156	1	Dowel Pin (1/4 Dia. X 1/2 Lg.; Tapered End Toward Spring)
64	11221	1	Compression Spring (1/4 O.D. X 1" Lg.)
65	10386	1	Locknut (3/8-24 UNF)
66	*29786	1	Adjusting Screw
67	309219	2	Trade Name Decal (For PE17 Series)
	305101	2	Trade Name Decal (For HE172)
	305257	2	Trade Name Decal (For HE174)
	211929	2	Trade Name Decal (For 99150-B)
	252187	2	Trade Name Decal (For PE172-220-PFAFF & PE174-220-PFAFF)
70	15130	1	Pipe Plug (1/8 NPTF)
71	200415	1	Rubber Seal
	†17723	1	Rubber Seal
72	10245	2	Lockwasher (1/4 Bolt; Air & Electric Versions)
73	10009	2	Cap Screw (1/4-20 UNC X 3/4 Lg.; Torque to 60/80 in. lbs.; Air & Electric Versions)
74	11351	2	Washer (Electric Versions)

PARTS INCLUDED BUT NOT SHOWN

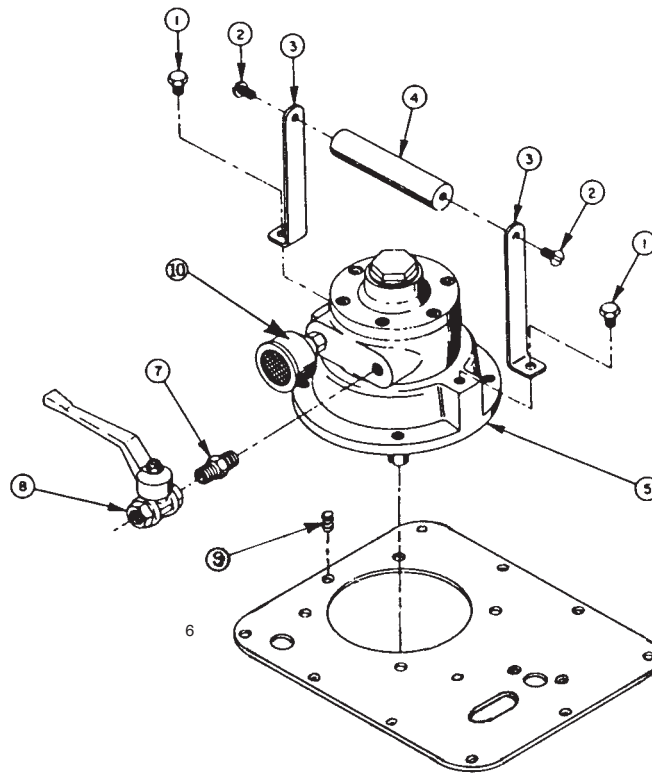
*200188	1	Warning Decal (Elect. versions)
203972	1	Decal (CSA Approval; For PE172A-ITR & PE172A-FINN)
†250328	1	Decal (EPR Seals)
†11278	1	Tube Elbow
†15061	1	Male Connector
†251229	1	Oil Line
10673	1	Fitting (For PE172AF-CLEV & PE172AH-CLEV)
251617	1	Coupler (For PE172AF-CLEV, PE172AH-CLEV, PE172F-CLEV, & PE172H-CLEV)
10909	1	Plug Fitting (3/8 NPTF; For PE172AF-CLEV, & PE172AH-CLEV)
251874	1	Decal (ISO; For PE172A-DAYCO)
9796	1	Coupler (For PE172A-EZE)
351060	1	Gasket (Between motor and cover plate)
253524	1	Serial No. Decal (PFAFF; For PE172-220-PFAFF)
16339	1	Foot Switch Guard (For P116-10)
42576WH2	1	Control Box Cover (For PE17-SOLO)
16254	1	90° Elbow Fitting (For PE172F-CLEV & PE172H-CLEV)

Part numbers marked with an asterisk (*) are contained in Repair Kit No. 300430.
Part numbers marked with a dagger (†) are contained in EPR Seal Kit No. 300648.

AIR MOTOR VERSION

(For model no.'s PA172 & PA174 manufactured before July 1991)

Note: For air version pump models manufactured after July 1991, refer to the list on page 2



Item No.	Part No.	No. Req'd	Description
1	11573	2	Cap Screw (5/16-18 UNC X 1/2 Lg.)
2	10174	2	Machine Screw (1/4-20 UNC X 1/2 Lg.)
3	28157	2	Bracket
4	28158	1	Handle
5	*33405	1	Air Motor
6	15668	1	Set Screw (1/4-20 UNC X 1/2 Lg.; Turn in Until Flush with Cover Plate)
7	12328	1	Straight Fitting (For PA172 & PA174)
8	13645	1	Directional Valve (For PA172 & PA174)
10	252579	1	Muffer

***Note: For air motor repair kit, order no. 252170.**

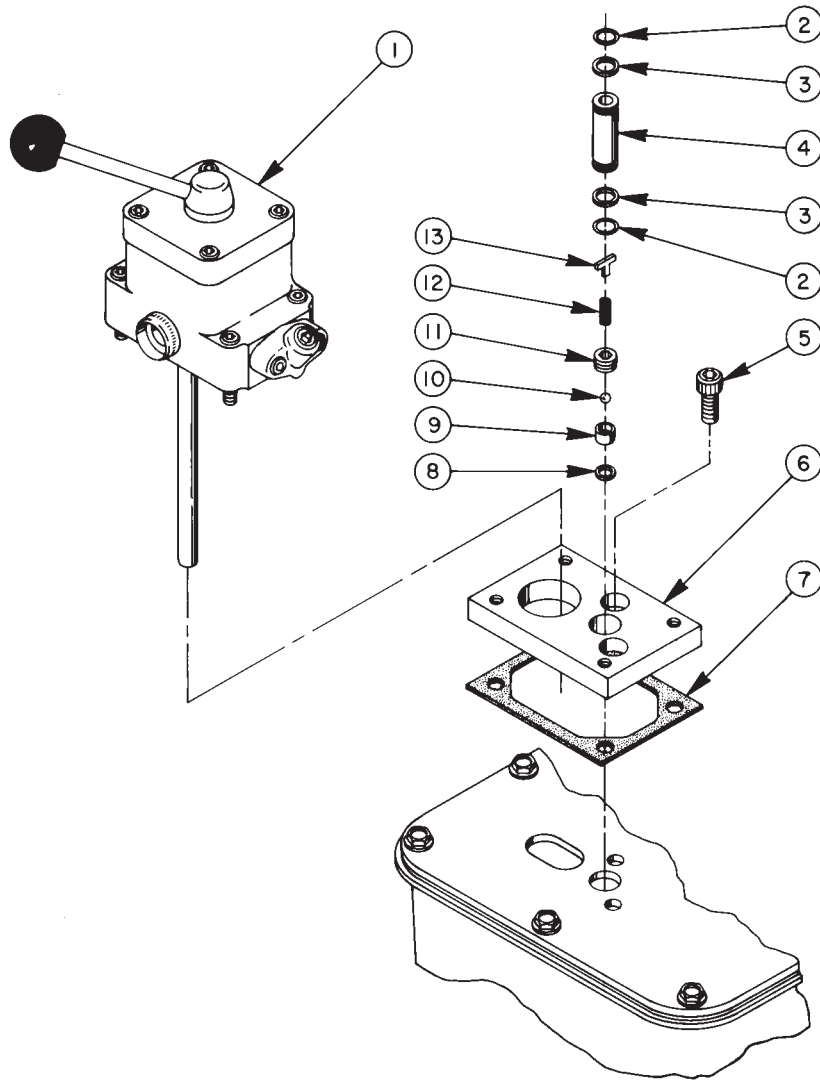
Refer to any operating instructions included with this product for detailed information about operation, testing, disassembly, reassembly, and preventive maintenance.

Items found in this parts list have been carefully tested and selected. **Therefore: Use only genuine replacement parts!**

Additional questions can be directed to our Technical Services Department.

OPTIONAL VALVE ASSEMBLIES

4-Way Tandem Center Directional Valve



Item No.	Part No.	No. Req'd	Description	Item No.	Part No.	No. Req'd	Description
1	9500	1	4-Way Valve Ass'y (see Form No. 100623)	7	*200395	1	Gasket
2	•*10268	2	O-ring (1/2 X 3/8 X 1/16)	8	•*10442	1	Copper Washer (1/4 Bolt)
	†17716	2	O-ring (1/2 X 3/8 X 1/16)	9	•*209787	1	Replaceable Seat
3	•*11863	2	Backup Washer (1/2 X 3/8 X 1/16)	10	•*12223	1	Steel Ball (3/16 Dia.)
4	209809	1	Coupling	11	209797	1	Hollow Lock Screw (7/16-20 UNF-3A; Torque to 110/130 in. lbs.)
5	10030	2	Cap Screw (5/16-18 UNC X 3/4 Lg.; Torque to 220/240 in. lbs.)	12	*211797	1	Compression Spring (5/32 O.D. X 5/8 Lg.)
6	52165	1	Adapter Block Manifold	13	•209795	1	Outlet Ball Stop

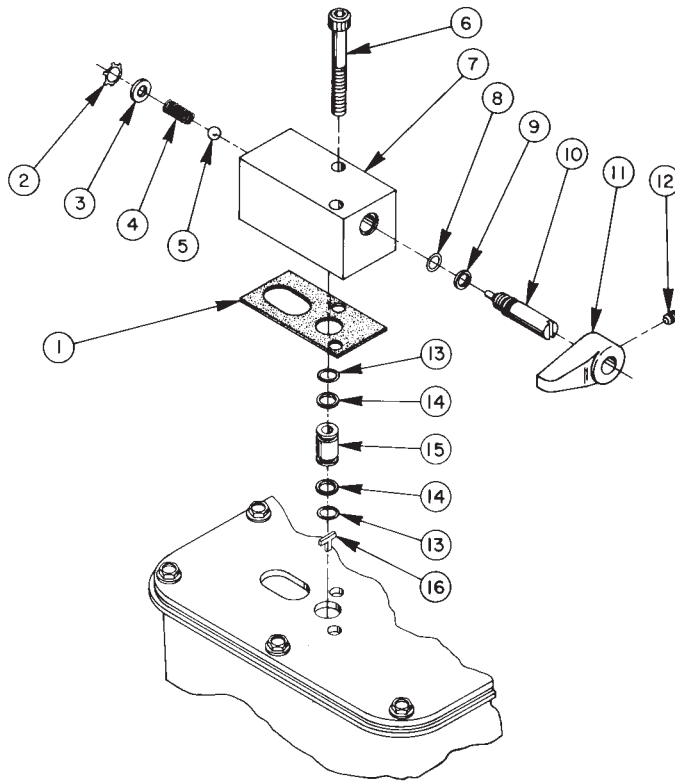
Part numbers marked with an asterisk (*) are contained in Repair Kit No. 300430.

Part numbers marked with a dagger (†) are contained in EPR Seal Kit No. 300648.

Part numbers marked with a bullet (•) are contained in Outlet Check Repair Kit No. 300606.

OPTIONAL VALVE ASSEMBLIES

2 Position, 2-Way Manual Valve

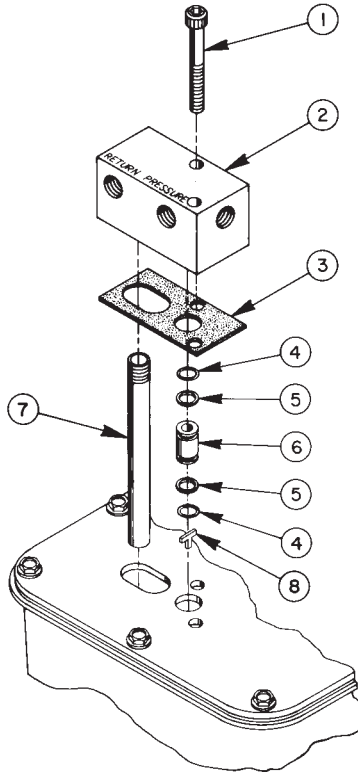


Item No.	Part No.	No. Req'd	Description
1	*304829	1	Gasket
2	*11088	1	Retaining Ring (9/16 Shaft)
3	11089	1	Washer (3/16 Bolt)
4	*11024	1	Compression Spring (1/4 O.D. X 5/8 Lg.)
5	*10423	1	Steel Ball (9/32 Dia.)
6	209945	2	Cap Screw (5/16-18 UNC X 2-1/2 Lg.; Torque to 220/240 in. lbs.)
7	52168	1	Valve Body
8	*10267	1	O-ring (7/16 X 5/16 X 1/16)
	†13472	1	O-ring (7/16 X 5/16 X 1/16)
9	*15085	1	Backup Washer (7/16 X 5/16 X 3/64 Thk.)

Item No.	Part No.	No. Req'd	Description
10	304849	1	Release Valve Screw
11	213109	1	Release Valve Handle
12	10556	1	Set Screw (1/4-20 UNC X 1/4 Lg.; Torque to 30/50 in. lbs.)
13	*10268	2	O-ring (1/2 x 3/8 X 1/16)
	†17716	2	O-ring (1/2 x 3/8 X 1/16)
14	*11863	2	Backup Washer (1/2 X 3/8 X 1/16)
15	202505	1	Coupling
16	209795	1	Outlet Ball Stop (Part of the Basic Pump Ass'y)
	52170	1	Complete Valve Ass'y (Consists of Items 1 thru 15)

Part numbers marked with an asterisk (*) are contained in Repair Kit No. 300430.
Part numbers marked with a dagger (†) are contained in EPR Seal Kit No. 300648.

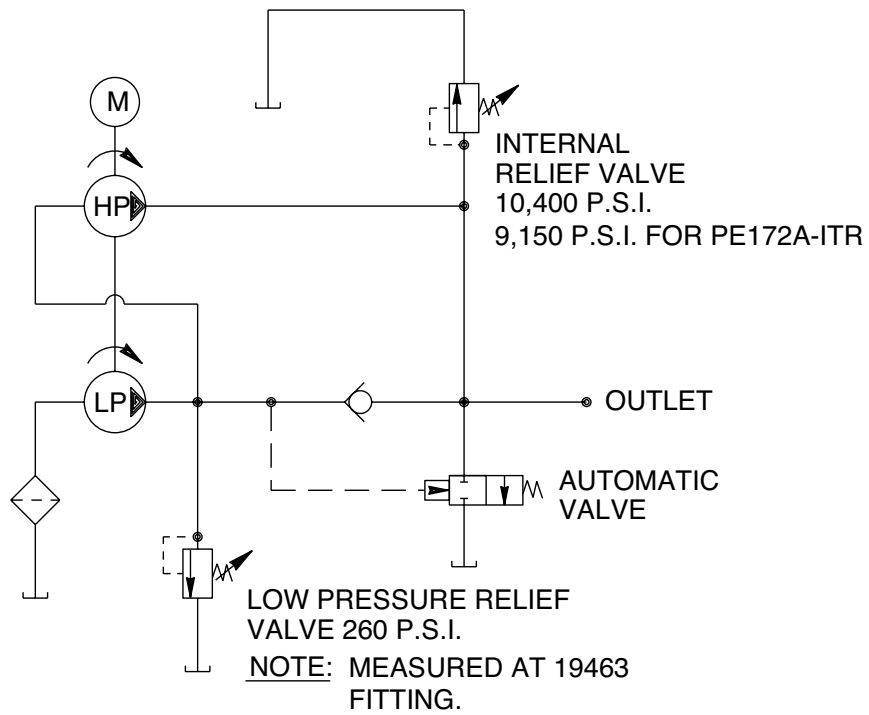
MANIFOLD ASSEMBLY



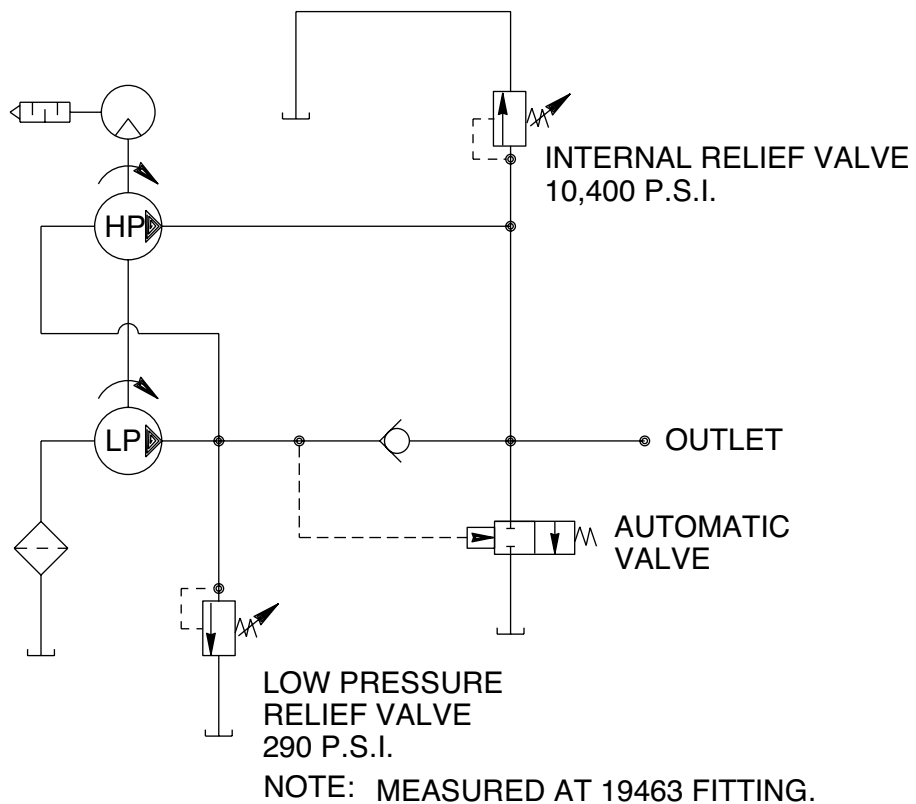
Item No.	Part No.	No. Req'd	Description	Item No.	Part No.	No. Req'd	Description
1	209945	2	Cap Screw (5/16-18 UNC X 2-1/2 Lg.; Torque to 220/240 in. lbs.)	6	202505	1	Coupling (1/2 X 3/8 X 1/16)
2	45554	1	Manifold	7	200609	1	Drain Line
3	*304829	1	Gasket	8	209795	1	Outlet Ball Stop (Part of the Basic Pump Ass'y)
4	*10268	2	O-ring (1/2 X 3/8 X 1/16)				
	†17716	2	O-ring (1/2 X 3/8 X 1/16)				
5	*11863	2	Backup Washer				

Part numbers marked with an asterisk (*) are contained in Repair Kit No. 300430.
 Part numbers marked with a dagger (†) are contained in EPR Seal Kit No. 300648.

HYDRAULIC SCHEMATIC FOR ELECTRIC MOTOR PUMPS

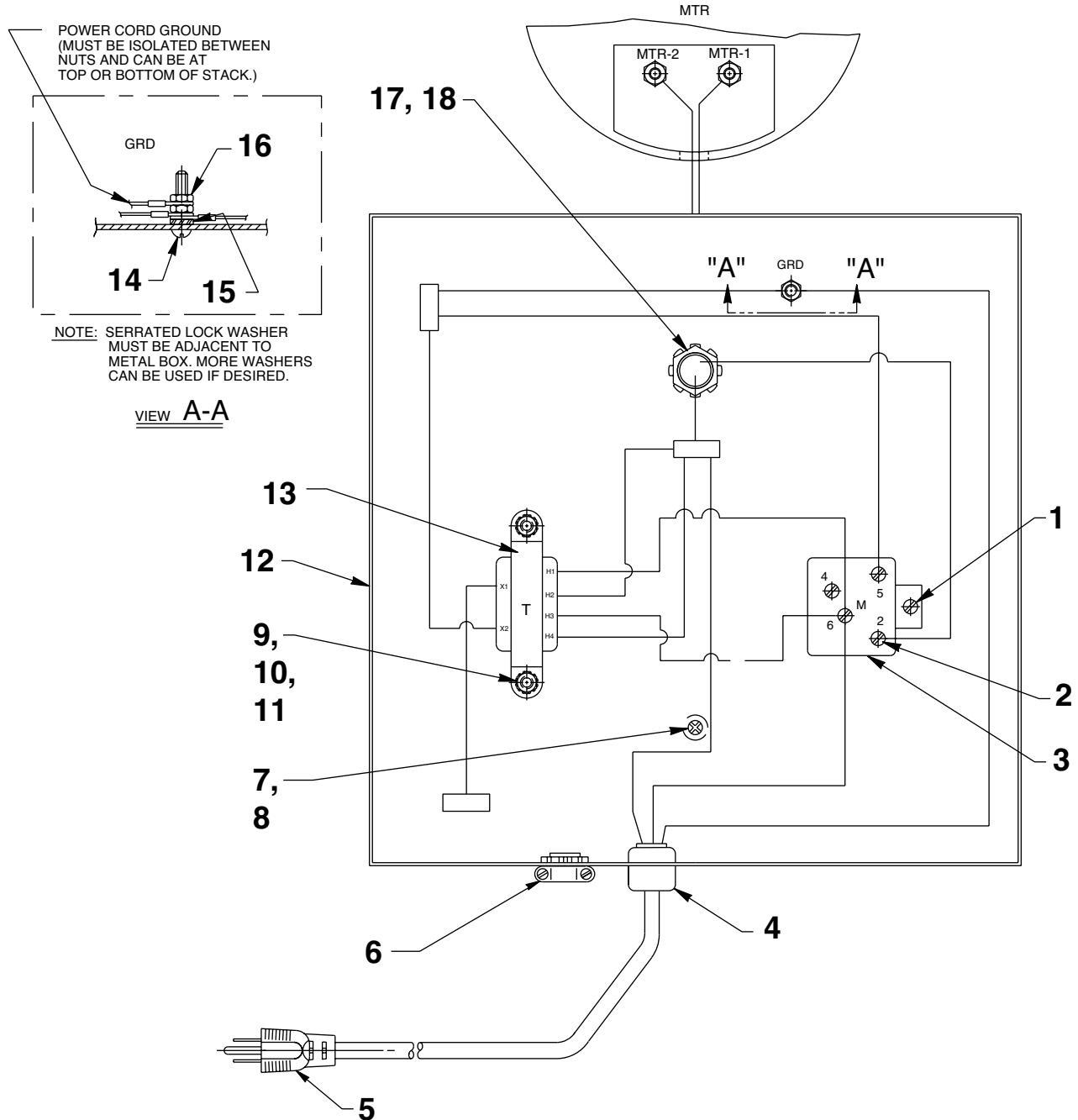


HYDRAULIC SCHEMATIC FOR AIR MOTOR PUMPS



MOTOR CONTROL ASSEMBLY FOR PE172A-EZE

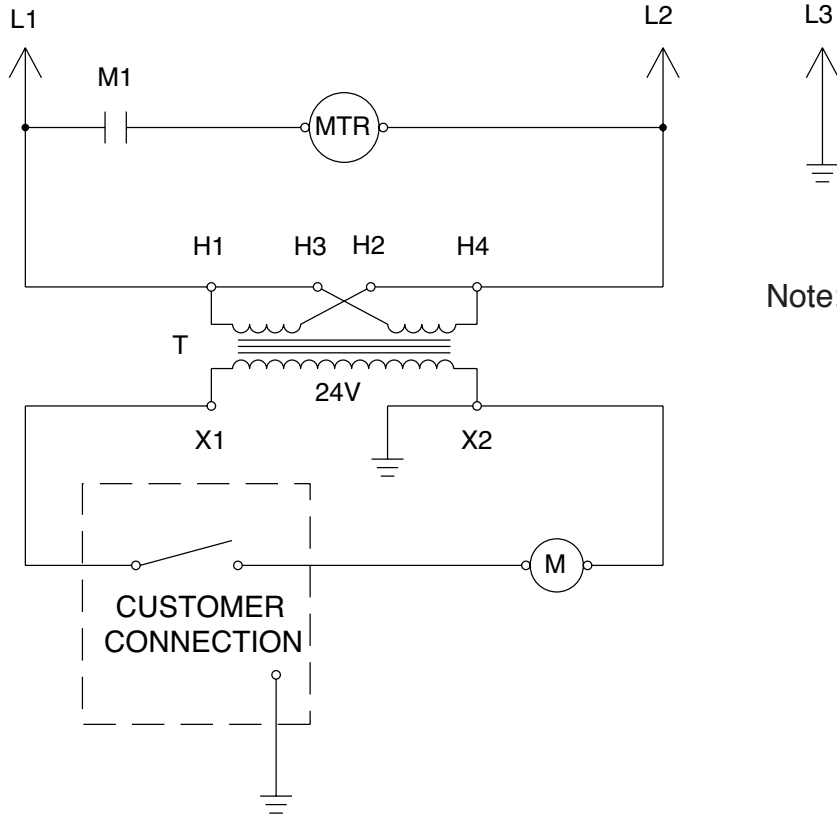
FOR PROPER MOTOR VOLTAGE CONNECTION
AND ROTATION SEE CONNECTION INFORMATION
SUPPLIED WITH MOTOR.



Item No.	Part No.	No. Req'd	Description
1	17370	1	Screw (6-20 X 1/4 Lg.)
2	10975	4	Screw (8-32 UNC X 5/16 Lg.)
3	14667	1	Starter Electrical Relay
4	15993	2	Strain Relief Bushing
5	24733	1	Cord (8 ft.; For 115 V. pumps)
	12293	7'	Electrical Cable (For 220 V. pumps)
6	11203	1	Conduit Connector
7	252253	1	Screw (8-32 x 3/8 Lg.)
8	12355	2	Washer (For #8 bolt)
9	10962	2	Screw (8-32 UNC X 1/2 Lg.)

Item No.	Part No.	No. Req'd	Description
10	10196	2	Nut (#8-32 UNC)
11	11388	2	Washer (#8 External Tooth)
12	42575WH2	1	Electrical Control Box
13	305665	1	Transformer
14	10167	1	Screw (#10-24 UNC X 3/4 Lg.)
15	11108	1	Washer (#10 External Tooth)
16	10197	2	Nut (#10-24 UNC)
17	11202	1	Nipple
18	11362	1	Conduit Locknut

ELECTRICAL SCHEMATIC FOR PE172A-EZE

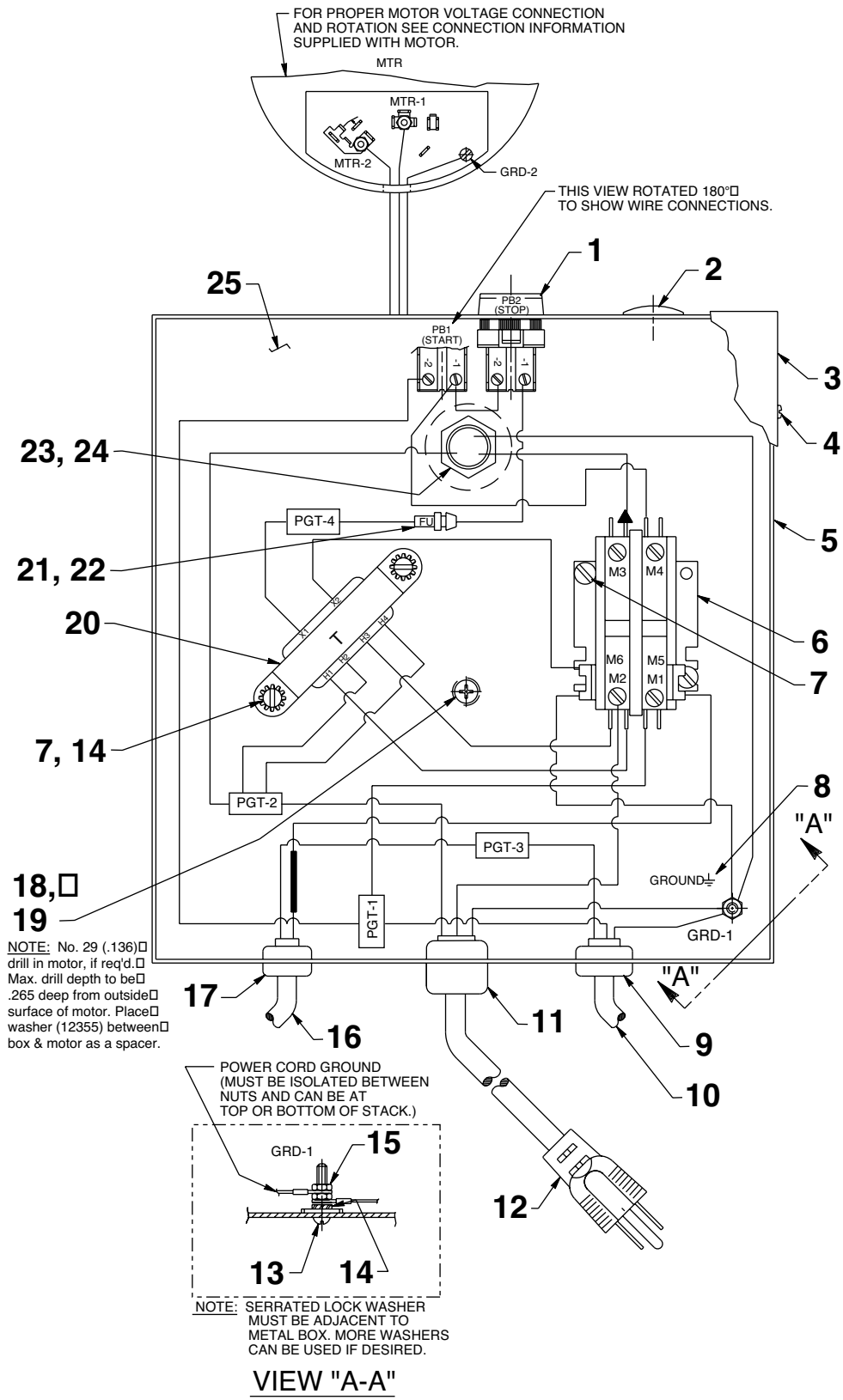


Note: Transformer connections are as shown for 115 v., 50/60 Hz.

For 220 v., 50/60 Hz. units, transformer connections to be as follows:

- H1 to L1
- H2 to H3
- H4 to L2

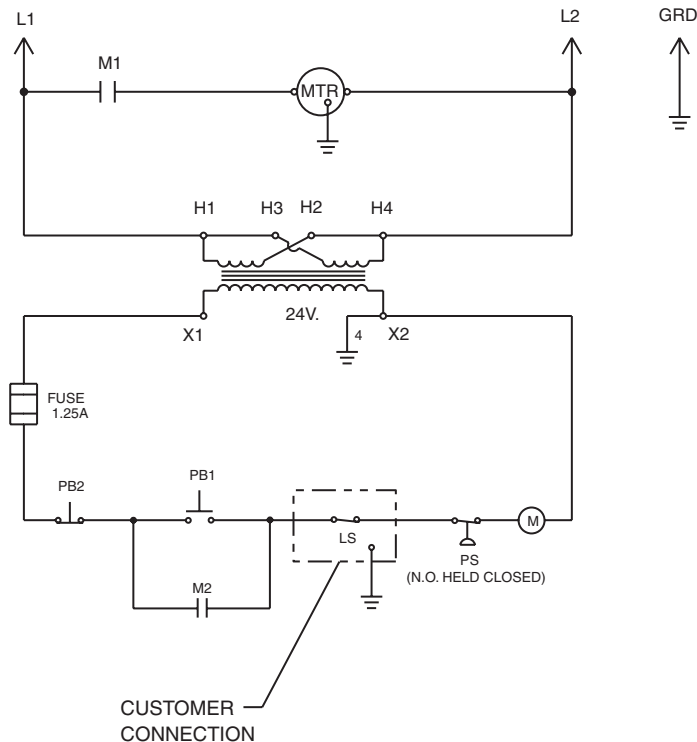
MOTOR CONTROL ASSEMBLY FOR PE172-ABC



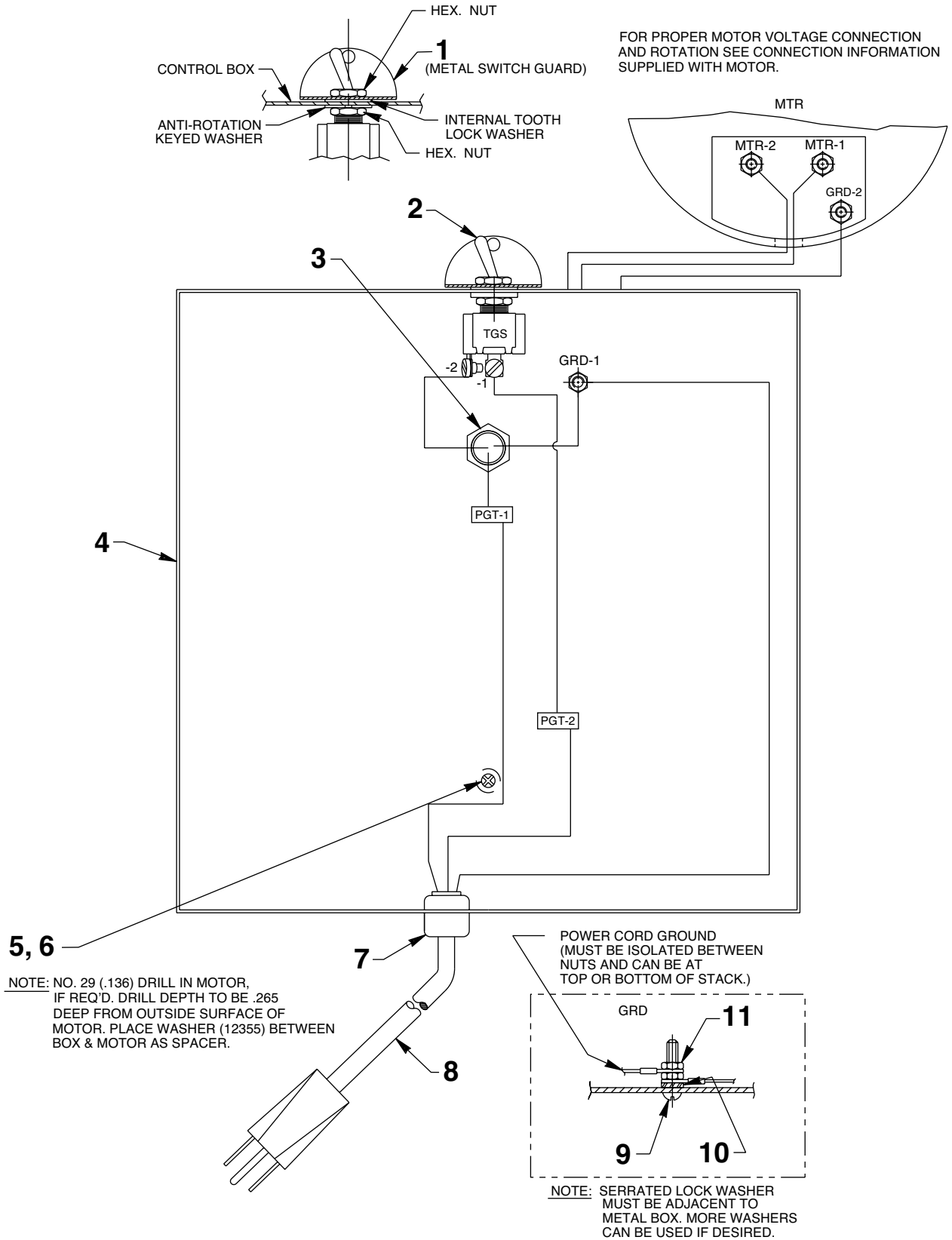
Item No.	Part No.	No. Req'd	Description
1	309019	1	Push Button Switch
2	17782	1	Snap Plug
3	43126WH2	1	Control Box Cover
4	14812	4	Pan Hd. Screw (8-18 x 3/8)
5	51218WH2	1	Electrical Control Box
6	420718-4	1	Contactor (2 pole)
7	11539	4	Rnd. Hd. Screw (10-24 x 1/4)
8	205189	1	Ground Decal
9	15993	1	Strain Relief Bushing
10	12908	3'	Cable (18/3 SJTO)
11	210112	1	Strain Relief Bushing
12	307440	1	Cord (8' Lg.; 115 V. 12/3 SJTO)
13	11856	1	Rnd. Hd. Screw (10-24 x 1)

Item No.	Part No.	No. Req'd	Description
14	11108	3	Ext. Tooth Washer (.40 x .20)
15	10197	2	Hex Nut (10-24)
16	52203	1	Pressure Switch (See Form No. 100589)
17	215857	1	Strain Relief Bushing
18	13532	1	Pan Hd. Screw (8-32 x 1/2)
19	206857	1	Special Washer (.53 x .21)
20	305665	1	Transformer
21	250442	1	Fuse (1.25 AMP 250 V.)
22	16887	1	Fuse Holder
23	11202	1	Nipple
24	212434	1	Plain Washer (1.76 x .95)
25	250440	1	Warning Decal

ELECTRICAL SCHEMATIC FOR PE172-ABC



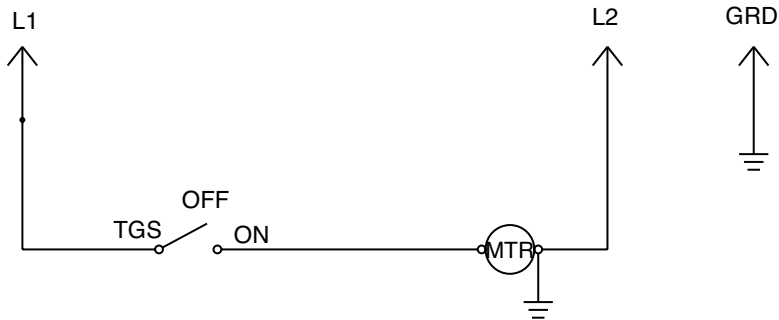
MOTOR CONTROL ASSEMBLY FOR PE17-SOLO



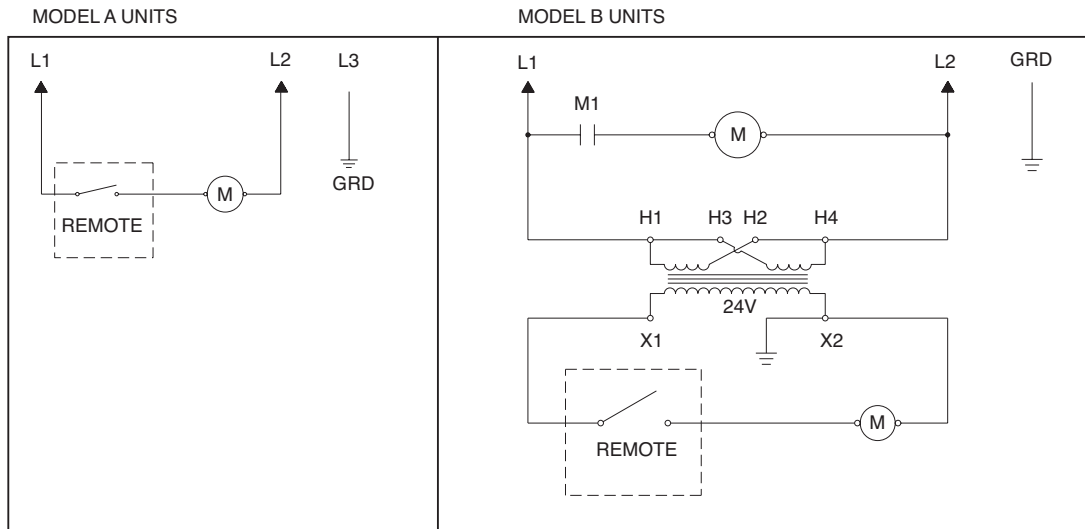
Item No.	Part No.	No. Req'd	Description
1	352061	1	Switch Guard
2	12301	1	Toggle Switch
3	11202	1	Nipple
4	42575WH2	1	Electrical Control Box
5	252253	1	Pan Hd. Screw (8-32 x 3/8)
6	12355	1	Plain Washer (.44 x .19)
7	15993	1	Strain Relief Bushing

Item No.	Part No.	No. Req'd	Description
8	24733	1	Cord (8' Lg.; 115 V. 16/3 SJTO)
9	10167	1	Rnd. Hd. Screw (10-24 x 3/4)
10	11108	1	Ext. Tooth Washer (.40 x .20)
11	10197	2	Hex Nut (10-24)

ELECTRICAL SCHEMATIC FOR PE17-SOLO



ELECTRICAL SCHEMATIC FOR PUMPS WITH REMOTE CONTROLS



ELECTRICAL SCHEMATIC FOR PE172A-BOC

