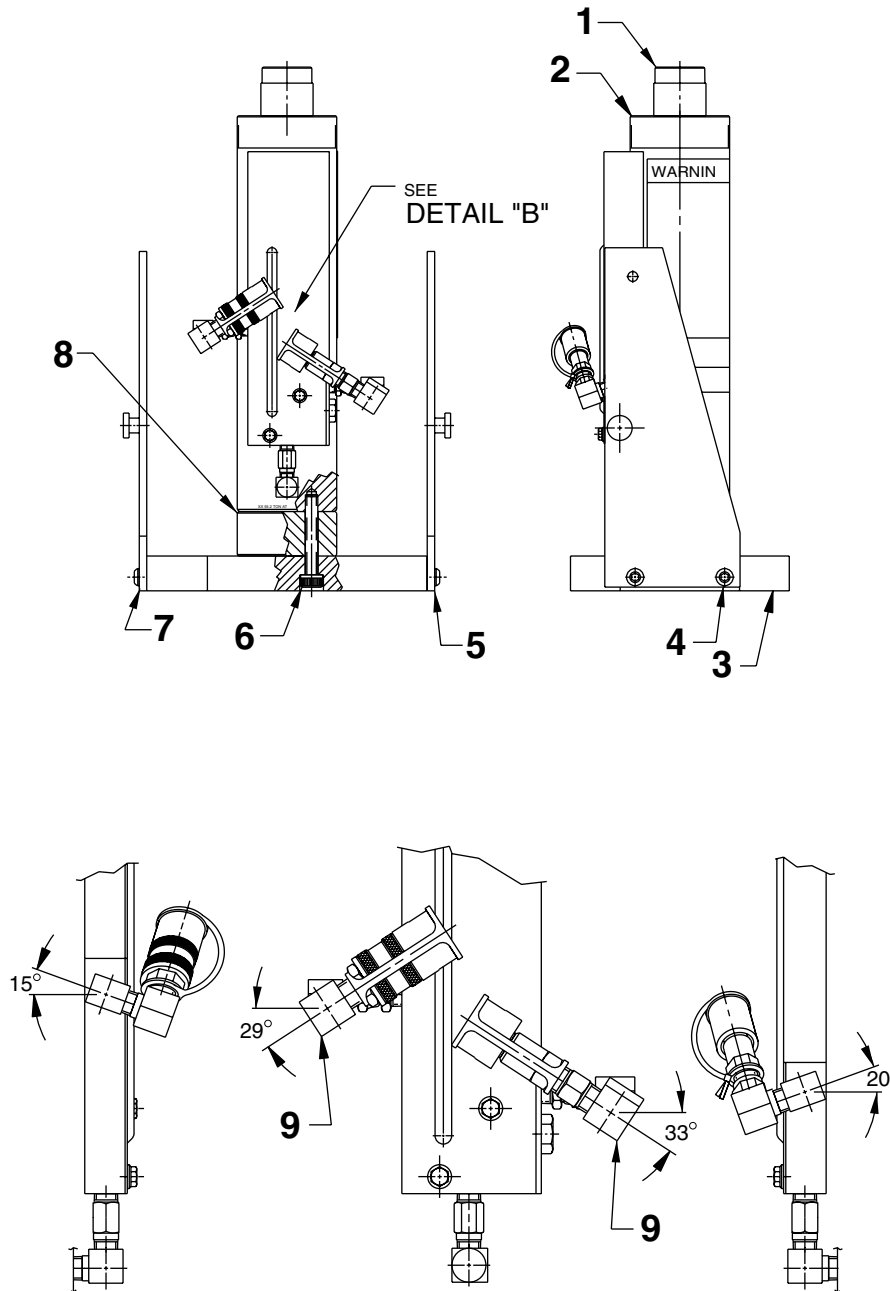


JACK MODULE MAX. CAPACITY: 55.2 TONS AT 10,000 PSI



JM25 GENERAL ASSEMBLY



DETAIL "B"

Parts List, Form No. 101729, Back sheet 1 of 5

Item No.	Part No.	No. Req'd	Description
1	351849	1	Serrated Cap
2	65297	1	Cylinder Assembly (See sheet 4 of 5)
3	58827BK2	1	Cylinder Base
4	252278	4	Screw (1/2-13 X 1-1/4 Lg.; Torque to 70 ft. lbs.)
5	58799BK2	1	Left Side Panel
6	252337	4	Screw (5/8-11 X 4" Lg.; Torque to 100/150 ft. lbs.)
7	58800BK2	1	Right Side Panel
8	421370BK2	1	Cylinder Extension
9	9681	2	Street Elbow Fitting (Note: Rotate approximately as shown in Detail B.)



Note: Shaded areas reflect last revision(s) made to this form.

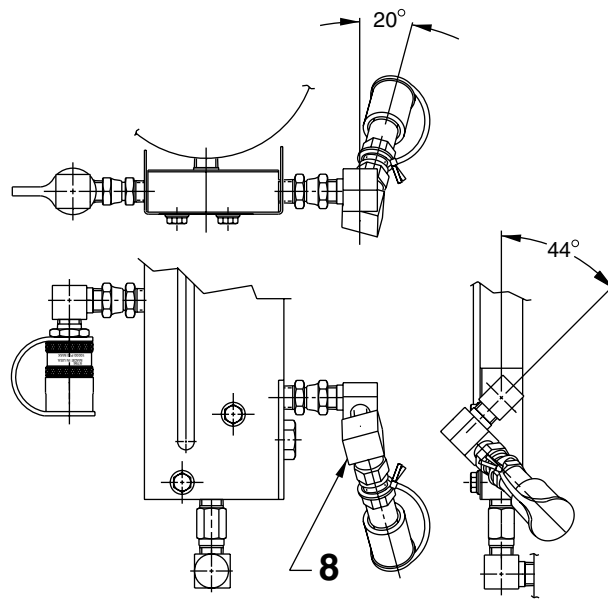
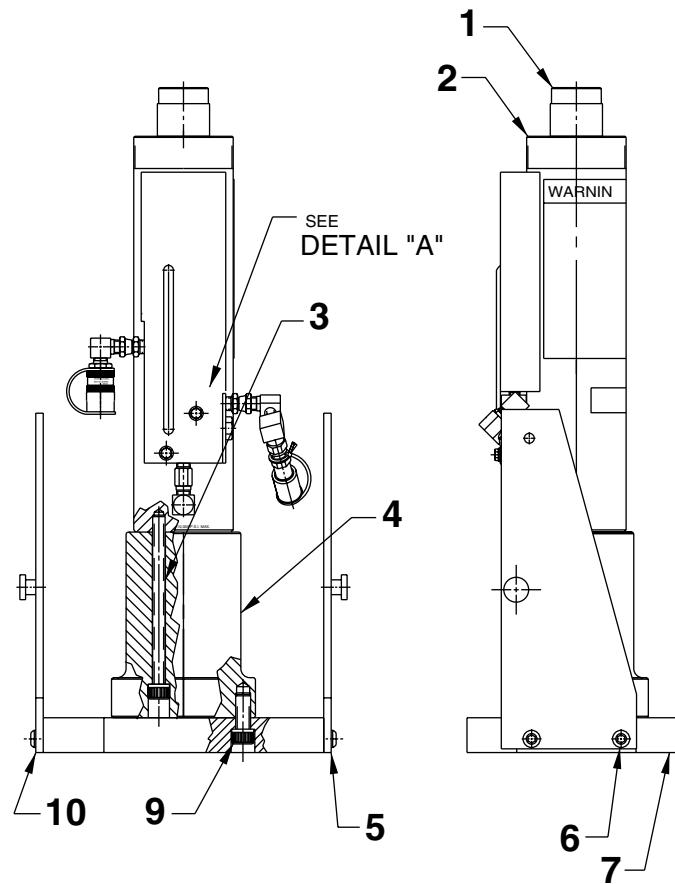
Refer to any operating instructions included with this product for detailed information about operation, testing, disassembly, reassembly, and preventive maintenance.

Items found in this parts list have been carefully tested and selected. **Therefore: Use only genuine Power Team replacement parts!**

Additional questions can be directed to our Technical Services Department.



JM35 GENERAL ASSEMBLY



DETAIL "A"

Parts List, Form No. 101729, Back sheet 2 of 5

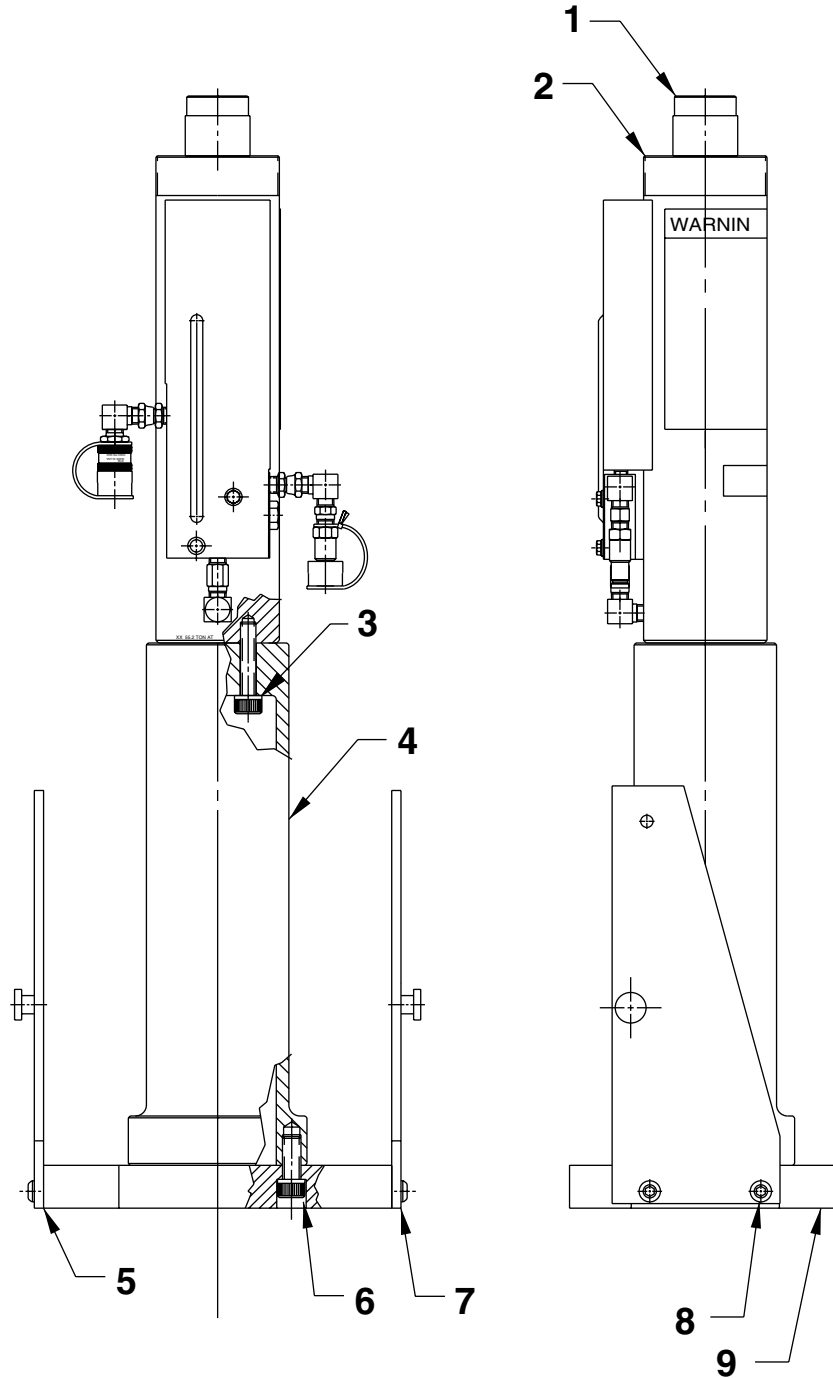
Item No.	Part No.	No. Req'd	Description
1	351849	1	Serrated Cap
2	65297	1	Cylinder Assembly (See sheet 4 of 5)
3	252339	4	Screw (5/8-11 X 3" Lg.; Torque to 100/150 ft. lbs.)
4	58829BK2	1	Cylinder Extension
5	58799BK2	1	Left Side Panel
6	252278	4	Screw (1/2-13 X 1-1/4 Lg.; Torque to 70 ft. lbs.)
7	58832BK2	1	Cylinder Base
8	9681	1	Street Elbow Fitting (Note: Rotate approximately as shown in Detail A.)
9	252280	8	Screw (3/4-10 X 1-3/4 Lg.; Torque to 100/150 ft. lbs.)
10	58800BK2	1	Right Side Panel



Note: Shaded areas reflect last revision(s) made to this form.



JM45 GENERAL ASSEMBLY



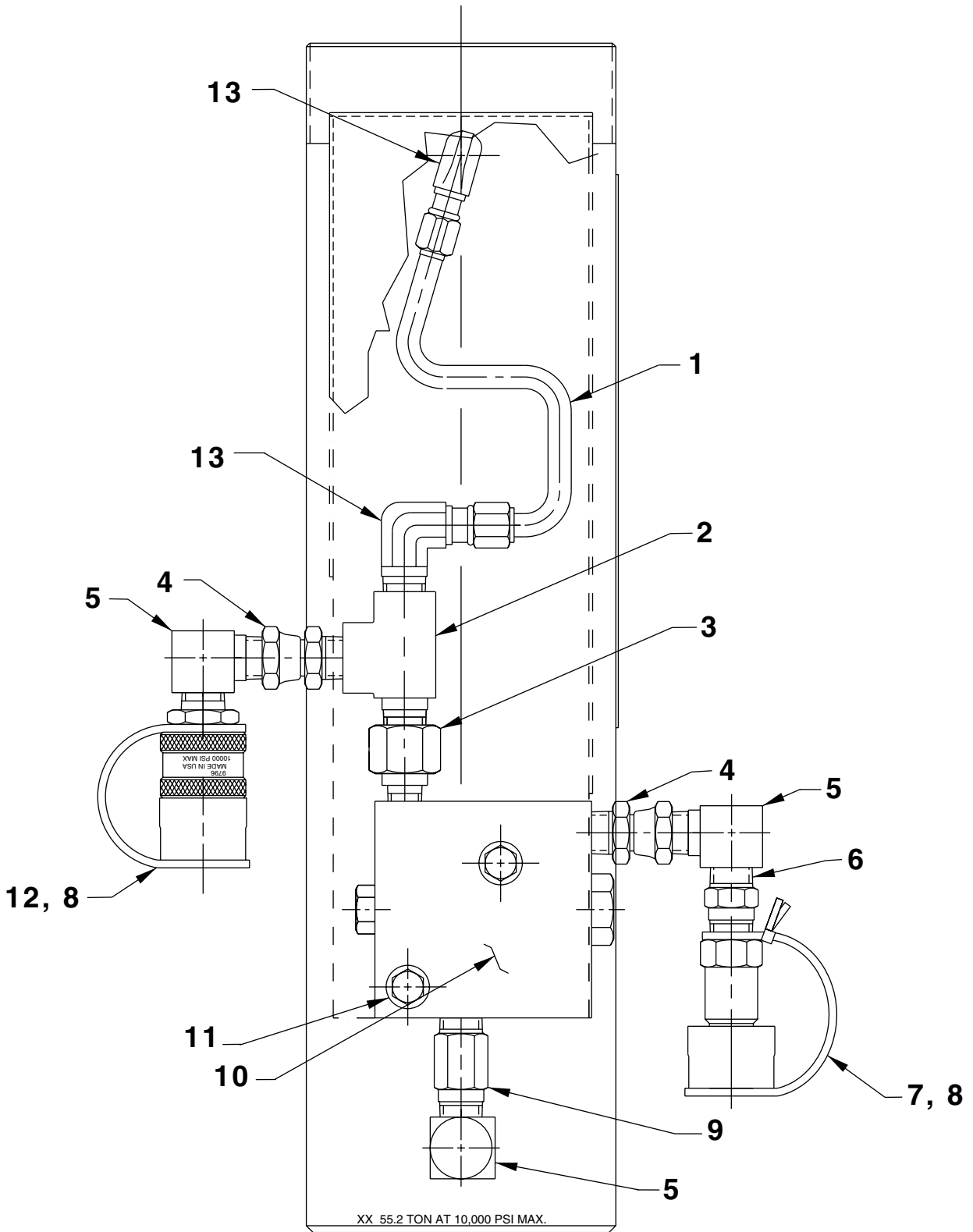
Parts List, Form No. 101729, Back sheet 3 of 5

Item No.	Part No.	No. Req'd	Description
1	351849	1	Serrated Cap
2	65297	1	Cylinder Assembly (See sheet 4 of 5)
3	252339	4	Screw (5/8-11 X 3" Lg.; Torque to 100/150 ft. lbs.)
4	65304BK2	1	Cylinder Extension
5	58800BK2	1	Right Side Panel
6	252280	8	Screw (3/4-10 X 1-3/4 Lg.; Torque to 100/150 ft. lbs.)
7	58799BK2	1	Left Side Panel
8	252278	4	Screw (1/2-13 X 1-1/4 Lg.; Torque to 70 ft. lbs.)
9	58832BK2	1	Cylinder Base

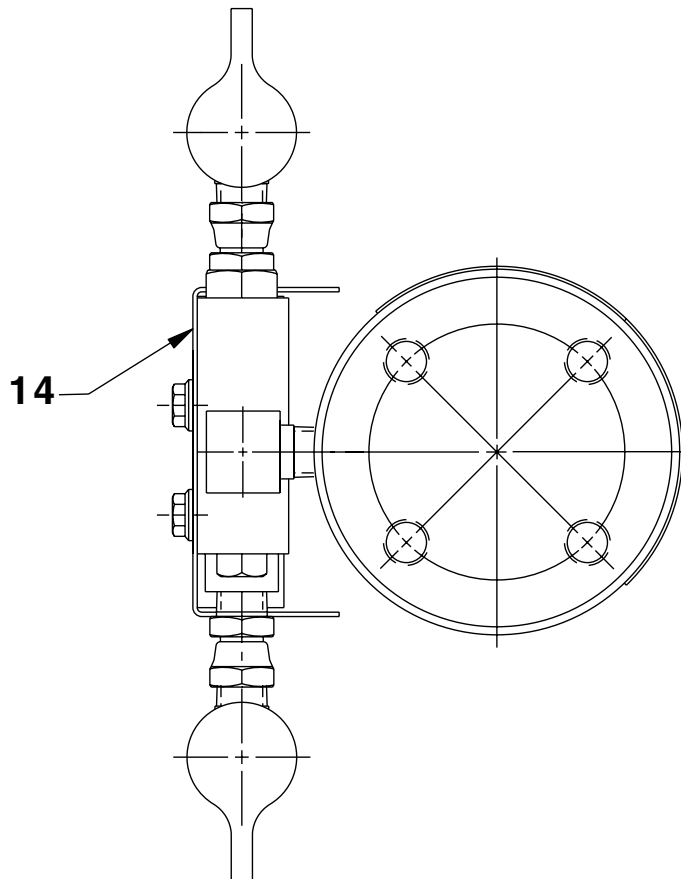




DOUBLE-ACTING CYLINDER ASSEMBLY - EXTERNAL

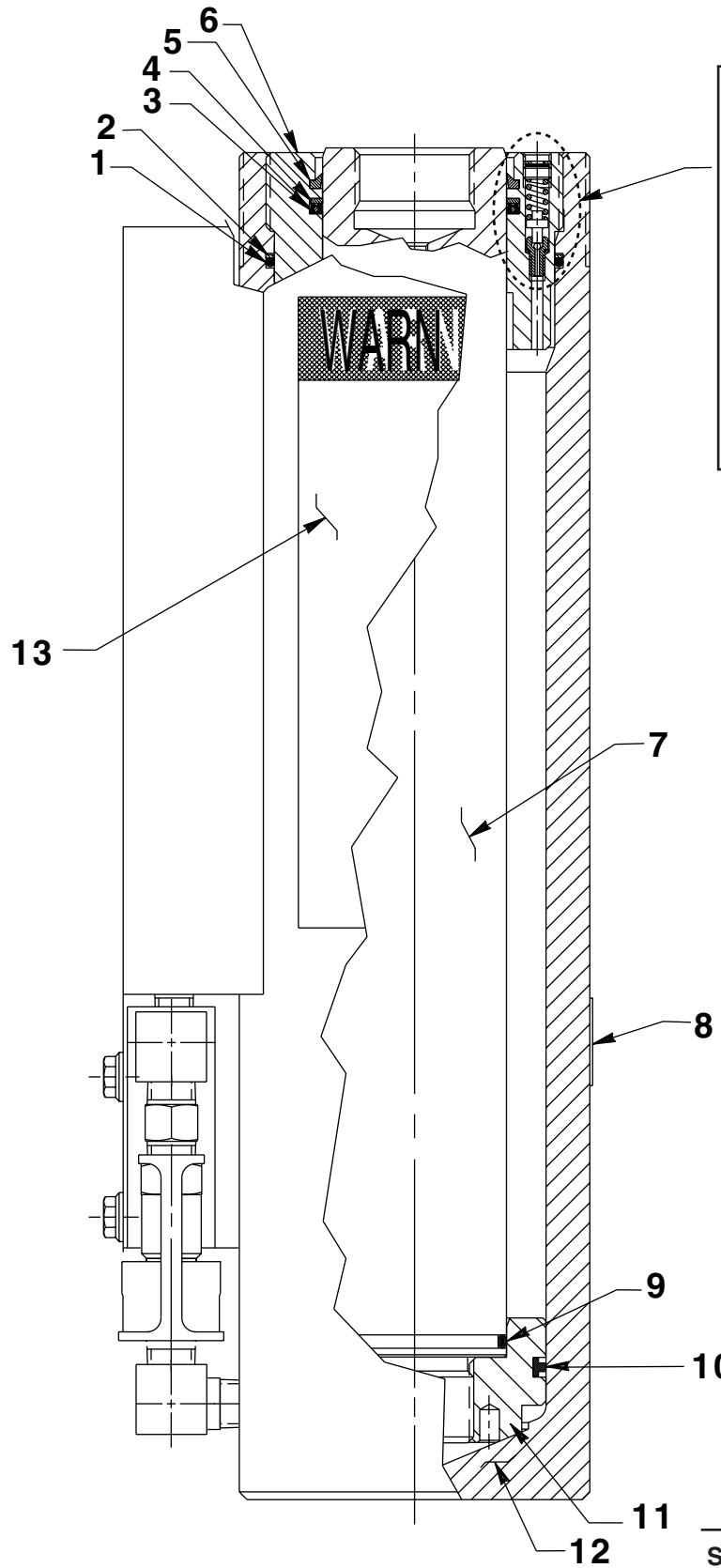


Item No.	Part No.	No. Req'd	Description
1	252322	1	Oil Tube
2	9672	1	Tee Fitting
3	9689	1	Connector Fitting
4	9675	2	Connector Fitting
5	9681	3	Street Elbow Fitting
6	9682	1	Nipple Fitting
7	9793	1	Quick Male Coupler
8	9800	2	Dust Cap
9	9683	1	Nipple Fitting
10	9720	1	Counterbalance Valve (See Form No. 101733)
11	15273	2	Screw (5/16-18 X 1/2 Lg.)
12	9792	1	Quick Female Coupler
13	10666	2	90° Elbow Fitting
14	421343OR9	1	Shroud





CYLINDER ASSEMBLY - INTERNAL



Double-acting
Cylinder
Relief Valve

See important
 DANGER
statement
on back of
sheet 5 of 5



DANGER: To help avoid possible serious personal injury or death,

- In the event that the cylinder retract port is ever restricted or plugged, a double-acting cylinder relief valve will help prevent excessive pressure from building in the cylinder. **DO NOT** attempt to adjust or service this relief valve! If oil leakage is detected from this relief valve, discontinue use of the cylinder immediately and contact Power Team Technical Services. Only Power Team Authorized Hydraulic Service Centers should service this relief valve.

Item No.	Part No.	No. Req'd	Description
1	12599	1	O-ring (4-1/4 X 4" X 1/8)
2	19331	1	Backup Washer (4-1/4 x 4" x .048)
3	19333	1	U-Cup
4	19152	1	Backup Washer (3" x 2-5/8 x .070)
5	207721	1	Rod Wiper
6	51332	1	Retainer Nut (Torque to 100 ft. lbs.)
7	51334	1	Piston Rod
8	202173	1	Trade Name Decal
9	19334	1	O-ring (2-5/8 x 2-3/8 x 1/8)
10	15381	1	T-seal
11	43305	1	Piston Head (Note: Use Loctite No. 277 when assembling piston head to piston rod [Item #7]; Torque to 200 ft. lbs.)
12	58517	1	Cylinder Body
13	351349	1	Warning Decal

