

TOE JACKS

Economy

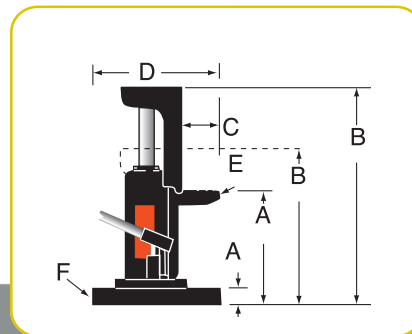
2, 5 & 10 Ton



**JUST THE POWER YOU NEED
AT A PRICE YOU CAN AFFORD.**

Meets ASME B30.1 standard

- These bottle jack-style toe jacks are loaded with many of the same features as our standard bottle jacks, but the toe-lift feature and swiveling pump handle socket make them ideal for machinery lifting and positioning.
- An internal pressure relief provides added safety by limiting the jack's lifting capability to the capacity of the toe.
- Spring return is an added feature on the larger jacks.
- Swiveling pump handle assembly available on the 5 and 10-ton models. The swiveling jack assembly allows you to access and pump the unit from numerous positions.



DIMENSIONS

Order Number	A		B		C (in.)	D (in.)	E (in.)	F (in.)
	Ret. (in.)	Ext. (in.)	Ret. (in.)	Ext. (in.)				
J24T	5/8	5 1/2	9 1/4	14	1 7/8	7 7/8	2	4 15/16
J55T	1	5 7/8	11 1/2	16 3/8	1 7/8	10 1/8	3	7 1/4
J106T	1 1/4	7 1/8	12 7/8	18 3/4	2 1/2	11 1/2	3 15/16	9 1/2

ORDERING INFORMATION*

Cap. Tons	Max Lift Stroke	Order Number	Strokes to Extend Piston 1 in.	Handle Effort at Max Load (lbs.)	Product Carry Handle	Wt. (lbs.)
2	4 3/4	J24T	14	42	Yes	18.3
5	4 7/8	J55T	22	60	Yes	53
10	5 7/8	J106T	31	73	Yes	83.8

*See current price list for shipping weights.