

MAINTENANCE SETS

Hydraulic System Components

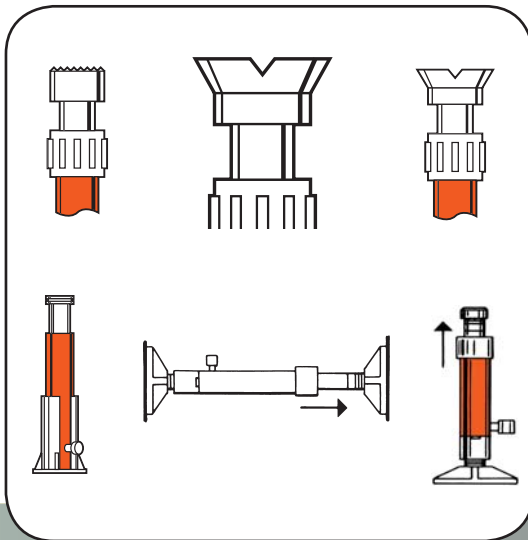
IM10E



IM10H



APPLICATION FLEXIBILITY



- Matched hydraulic system components, adapters and hydraulic spreader, contained in a rugged carrying and storage case.
- Portable sets are ideal for pushing, pulling, lifting, straightening, or clamping at remote job sites.
- Cylinders in set are rated at 10 tons at 10,000 psi. Set components are designed for full rated capacity of cylinders.
- Set IM10H/IM10L includes hand operated pump. Set IM10E includes the Quarter Horse® electrically driven portable power unit.



JACKS

ORDERING INFORMATION*

CONTENTS OF SET		IM10E	CONTENTS OF SET		IM10H	IM10L
Description	Part No.	Description	Part No.	Description	Part No.	Part No.
Hydraulic spreader	HS2000	Hydraulic spreader	HS2000	Hydraulic spreader	HS2000	HS2000
Hand pump (electric)	PE102	Hand pump	P59	Hand pump	P59L	P59L
10,000 psi hyd. gauge	9041	10,000 psi hyd. gauge	9041	10,000 psi hyd. gauge	9041	9041
Tee adapter	9670	Tee adapter	9670	Tee adapter	9670	9670
Hose & coupler assembly	9754	Hose & coupler assembly	9754	Hose & coupler assembly	9754	9754
90° V base	25395	90° V base	25395	90° V base	25395	25395
Threaded coupler	25664	Threaded coupler	25664	Threaded coupler	25664	25664
Serrated saddle	31772	Serrated saddle	31772	Serrated saddle	31772	31772
Flat base	32325	Flat base	32325	Flat base	32325	32325
Extension rod - 5" length	350897	Extension rod - 5" length	350897	Extension rod - 5" length	350897	350897
Extension rod - 10" length	38909	Extension rod - 10" length	38909	Extension rod - 10" length	38909	38909
Extension rod - 18" length	350898	Extension rod - 18" length	350898	Extension rod - 18" length	350898	350898
Cyl. support base	420062	Cyl. support base	420062	Cyl. support base	420062	420062
Cyl. ass'y, 10 ton, 10 1/8" stroke	C1010CBT	Cyl. ass'y, 10 ton, 6 1/8" stroke	C106CBT	Cyl. ass'y, 10 ton, 6 1/8" stroke	C106CBT	C106CBT
Cyl. ass'y, 10 ton, 6 1/8" stroke	C106CBT	Storage box*	350722	Storage box*	350722	350722
Storage box*	350722			Prod. Weight	Prod. Weight	Prod. Weight
				- 89 lbs.	- 81 lbs.	- 81 lbs.

Prod. Weight - 106 lbs.

* Actual product may differ from photo.