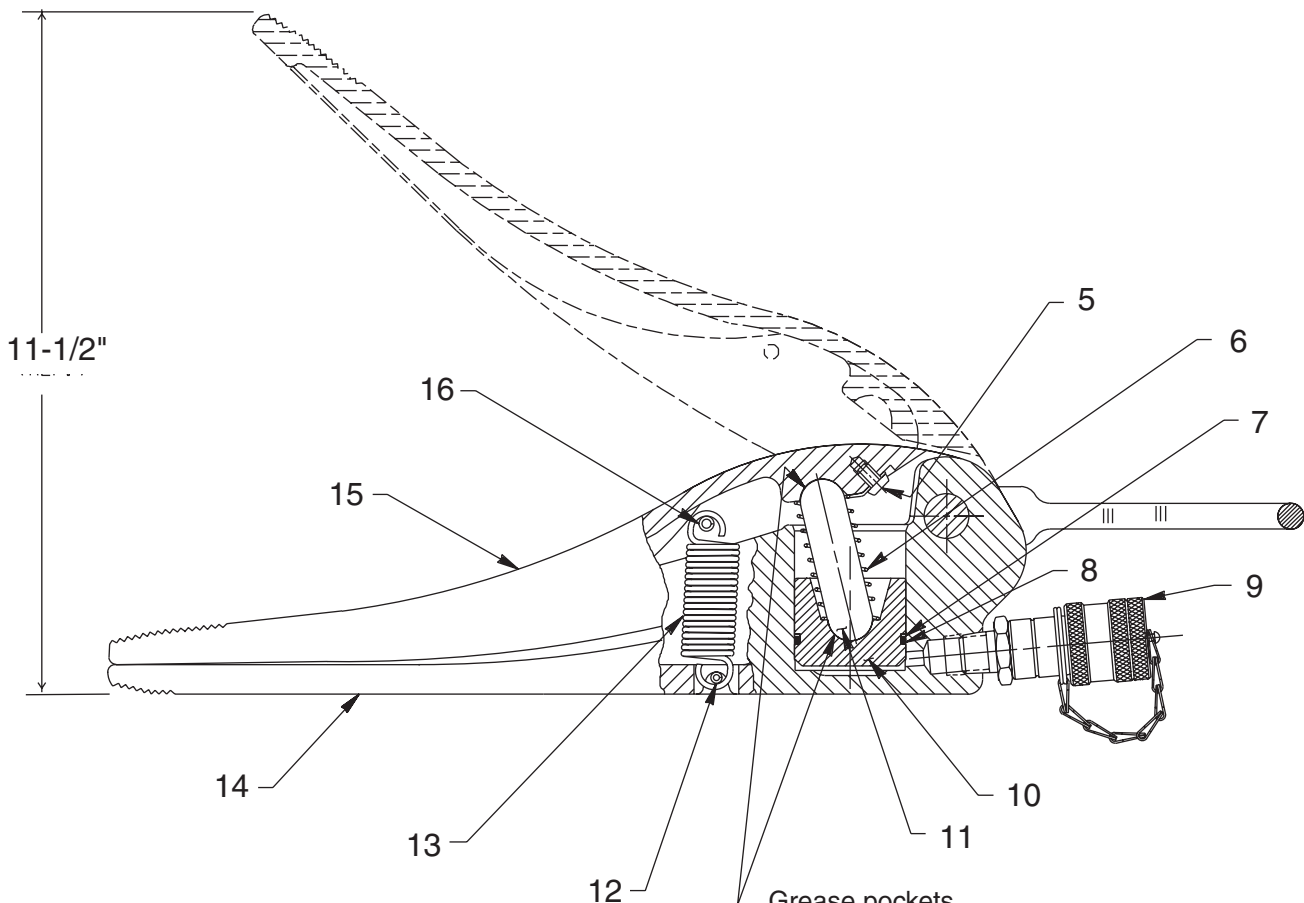
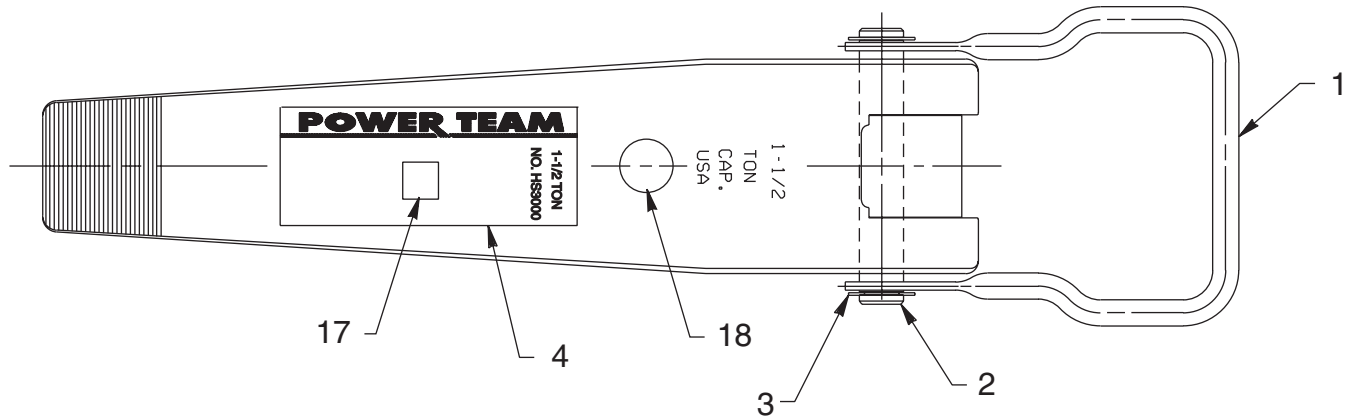


## HYDRAULIC SPREADER

Max. Spread (Opening): 11-1/2 inches

Max. Capacity: 1-1/2 Ton at 10,000 PSI



Grease pockets  
with CMD  
Extreme Pressure  
Lube #3 or equiv.

Sheet No. 1 of 1

Rev. 1 Date: 27 Nov. 2000

# Parts List, Form No. 101269, Back sheet 1 of 1

Item No.	Part No.	No. Req'd	Description
1	420459BK2	1	Handle
2	250739	1	Pin (Grease pin with CMD Extreme Pressure Lube #3 or equiv. before assembly)
3	11902	2	Retaining Ring
4	350438	1	Trade Name Decal
5	16807	1	Cap Screw (1/4-20 UNC x 3/8 Lg., self-locking)
6	350481	1	Compression Spring
7	*19135	1	Backup Washer (1-7/8 x 1-11/16 x .048, -131)
8	*11303	1	O-ring (1-7/8 x 1-11/16 x 3/32, -131)
9	25600	1	Ram Half Coupler /w Dust Cap
10	350436	1	Piston
11	250740	1	Piston Extension
12	250730	1	Roll Pin
13	350437	2	Extension Spring
14	64257	1	Lower Jaw
15	64255	1	Upper Jaw
16	14252	1	Pin
17	350988	1	CE Decal
18	253584	1	Pictorial Decal (Read Instructions)

Part numbers marked with an asterisk (\*) are contained in Repair Kit No. 300620.

Note: Shaded areas reflect last revision(s) made to this form.

Refer to any operating instructions included with this product for detailed information about operation, testing, disassembly, reassembly, and preventive maintenance.

Items found in this parts list have been carefully tested and selected. **Therefore: Use only genuine Power Team replacement parts!**

Additional questions can be directed to our Technical Services Department.