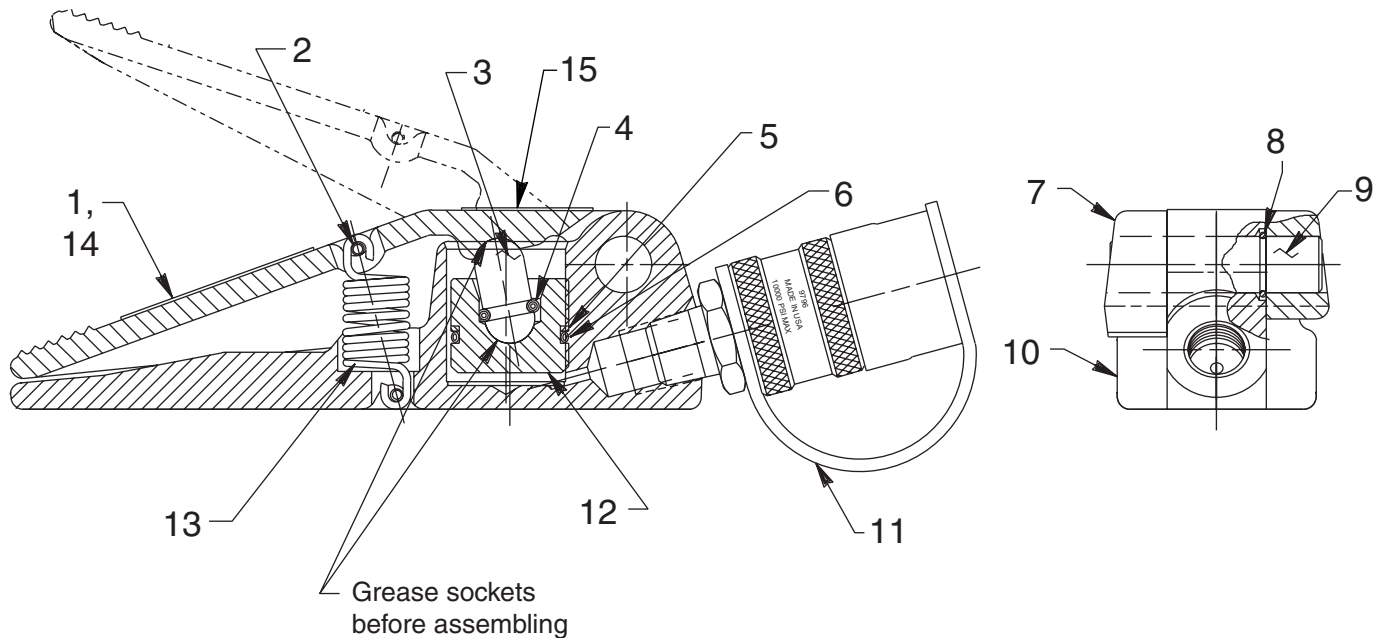


HYDRAULIC SPREADER

Max. Spread (Opening): 4 inches

Max. Capacity: 1 Ton at 10,000 PSI



Item No.	Part No.	No. Req'd	Description
1	215955	1	Trade Name Decal
2	10895	2	Slotted Spring Pin (1/8 dia. x 3/4 Lg.)
3	215953	1	Piston Extension
4	*10270	1	O-ring (5/8 x 7/16 x 3/32)
5	*16817	1	Backup Washer (1-3/16 x 1" x .048)
6	*16684	1	O-ring (1-3/16 x 1" x 3/32)
7	53446	1	Upper Jaw
8	215956	1	Retaining Ring
9	215954	1	Pivot Pin (Note: Grease lightly before assembly.)
10	53447	1	Lower Jaw
11	9796	1	Ram Half Coupler
12	309377	1	Piston
13	309378	1	Extension Spring
14	350988	1	CE Decal
15	253584	1	Pictorial Decal (Read instructions)

Part numbers marked with an asterisk (*) are contained in Repair Kit No. 300514.

Note: Shaded areas reflect last revision(s) made to this form.

Sheet No. 1 of 1

Rev. 1 Date: 17 Nov. 2000