

SPX Corporation  
5885 11th Street  
Rockford, IL 61109-3699 USA

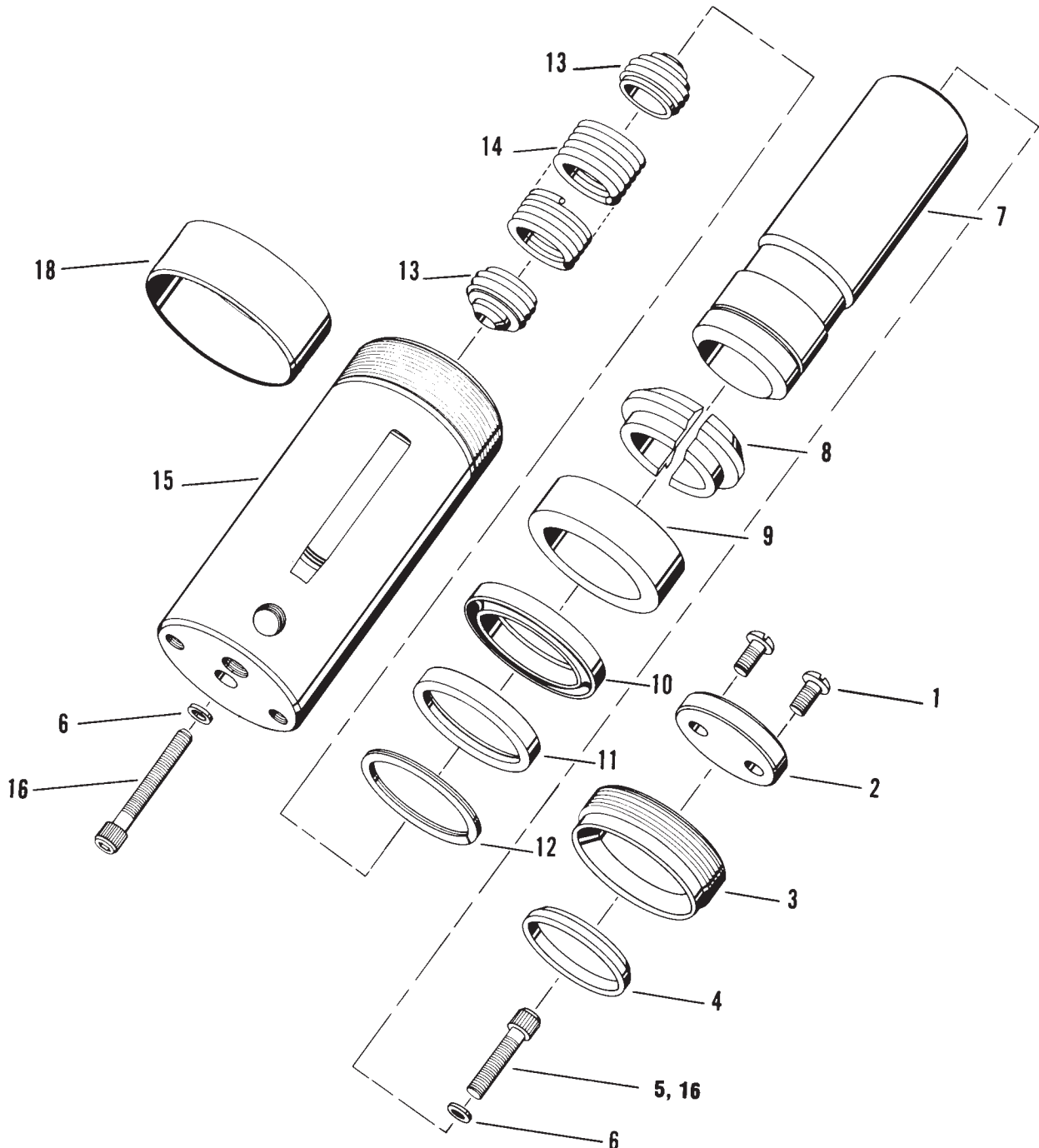
Internet Address:  
<http://www.powerteam.com>  
Tech. Services: (800) 477-8326  
Fax: (800) 765-8326  
Order Entry: (800) 541-1418  
Fax: (800) 288-7031

SPX Corporation  
655 Eisenhower Drive  
Owatonna, MN 55060-0995 USA  
Phone: (507) 455-7000  
Tech. Services: (800) 533-6127  
Fax: (800) 955-8329  
Order Entry: (507) 455-1480  
Fax: (800) 283-8665  
International Sales: (507) 455-7223  
Fax: (507) 455-7746

Parts List for:

2R552S	C552C	C5510C
2R556S	C552C-PFAFF	C5513C
2R5513S	C554C	C5513C-POSI
52380	C554C-PFAFF	C5518C-TEX
52457	C556C	

**SINGLE-ACTING, SPRING RETURN  
HYDRAULIC CYLINDER**  
Max. Capacity: 55.2 Tons at 10,000 PSI



# Parts List, Form No. 100386, Back sheet 1 of 2

Item No.	Part No.	No. Req'd	Description
1	16112	2	Machine Screw (Torque to 50/60 in. lbs.)
2	36161	1	Front Plate
3	36138	1	Retainer Nut (Torque to 125/150 ft. lbs.)
4	*16117	1	Rod Wiper
	†205718	1	Rod Wiper
5	10984	1	Soc. Hd. Cap Screw (3/8-16 x 1-1/2 Lg.; Torque to 400/425 in. lbs. - For C556C, C552C, 52457, 2R552S, 2R556S, C554C & C554C-PFAFF)
6	*†12042	2	Copper Washer
7	50837	1	Piston Rod (For C556C, 2R556S, & 52457)
	50836	1	Piston Rod (For C5513C, C5513C-POSI, 52380, & 2R5513S)
	51247	1	Piston Rod (For C552C, C552C-PFAFF & 2R552S)
	58062	1	Piston Rod (For C554C & C554C-PFAFF)
	58054	1	Piston Rod (For C5510C)
	58242	1	Piston Rod (For C5518C-TEX)
8	36001	1 pr.	Keeper Ring
9	201481	1	Piston Head
10	*15916	1	U-cup Piston Seal
	†205706	1	U-cup
11	201480	1	Slip Retainer
12	*16118	1	Retaining Ring
13	36170	2	Spring Retainer (See diagram on pg. 2 of 2)
14	201483	1	Extension Spring (For C556C, 2R556S, & 52457)
	201484	1	Extension Spring (For C5513C, C5513C-POSI, 52380, & 2R5513S)
	204429	1	Extension Spring (For C552C, C552C-PFAFF & 2R552S)
	250292	1	Extension Spring (For C554C & C554C-PFAFF)
	250263	1	Extension Spring (For C5510C)
	250915	1	Extension Spring (For C5518C-TEX)
15	50838	1	Cylinder Body (For C556C, 2R556S, & 52457)
	50839	1	Cylinder Body (For C5513C, 52380, & 2R5513S)
	51248	1	Cylinder Body (For C552C, C552C-PFAFF & 2R552S)
	58028	1	Cylinder Body (For C5513C-POSI)
	64095	1	Cylinder Body (For C554C & C554C-PFAFF)
	64075	1	Cylinder Body (For C5510C)
	64265	1	Cylinder Body (For C5518C-TEX)
16	16110	1	Soc. Hd. Cap Screw (3/8-16 x 3-1/2 Lg.; Torque to 400/425 in. lbs. - For C556C, 2R556S, 52457, C554C & C554C-PFAFF)
		2	Soc. Hd. Cap Screw (3/8-16 x 3-1/2 Lg.; Torque to 400/425 in. lbs. - For C5513C, C5513C-POSI, 52380, 2R5513S, & C5518C-TEX)
	11531	1	Soc. Hd. Cap Screw (3/8-16 x 2" Lg.; Torque to 400/425 in. lbs. - For C552C, C552C-PFAFF & 2R552S)
18	42193	1	Thread Protector

## PARTS INCLUDED BUT NOT SHOWN

*37782	1	Warning Decal
203908	1	Warning Decal (For C552C & C554C)
203908-CE	1	Warning Decal (For C552C-PFAFF & C554C-PFAFF)
16170	1	Trade Name Decal (For C556C)
16171	1	Trade Name Decal (For C5513C & C5513C-POSI)
18880	1	Trade Name Decal (For C552C)
210479	1	Trade Name Decal (For 2R552S)
210480	1	Trade Name Decal (For 2R556S)

**CONTINUED ON  
NEXT PAGE**

Part numbers marked with an asterisk (\*) are contained in Standard Repair Kit No. 300114.

Part numbers marked with a dagger (†) are contained in Viton Seal Kit No. 300215.

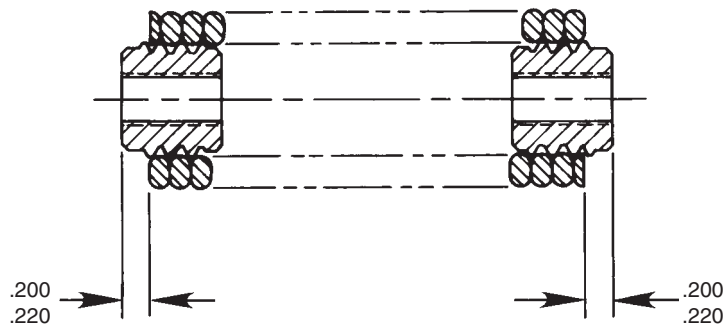
Item No.	Part No.	No. Req'd	Description
	210849	1	Trade Name Decal (For 2R5513S)
	250293	1	Trade Name Decal (For C554C)
	250264	1	Trade Name Decal (For C5510C)
	202173	1	Trade Name Decal (For C5518C-TEX)
	252184	1	Trade Name Decal (For C552C-PFAFF & C554C-PFAFF)
	9796	1	Ram Half Coupler (For C552C, C556C, C5513C, C5513C-POSI, C552C-PFAFF & C5518C-TEX)
	210916	1	Ram Half Coupler (For 2R552S, 2R556S, & 2R5513S)
	10469	1	Union Straight Fitting (For 52380 & 52457)
	†206557	1	U-cup Backup Washer
	†19526	1	O-ring (1" x 3/4 x 1/8; For coupler)
	†205724	1	Decal (Viton)

Part numbers marked with an asterisk (\*) are contained in Standard Repair Kit No. 300114.

Part numbers marked with a dagger (†) are contained in Viton Seal Kit No. 300215.

## SPRING & RETAINER ASSEMBLY

The spring must not extend beyond the threads of the spring retainer on either end. Stretch, clean and lubricate the spring before assembly.



Refer to any operating instructions included with the product for detailed information about operation, testing, disassembly, reassembly and preventive maintenance.

Items found in this parts list have been carefully tested and selected. **Therefore: Use only genuine replacement parts!**

Additional questions can be directed to our Technical Services Department.