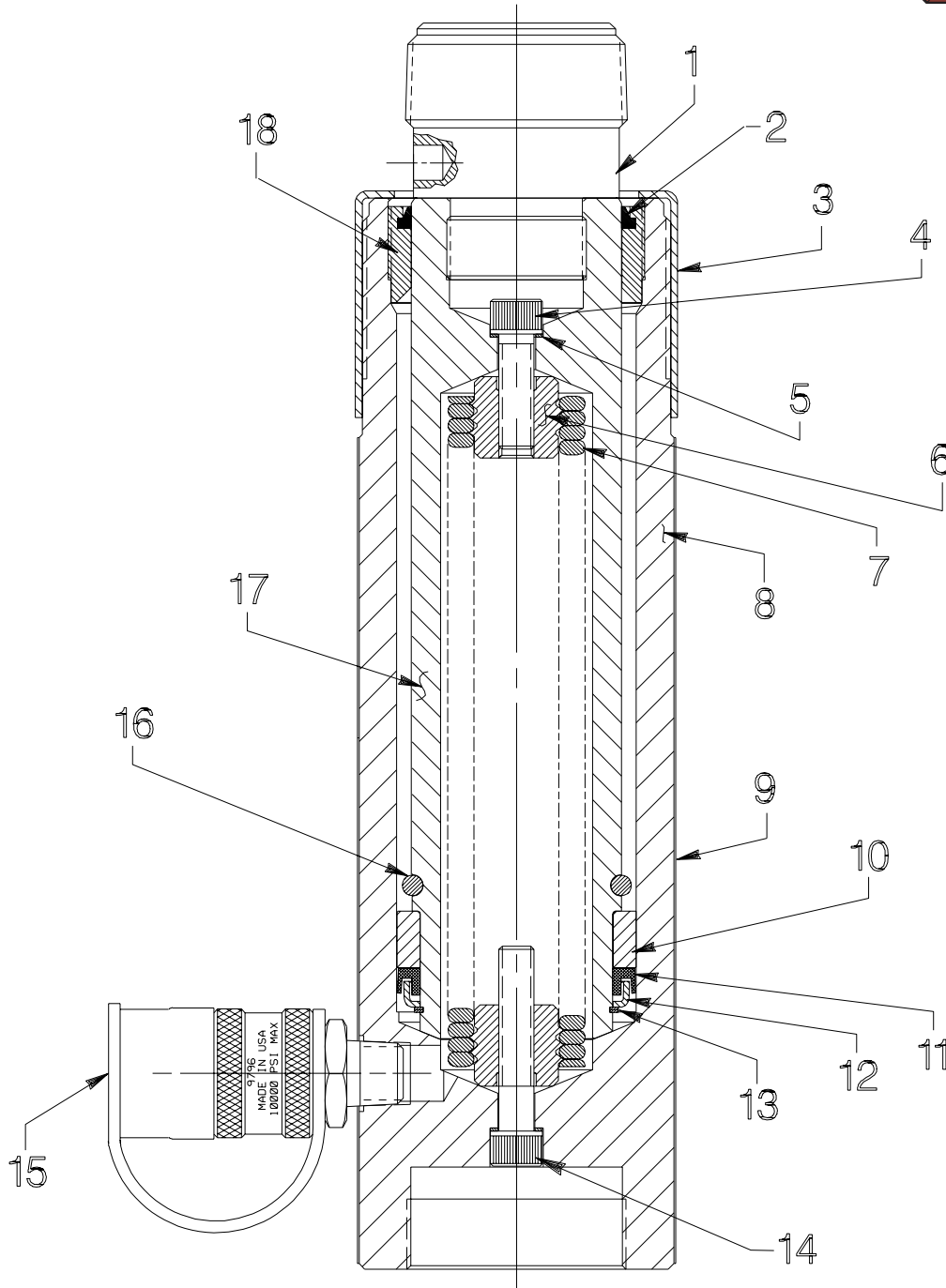


Parts List for:

C256CBT
C2514CBT
C2514CBT-AW
C2514CBT-PFAFF

Model B SINGLE-ACTING, SPRING RETURN HYDRAULIC CYLINDER

Max. Capacity: 25.8 Tons At 10,000 PSI



Item No.	Part No.	No. Req'd	Description
1	202180	1	Thread Adapter (For all except C2514CBT-AW)
2	*16085	1	Rod Wiper
	†205716	1	Rod Wiper
3	36147	1	Thread Protector
4	10053	1	Soc. Hd. Cap Screw (3/8-16 x 1-1/4 Lg.; Torque to 400/425 in. lbs.)
5	*†12042	2	Copper Washer
6	201417	2	Spring Retainer (See diagram below)
7	201448	1	Extension Spring (For C256CBT)
	201450	1	Extension Spring (For C2514CBT & C2514CBT-AW)
8	51076	1	Cylinder Body (For C256CBT)
	51078	1	Cylinder Body (For C2514CBT & C2514CBT-AW)
9	421388	1	Full Coverage Decal (For C256CBT)
	421389	1	Full Coverage Decal (For C2514CBT & C2514CBT-AW)
	252184	1	Trade Name Decal (For C2514CBT-PFAFF)
10	201352	1	Piston Head (Assemble with groove toward shoulder.)
11	*15915	1	U-cup Piston Seal
	†205705	1	U-cup Piston Seal
12	201353	1	Slip Retainer
	†206556	1	U-cup Backup Washer
13	*16084	1	Retaining Ring
14	11531	1	Soc. Hd. Cap Screw (3/8-16 x 2" Lg.; Torque to 400/425 in. lbs.)
15	9796	1	Ram Half Coupler w/ Dust Cap
16	201447	1	Retaining Ring
17	421029	1	Piston Rod (For C256CBT)
	421033	1	Piston Rod (For C2514CBT & C2514CBT-AW)
18	351056	1	Retainer Nut (Torque to 90/100 ft. lbs.)

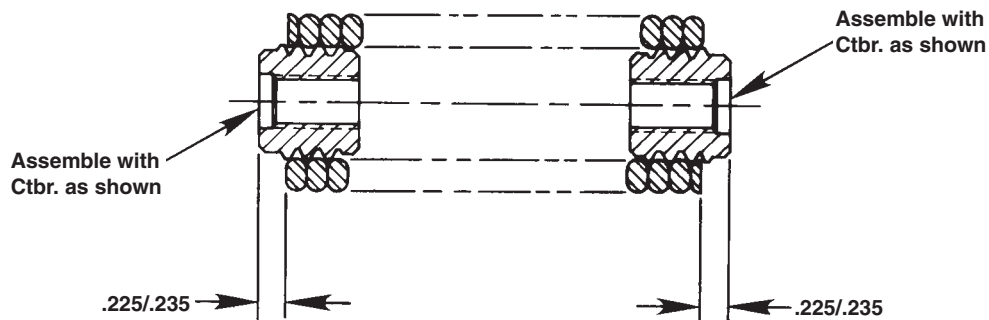
PARTS INCLUDED BUT NOT SHOWN

*37782	1	Warning Decal (For C256CBT & C2514CBT)
37782-CE	1	Warning Decal (For C2514CBT-PFAFF)
†19526	1	O-ring (1" x 3/4 x 1/8; For coupler)
†205724	1	Decal (Viton seals)



Part numbers marked with an asterisk (*) are contained in Standard Repair Kit No. 300147.
 Part numbers marked with a dagger (†) are contained in Viton Seal Kit No. 300213.

SPRING & RETAINER ASSEMBLY



Note: Shaded areas reflect last revision(s) made to this form.

Refer to any operating instructions included with this product for detailed information about operation, testing, disassembly, reassembly, and preventive maintenance.

Items found in this parts list have been carefully tested and selected. **Therefore: Use only genuine Power Team replacement parts!**

Additional questions can be directed to our Technical Services Department.