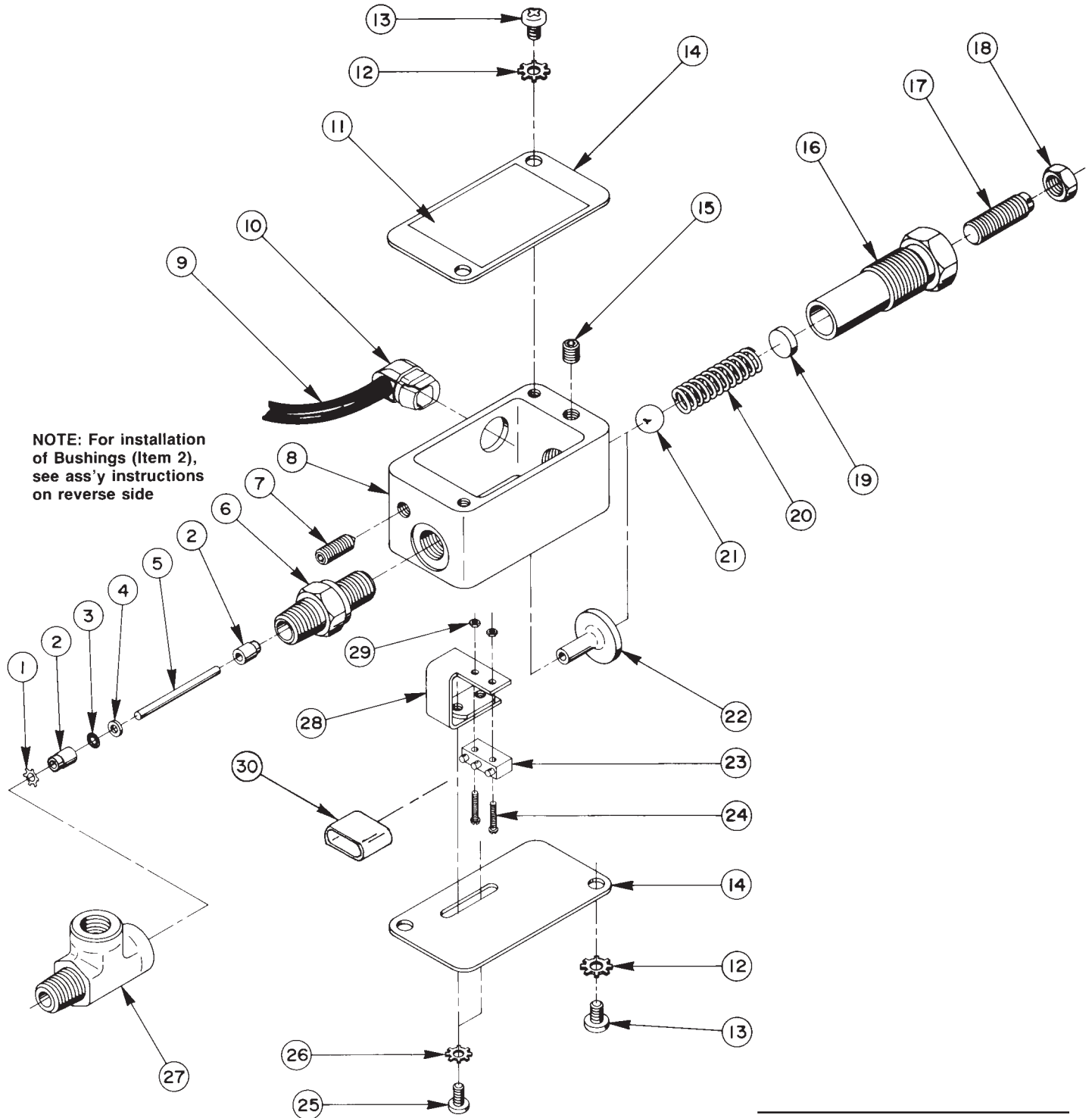


Parts List for:

9625

PRESSURE SWITCH ASSEMBLY



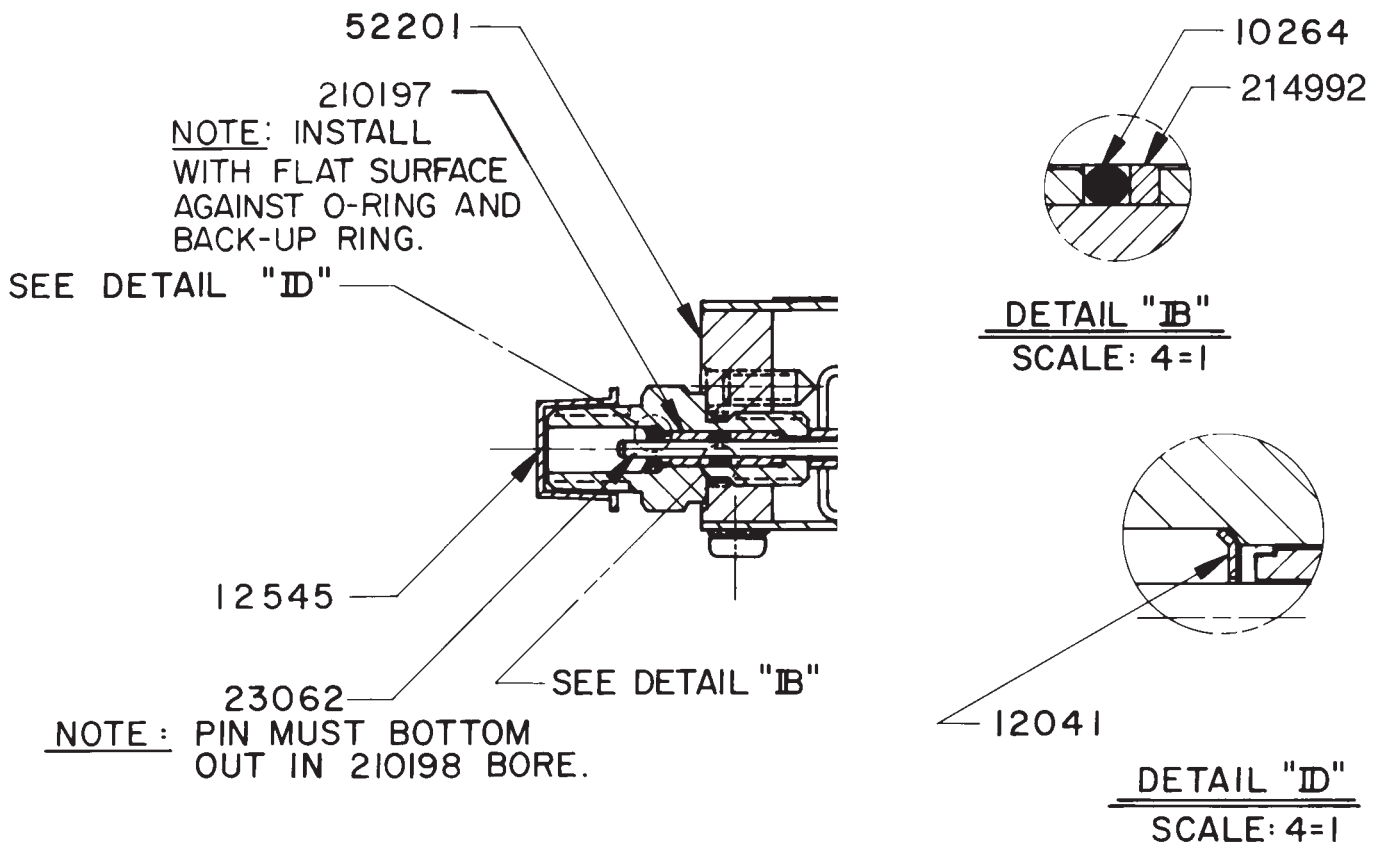
NOTE: For installation of Bushings (Item 2), see ass'y instructions on reverse side

Max. Capacity: 10,000 PSI, 5 AMP, 250 VAC

Parts List, Form No. 100589, Back sheet 1 of 1

Item No.	Part No.	No. Req'd	Description	Item No.	Part No.	No. Req'd	Description
1	12041	1	Retaining Ring	16	304951	1	Spring Retainer
2	210197	2	Bushing (See note below)	17	22362	1	Adjusting Screw
3	10264	1	O-ring (1/4 X 1/8 X 1/16, -006)	18	10386	1	Jam Nut (3/8-24)
4	214992	1	Backup Washer	19	210201	1	Spring Disc
5	23062	1	Dowel Pin (Note: Pin must bottom out in Part No. 210198, Item 22)	20	10495	1	Compression Spring
6	304949	1	Cartridge (Torque to 80/120 in. lbs.)	21	16920	1	Ball
7	210270	1	Set Screw (1/4-20 X 3/4 Lg.)	22	210198	1	Platen
8	52201	1	Switch Body	23	10489	1	Limit Switch
9	11423	2.50 ft.	Elect. Cord (18/2 SJTO)	24	10157	2	Machine Screw (#2-56 X 1/2 Lg.)
10	12176	1	Strain Relief Bushing	25	10975	2	Machine Screw (#8-32 X 5/16 Lg.)
11	304960	1	Decal	26	11388	2	Lockwasher
12	11108	4	Lockwasher	27	10618	1	Fitting
13	16613	4	Machine Screw (#10-24 X 5/16 Lg.)	28	45637	1	Switch Bracket
14	304953	2	Cover Plate	29	10193	2	Nut (#2-56)
15	16028	1	Set Screw (1/4-20 X 5/16 Lg.)	30	19441	.1 ft.	Heat Shrink Tubing

BUSHING{ITEM 2} ASSEMBLY INSTRUCTIONS Part No. 210197



Refer to any operating instructions included with this product for detailed information about operation, testing, disassembly, reassembly, and preventive maintenance.

Items found in this parts list have been carefully tested and selected. **Therefore: Use only genuine replacement parts!**

Additional questions can be directed to our Technical Services Department.