

CUSTOMER SERVICE CENTERS

North America

5885 11th Street
Rockford, IL 61109
USA

Customer Service/Order Entry
Tel: +1 800 541 1418
Fax: +1 800 288 7031

Technical Services
Tel: +1 800 477 8326
Fax: +1 800 765 8326
info@powerteam.com

European Headquarters

Albert Thijsstraat 12
6471 WX Egelshoven
The Netherlands

Tel: +31 45 567 8877
Fax: +31 45 567 8878
infoeurope@powerteam.com

Asia Pacific Headquarters

20 Pioneer Crescent #06-01,
West Park BizCentral
Singapore 628555

Tel: +65 6264 4366
Fax: +65 6265 9133
infoasia@powerteam.com

Shanghai, China

7F Treasury Building
1568 Huashan Road
Shanghai, 200052 China

Tel: +86 21 2208 5888
Fax: +86 21 2208 5682
infochina@powerteam.com

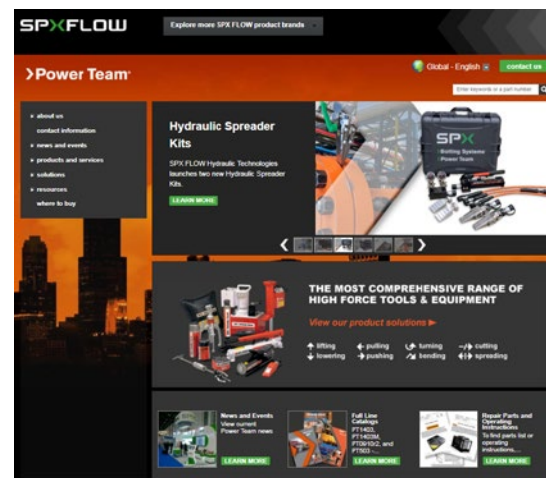
ENGINEERING, MANUFACTURING AND SUPPORT CENTER

World Headquarters

5885 11th Street
Rockford, IL 61109, USA
Tel: +1 815 874 5556
Fax: +1 800 288 7031

info@powerteam.com

Visit us at powerteam.com to learn more



CORDLESS HYDRAULIC PUMP

Distributed by:



SPXFLOW



Powered By **18** VDC
Lithium-Ion

COMPACT, LI-ION BATTERY-POWERED,
HIGH PRESSURE HYDRAULIC PUMP

SPXFLOW

Compact. Portable. Cordless.

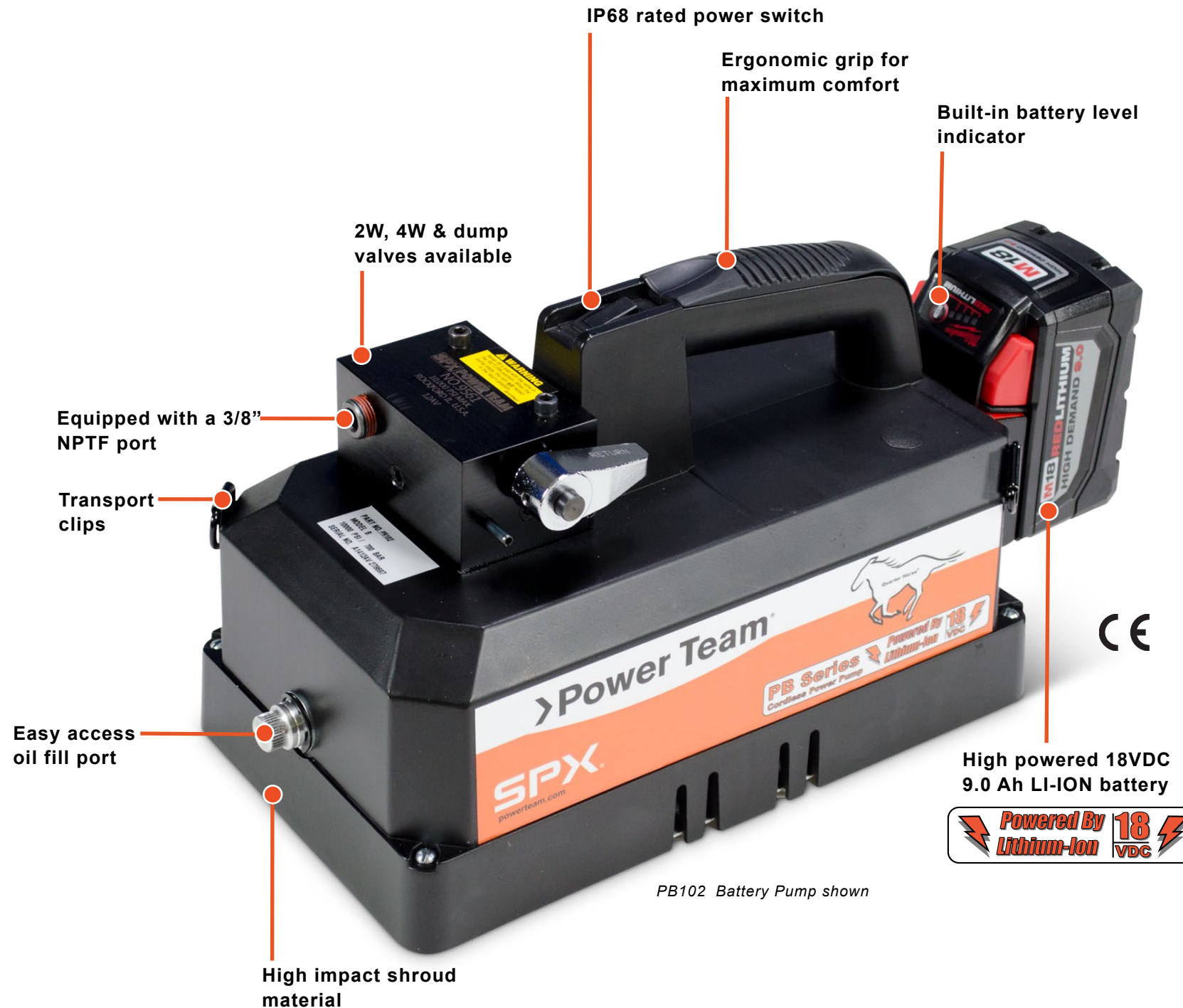
The new Power Team **PB Series Cordless Hydraulic Pump** meets the mark with increased portability, longer run-time, more valve selections and remote “plug and play” control options. The PB Series pumps meet a wide array of high-pressure tool applications where **portability and freedom** of cordless power is needed.

Whether it is a spreading, nut splitting, lifting, bending, cutting or crimping application, the Power Team PB Series Hydraulic Pumps delivers the power needed to improve productivity while keeping safety in mind.

Value Delivered:

- 10,000 PSI (690 Bar), .45 gallons (1,1 liters) oil capacity provides ample power to effectively **cover a wide array of applications** and uses for most trades.
- Cordless, **high powered 18VDC** Lithium-ion 9.0Ah battery pack offers **exceptional run-time**.
- **Lightweight**, only ~24 pounds (10,9 Kg), making those tight constraint, remote applications **stress-free**.

Pump Technology At A Glance



▶ Robust Shoulder Transport Strap Included



▶ “Control Ready” Port Connection Included



▶ Optional Hand or Foot Controls



Powered By 18 VDC
Lithium-Ion

Performance you can rely on...

Our new Power Team PB Series Cordless Hydraulic Pump provides ample power for:

90+ pulls using a PTPHB-206 Puller

75+ spreads using a HS2000 Spreader

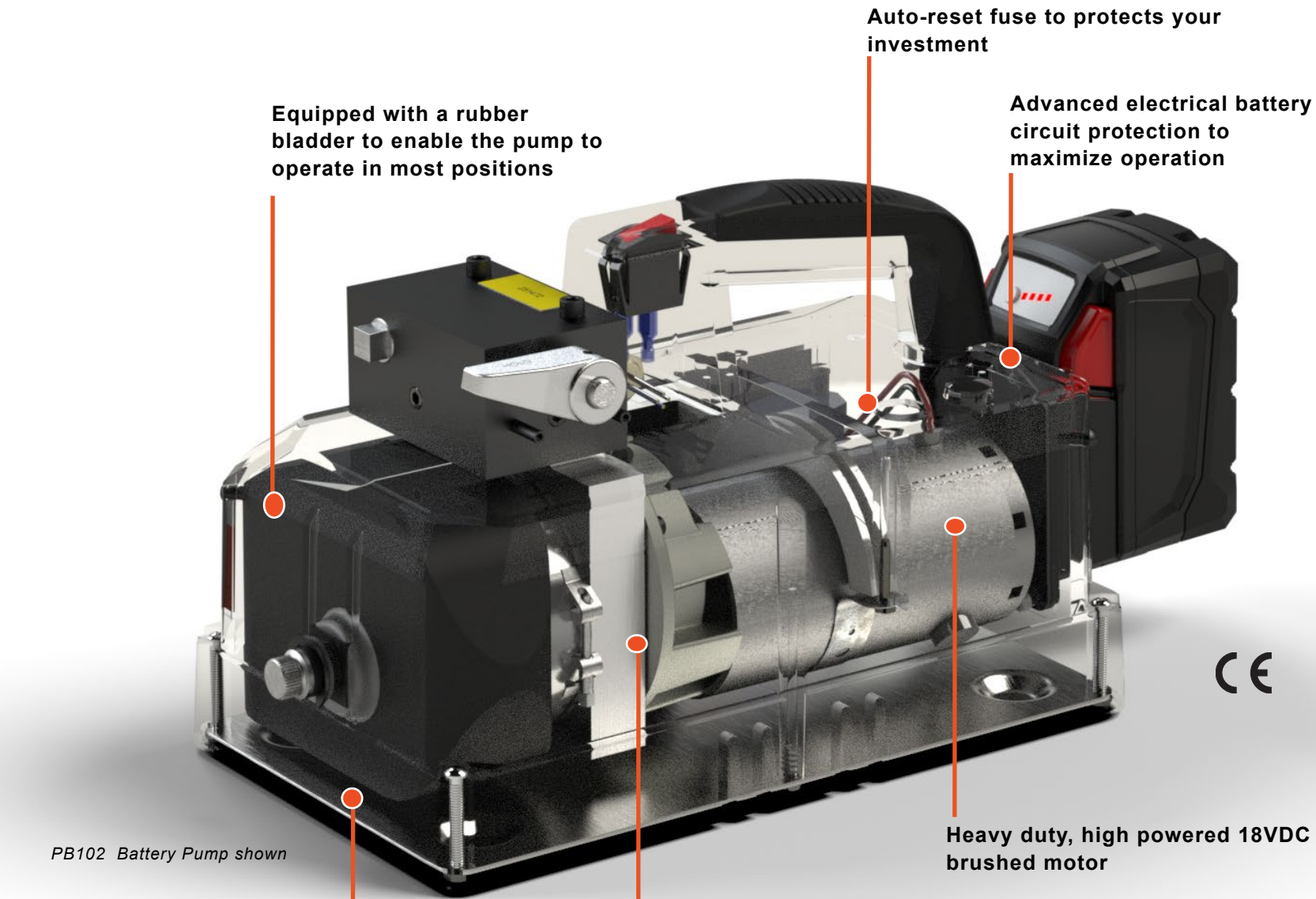
50+ crimps using a HP35 Punch

40+ splits using a HNS150 Nut Splitter

20+ lifts using a C104C Cylinder

Note: Each function achieved was based on one fully charged 9.0Ah battery pack @ maximum operating pressure, contact factory for specific details and materials used.

Pump Technology At A Glance



PB102 Battery Pump shown

Steel baseplate provides a firm footing on uneven surfaces

Two stage pump features a rapid tool advancement in 1st stage, increasing your productivity



PB102A Auto-Dump Valve



PB102 2-Way Dump Valve



PB102R 2-Way Dump Valve Pressure Regulator



PB104 Four Way Valve

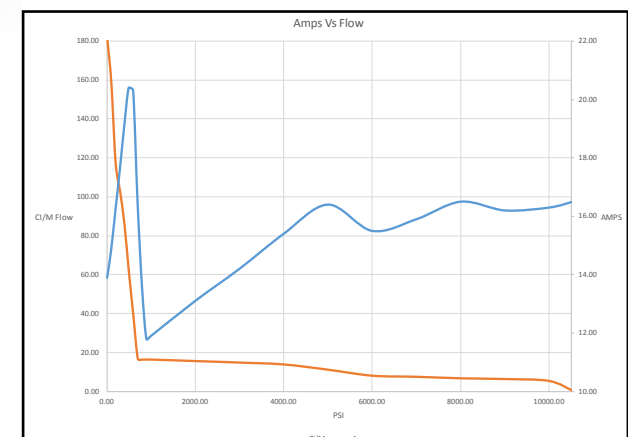
On-board Battery Indicator LED



18 VDC LI-ION Battery Charger



Flow / Amp Performance Curve



1st Stage: 200 cu. in. / min (3,277 cu. cm / min.)
2nd Stage: 6 cu. in. / min (98 cu. cm. / min)

Order No.:
PB102-1, PB102P-1



Features

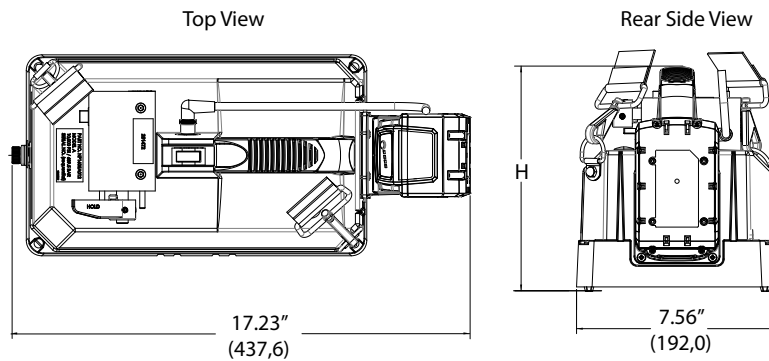
**COMPACT, PORTABLE, CORDLESS
HYDRAULIC PUMP FOR MRO APPLICATIONS**

- Compact, Li-ion 18VDC, 9.0 Ah battery-powered pump provides extended run-time, CE compliant.
- Two stage, compact high-pressure hydraulic pump offers quick tool advancement in the first stage
- Extremely compact, lightweight with an ergonomic handle grip and transport strap to ease portability
- Self-contained, rubber bladder reservoir allows pump usage in most positions with an impressive capacity of 70 cu. in. (1,1 liter) usable
- Quiet – smooth running, serviceable brushed 18VDC motor
- High impact, fiberglass reinforced shroud protects your investment in the most demanding and harsh applications
- Large valve section to accommodate a vast array of applications

Ordering Information

Order Number	Description	Refer to Note	Tool Type	Valve Type	Valve Function	Remote Control	Flow @ Stages		Usable Oil Capacity	Battery Included	Charger (w/plug style)	Dimension			Weight	Order Number
							cu.in. (cu.cm.)	cu.in. (cu.cm.)				in.(mm) L x W x H				
PB102-1	18VDC, 1/4 HP Power Pump, S/A, 2-Way w/ Auto Dump	(1)	Single Acting	2-Way/ Auto. Dump (9561)	Advance / Return (Auto)	Optional	1st Stage: 200 (3,277) @ 200 psi (14 bar)	70	70	(1) One 18VDC L-ion 9.0 Ah included	(1) One 115V M18 Charger Included	12.81	7.56	8.45 (215)	24 (10,88)	PB102-1
PB102P-1	18VDC Power Pump, S/A, 2-Way w/Auto Dump	(1)	Single Acting	2-Way/ Auto. Dump (9561)	Advance / Return (Auto)	Included, Pendant w/10ft cord	2nd Stage: 6 (98) @ 10,000 psi (690 bar)							8.45 (215)	26 (11,79)	PB102P-1
PB102R-1	18VDC Power Pump, S/A, 2-Way w/Auto Dump and Pressure Regulator	(1), (3)	Single Acting	2-Way/ Auto. Dump / Pressure Regulator (9561, 9560)	Advance / Return (Auto) / Pressure Adjustment 1-10K	Optional								9.52 (242)	25 (11,34)	PB102R-1
PB102A-1	18VDC Power Pump, S/A, Auto Dump	(2)	Single Acting	Auto. Dump (9562)	Advance / Return	Optional								7.56 (192)	24 (10,88)	PB102A-1
PB104-1	18VDC Power Pump, S/A, 4-Way	(4)	Double Acting	4-Way (9563)	Advance / Hold / Return	Optional								10.20 (259)	25 (11,34)	PB104-1
PB102-2	18VDC Power Pump, S/A, 2-Way w/Auto Dump	(1)	Single Acting	2-Way/ Auto. Dump (9561)	Advance / Return (Auto)	Optional	1st Stage: 200 (3,277) @ 200 psi (14 bar)	70	70	(1) One 18VDC L-ion 9.0 Ah included	(1) One 230V M18 Charger Included, Europe only	12.81	7.56	8.45 (215)	24 (10,88)	PB102-2
PB102P-2	18VDC Power Pump, S/A, 2-Way w/Auto Dump	(1)	Single Acting	2-Way/ Auto. Dump (9561)	Advance / Return (Auto)	Included, Pendant w/10ft cord	2nd Stage: 6 (98) @ 10,000 psi (690 bar)							8.45 (215)	26 (11,79)	PB102P-2
PB102R-2	18VDC Power Pump, S/A, 2-Way w/Auto Dump and Pressure Regulator	(1), (3)	Single Acting	2-Way/ Auto. Dump / Pressure Regulator (9561, 9560)	Advance / Return (Auto) / Pressure Adjustment 1-10K	Optional								9.52 (242)	25 (11,34)	PB102R-2
PB102A-2	18VDC Power Pump, S/A, Auto Dump	(2)	Single Acting	Auto. Dump (9562)	Advance / Return	Optional								7.56 (192)	24 (10,88)	PB102A-2
PB104-2	18VDC Power Pump, S/A, 4-Way	(4)	Double Acting	4-Way (9563)	Advance / Hold / Return	Optional								10.20 (259)	25 (11,34)	PB104-2
PB102-0	18VDC, 1/4 HP Power Pump, S/A, 2-Way w/ Auto Dump	(1)	Single Acting	2-Way/ Auto. Dump (9561)	Advance / Return (Auto)	Optional	1st Stage: 200 (3,277) @ 200 psi (14 bar)	70	70	(1) One 18VDC L-ion 9.0 Ah included	No charger is included	12.81	7.56	8.45 (215)	24 (10,88)	PB102-0
PB102P-0	18VDC Power Pump, S/A, 2-Way w/Auto Dump	(1)	Single Acting	2-Way/ Auto. Dump (9561)	Advance / Return (Auto)	Included, Pendant w/10ft cord	2nd Stage: 6 (98) @ 10,000 psi (690 bar)							8.45 (215)	26 (11,79)	PB102P-0
PB102R-0	18VDC Power Pump, S/A, 2-Way w/Auto Dump and Pressure Regulator	(1), (3)	Single Acting	2-Way/ Auto. Dump / Pressure Regulator (9561, 9560)	Advance / Return (Auto) / Pressure Adjustment 1-10K	Optional								9.52 (242)	25 (11,34)	PB102R-0
PB102A-0	18VDC Power Pump, S/A, Auto Dump	(2)	Single Acting	Auto. Dump (9562)	Advance / Return	Optional								7.56 (192)	24 (10,88)	PB102A-0
PB104-0	18VDC Power Pump, S/A, 4-Way	(4)	Double Acting	4-Way (9563)	Advance / Hold / Return	Optional								10.20 (259)	25 (11,34)	PB104-0

Technical Dimensions



Hardware Included



Turnkey, 10,000 PSI (690 bar) hydraulic power pump powered by an 18VDC Li-Ion battery, ships with hydraulic oil.



Transport shoulder strap with clips installed on shroud for quick fastening or removal.



One 18VDC Li-Ion 9.0 Ah Battery, additional batteries can be purchased separately.



18VDC battery charger available in 115V or 230V for certain models, refer to the ordering information below.



Optional Remotes

These remotes are equipped with connectors to enable the operator to "plug and play" the connection quickly. The wiring is configured to allow the operator to use the power switch on the pump or operate remotely once connected.



Hand Pendant
Order # 3000989

Foot Pendant
Order # 3000975

(1) 2-Way Auto Dump Function: Flapper handle in "hold" position will allow the tool to advance and maintain pressure when the motor is shut off, flapper handle must be switched back to retract and dump pressure. Flapper handle is set to "return" position, power on will advance tool and power off will retract tool and dump pressure.
(2) Auto Dump Function: Power on - tool advances, and power off - tool returns, releasing pressure to tank.

(3) Using the external knob, the pressure regulator valve allows the operator to externally adjust the pressure on demand, ranges from 500 - 10,000 psi.

(4) Four-way valve direction is controlled by the handle lever. Three position; Advance, hold, retract.