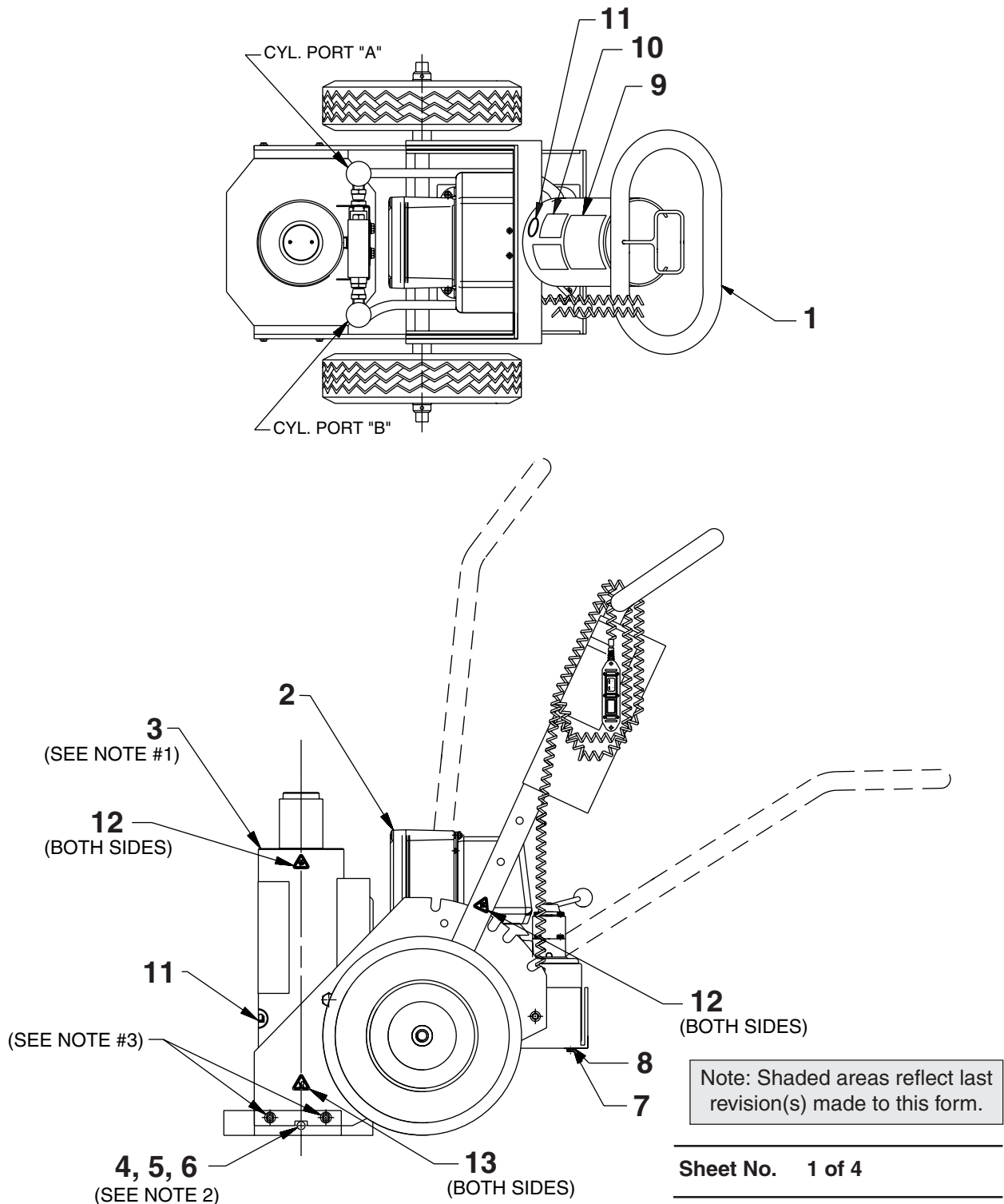


Air or Electric (115 or 220 volt) Motor Driven HIGH TONNAGE JACK ASSEMBLY



Parts List, Form No. 108021, Back sheet 1 of 4

| Item No. | Part No. | No. Req'd | Description |
|----------|-----------|-----------|--|
| 1 | 65940 | 1 | Power Lift Cart (See sheet 4 of 4) |
| 2 | 66027 | 1 | Electric Pump (110/115 V., 50/60 Hz.; For PLE6014; See Form No. 108019) |
| | 66105 | 1 | Air Pump (For PLA6014; See Form No. 108018) |
| | 66027-230 | 1 | Electric Pump (220/230 V., 50/60 Hz.; For PLE6014-230; See Form No. 108019) |
| | 66231 | 1 | Electric Pump (220 V., 50 Hz.; For PLE6014-220; See Form No. 107435) |
| 3 | 66056 | 1 | 60 Ton Cylinder Assembly (See back sheet 2 of 4) |
| 4 | 10150 | 1 | Set Screw (3/8-16 x 1/2 Lg.) |
| 5 | 351930 | 1 | Rod |
| 6 | 214512 | 1 | Ball (5/16 dia.) |
| 7 | 10798 | 4 | Cap Screw (1/2-20 x 7/8 Lg.) |
| 8 | 12004 | 4 | Washer |
| 9 | 421897 | 1 | Trade Name Decal |
| 10 | 350989 | 1 | CE Decal |
| 11 | 253584 | 2 | Read Instructions Pictogram Decal |
| 12 | 251057 | 4 | Warning Decal |
| 13 | 253583 | 2 | Foot Crush Pictogram Decal |

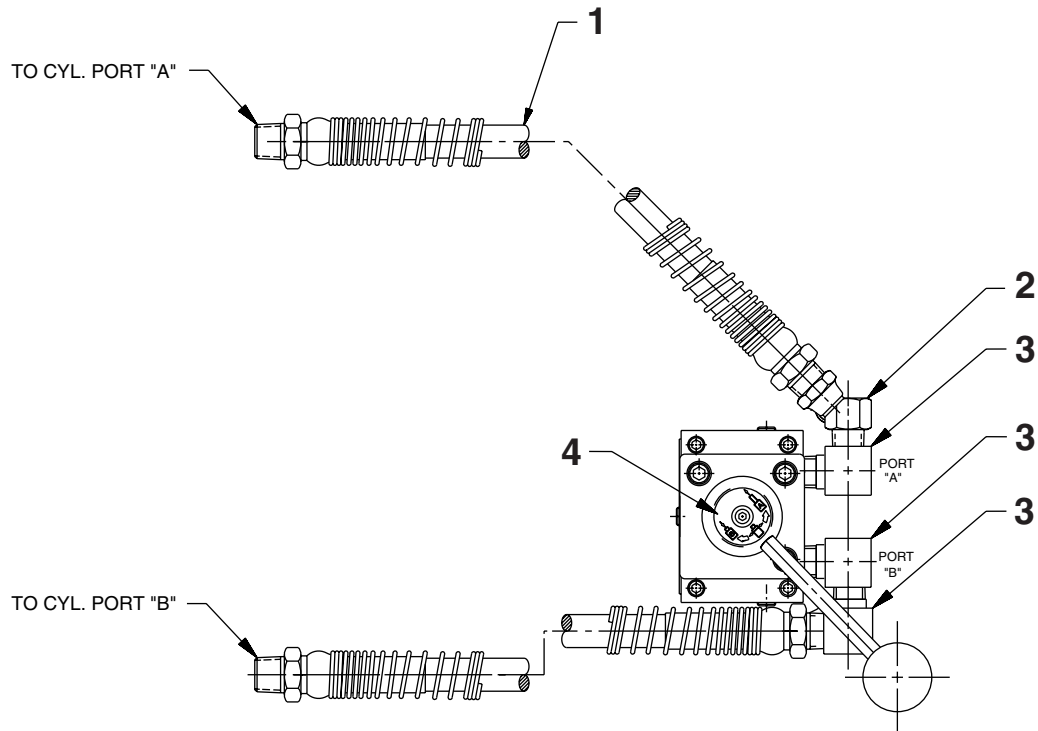
} For PLE6014-E220 only!

Note:

1. Tighten cylinder into base plate and position as shown.
2. Lock in place with set screw (Item #4), rod (Item #5) and nylon ball (Item #6).
3. Adjust both sides to permit full cylinder base contact. After the unit is completely assembled, torque to 65/70 in. lbs.

Note: Shaded areas reflect last revision(s) made to this form.

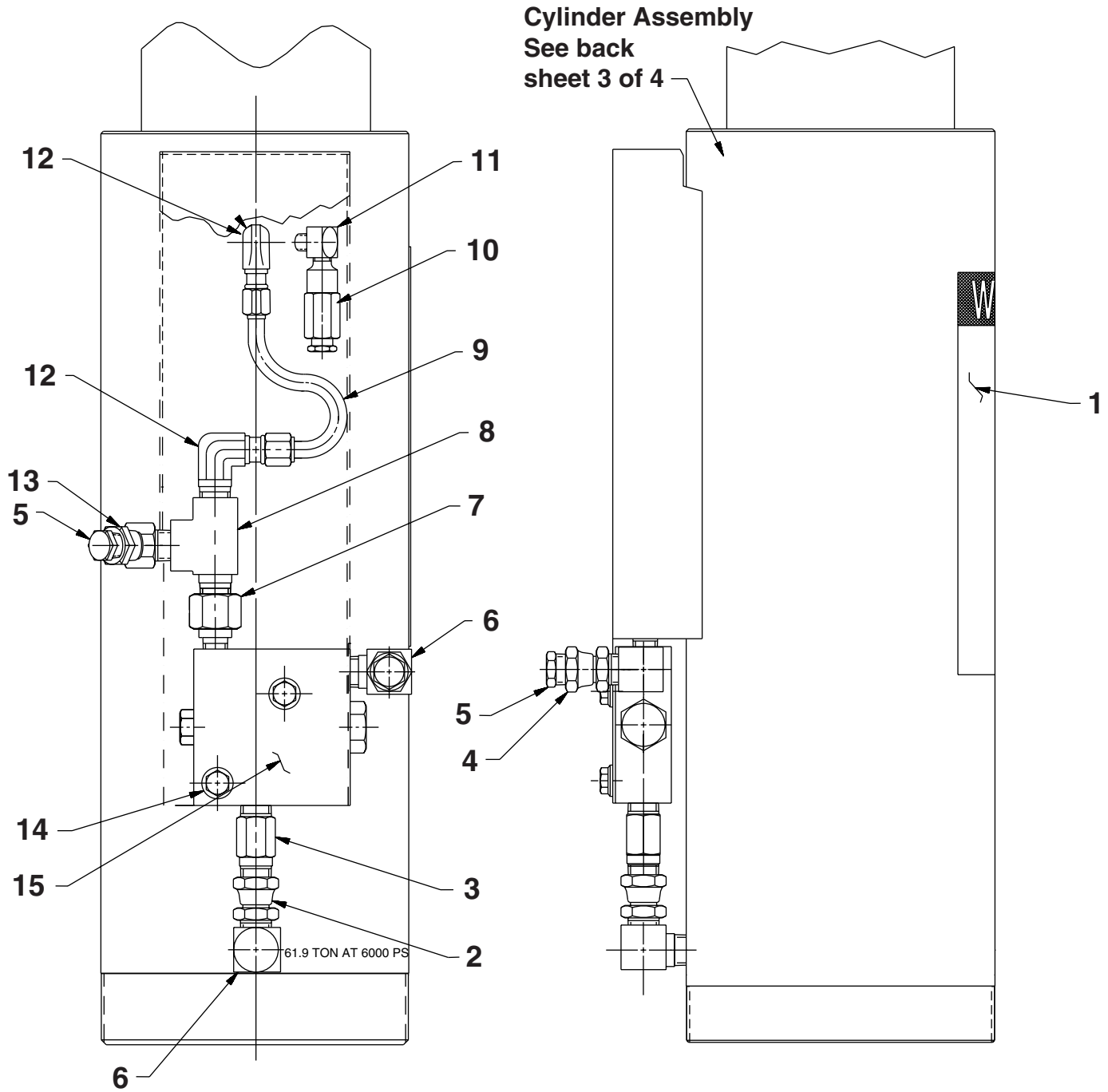
VALVE AND CYLINDER HOSE CONNECTION



| Item No. | Part No. | No. Req'd | Description |
|----------|----------|-----------|--------------------------------------|
| 1 | 36980 | 2 | Polyurethane Hose (2 ft.) |
| 2 | 9677 | 1 | 45° Swivel Connector |
| 3 | 9681 | 3 | Elbow Fitting |
| 4 | 253284 | 1 | Advance-Hold-Retract Pictogram Decal |

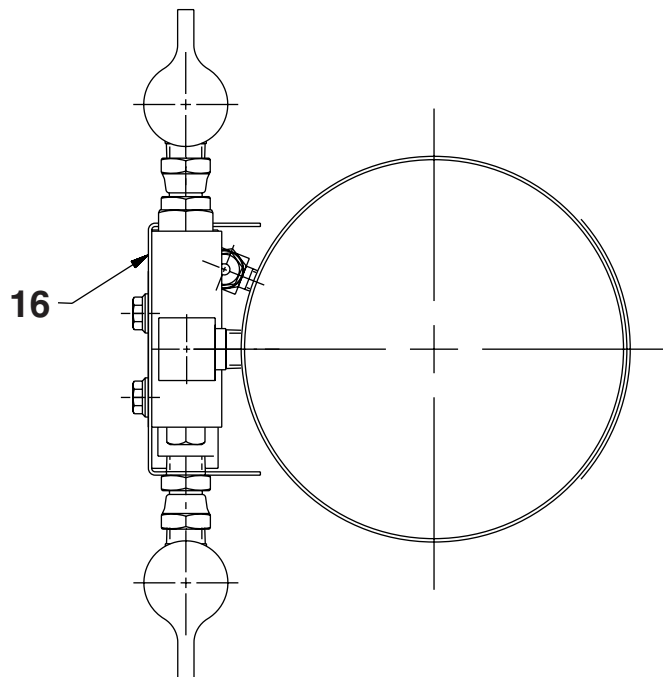
Note: Shaded areas reflect last revision(s) made to this form.

DOUBLE-ACTING CYLINDER ASSEMBLY - EXTERNAL



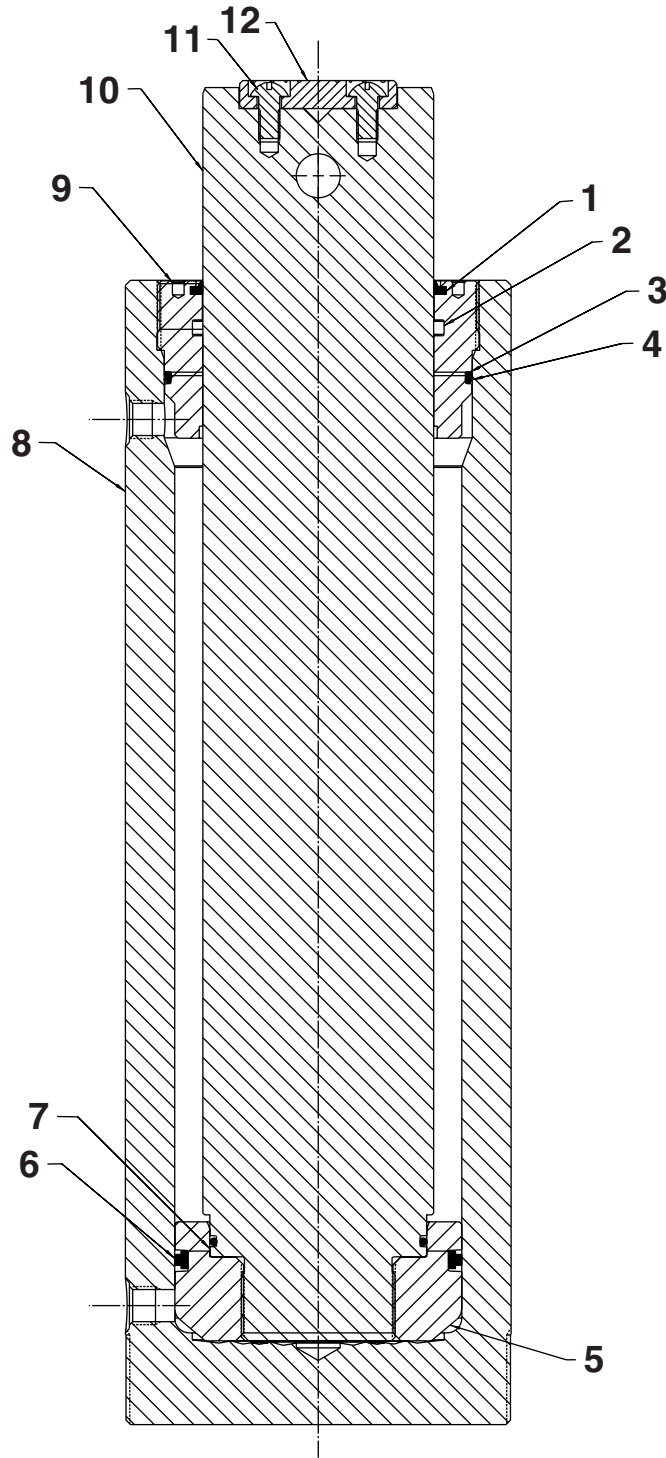
| Item No. | Part No. | No. Req'd | Description |
|----------|------------------|-----------|--|
| 1 | *351998 | 1 | Warning Decal |
| 2 | 10469 | 1 | Straight Fitting |
| 3 | 9683 | 1 | Male Connector |
| 4 | 9675 | 1 | Swivel Connector |
| 5 | 250952 | 1 | Plug Fitting (3/8 NPTF) |
| 6 | 9681 | 2 | Elbow Fitting |
| 7 | 9689 | 1 | Reducer Connector |
| 8 | 9672 | 1 | Tee Adapter |
| 9 | 253482 | 1 | Oil Tube |
| 10 | 21278-70 | 1 | Relief Valve Assembly (Set at 7,100/7,700 PSI) |
| 11 | 24730 | 1 | 90° Elbow Fitting |
| 12 | 10666 | 2 | 90° Elbow Fitting |
| 13 | 9677 | 1 | 45° Swivel Connector |
| 14 | 15273 | 2 | Flange Hex Hd. Screw (5/16-18 x 1/2) |
| 15 | 351239 | 1 | Counterbalance Valve (See Form No. 102896) |
| 16 | 421343OR9 | 1 | Shroud |

Part numbers marked with an asterisk (*) are contained in Repair Kit No. 301020.



Note: Shaded areas reflect last revision(s) made to this form.

CYLINDER ASSEMBLY - INTERNAL

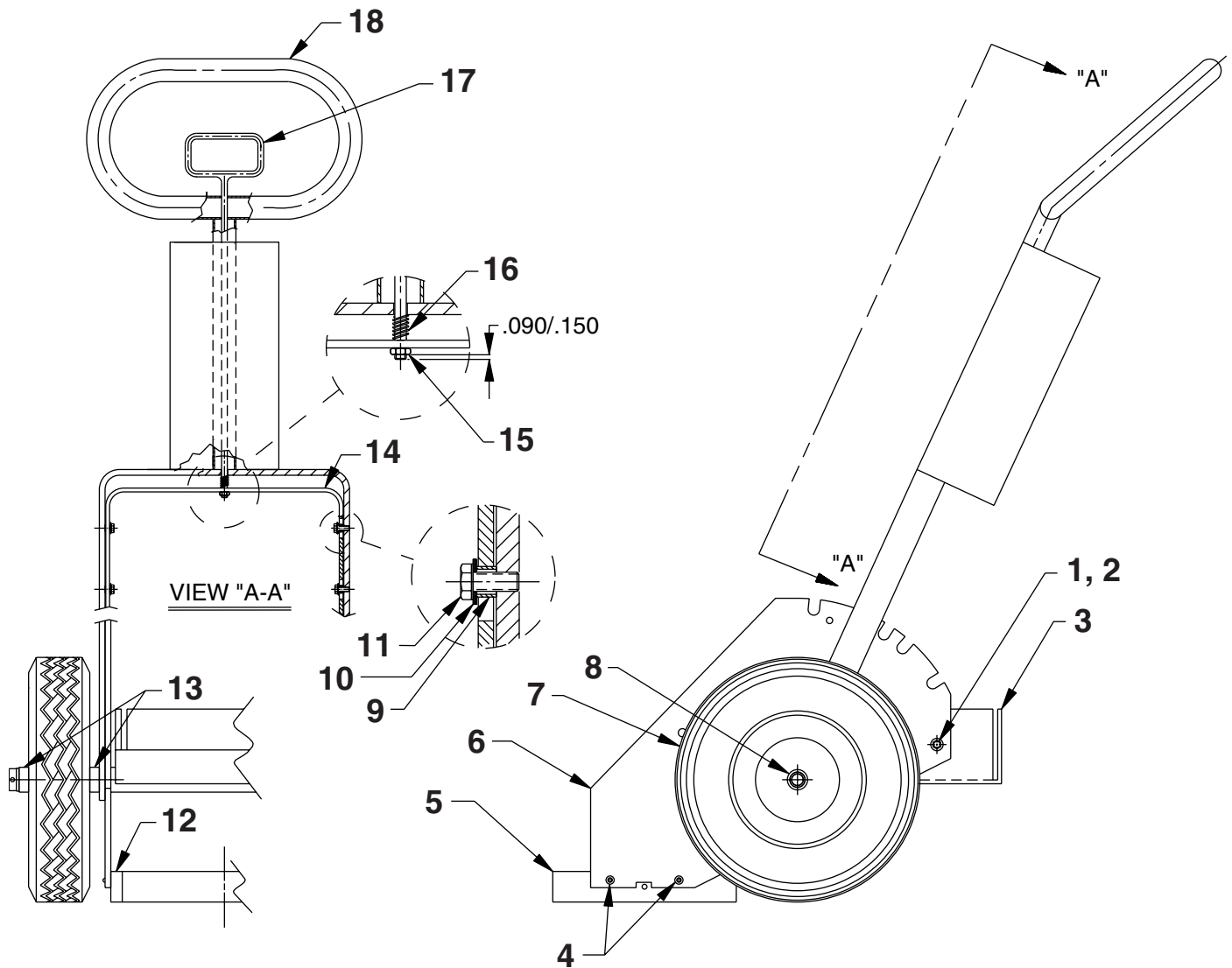


| Item No. | Part No. | No. Req'd | Description |
|----------|----------|-----------|--|
| 1 | *16113 | 1 | Rod Wiper (4.56 x 4.13 urethane) |
| 2 | *253483 | 1 | T-seal (4.50 x 4.12 x .28L) |
| 3 | *19270 | 1 | Backup Washer (5.50 x 5.25) |
| 4 | *10299 | 1 | O-ring (5.50 x 5.25) |
| 5 | 59271 | 1 | Piston Head (Use Loctite No. 277 and torque to 200 ft. lbs.) |
| 6 | *19207 | 1 | T-seal (5.13 x 4.63 x .36L) |

| Item No. | Part No. | No. Req'd | Description |
|----------|----------|-----------|---------------------------------------|
| 7 | *11924 | 1 | O-ring (3.87 x 3.62 urethane) |
| 8 | 66050 | 1 | Cylinder Body |
| 9 | 59270 | 1 | Retainer Nut (Torque to 150 ft. lbs.) |
| 10 | 59269 | 1 | Piston Rod |
| 11 | 16112 | 2 | Rnd. Hd. Screw (3/8-16 x 3/4) |
| 12 | 36161 | 1 | Cylinder Cap |

Part numbers marked with an asterisk (*) are contained in Repair Kit No. 301020.

CART ASSEMBLY



| Item No. | Part No. | No. Req'd | Description |
|----------|-----------|-----------|--|
| 1 | 10049 | 2 | Hex Hd. Cap Screw (3/8-16 x 1; Loctite No. 222 or equivalent) |
| 2 | 252169 | 2 | Special Washer (.39 x .75; Assemble with burr side of washer facing out [both sides].) |
| 3 | 421783OR9 | 1 | Pump Mounting Plate |
| 4 | 253503 | 4 | Hex Soc. But. Hd. Screw |
| 5 | 59280 | 1 | Cylinder Mounting Plate |
| 6 | 421784 | 2 | Side Panel |
| 7 | 252258 | 2 | Tire & Wheel Assembly |
| 8 | 253550 | 1 | Axle |

| Item No. | Part No. | No. Req'd | Description |
|----------|----------|-----------|---------------------------------|
| 9 | 253546 | 4 | Spacer |
| 10 | 10230 | 4 | Wrought Washer (.89 x .38) |
| 11 | 10032 | 4 | Hex Hd. Cap Screw (5/16-18 x 1) |
| 12 | 351951 | 2 | Spacer |
| 13 | 252259 | 4 | Shaft Collar |
| 14 | 421785 | 1 | Locking Lever |
| 15 | 12724 | 1 | Hex Lock Jam Nut (3/8-24) |
| 16 | 251302 | 1 | Spring (0.61 OD x 1.7 x .05 WS) |
| 17 | 351811 | 1 | Release Lever |
| 18 | 66025 | 1 | Handle Assembly |