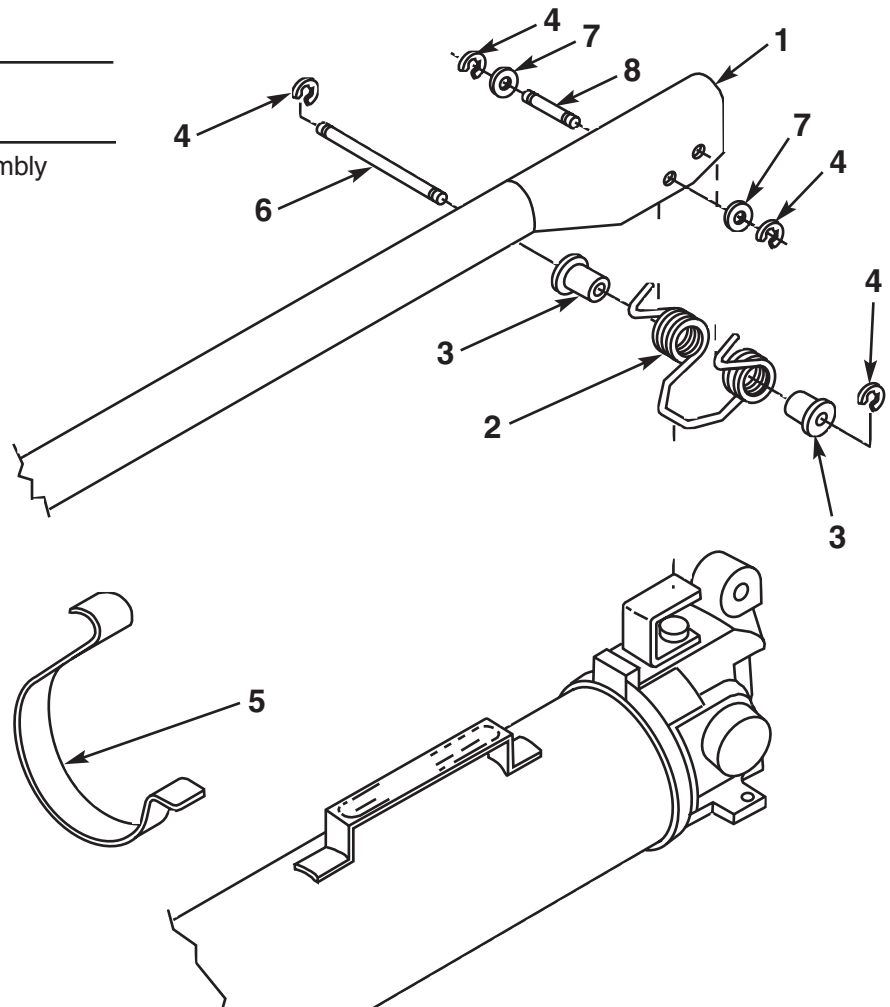


## CONVERSION KIT

CONVERTS HYDRAULIC HAND OPERATED PUMPS TO FOOT PUMP OPERATION

Item No.	Part No.	No. Req'd	Description
1	58017	1	Foot Lever Assembly
2	421914	1	Spring
3	214884	2	Spring Retainer
4	211743	4	Retaining Ring
5	350026	1	Handle Holder
6	214883	1	Pin (3-7/16" Lg.)
7	253644	2	Plain Washer
8	251702	1	Pin



## DISASSEMBLY of the HAND PUMP HANDLE

1. Clean the pump before beginning disassembly. With the pump on a clean work surface, continue with the following disassembly steps.  
**IMPORTANT: Do not damage the piston or allow any contamination to enter the pump since this could cause pump failure.**
2. Remove one of the retaining rings on the front pin of the handle assembly. Slide the pin out.
3. Remove both retaining rings and washers from the other pin and slide it out. Remove the handle. Leave the piston clip in position on the piston.

## ASSEMBLING the FOOT LEVER to the PUMP

1. Position the spring under the foot lever assembly and align the holes of the spring with the front holes of the foot lever.
2. Position the foot lever and spring over the protrusion in the pump body and align hole in protrusion with those of the spring. Lubricate the long pin (#214884) provided with the conversion kit and slide it through the spring, foot lever and pump protrusion. Place a spring retainer over each end of the pin and slide them into the spring. Place a retaining ring (provided) on each end of the pin.
3. Connect the foot lever to the piston by placing the short pin (#251702) through the remaining holes in the foot lever and the piston clip. Secure with a washer and retaining ring on each end of the pin. The hook ends of the spring should hook on this pin between the foot lever and the washers.
4. Place the handle holder onto the pump reservoir behind the pump carrying handle and secure the foot lever in it.

