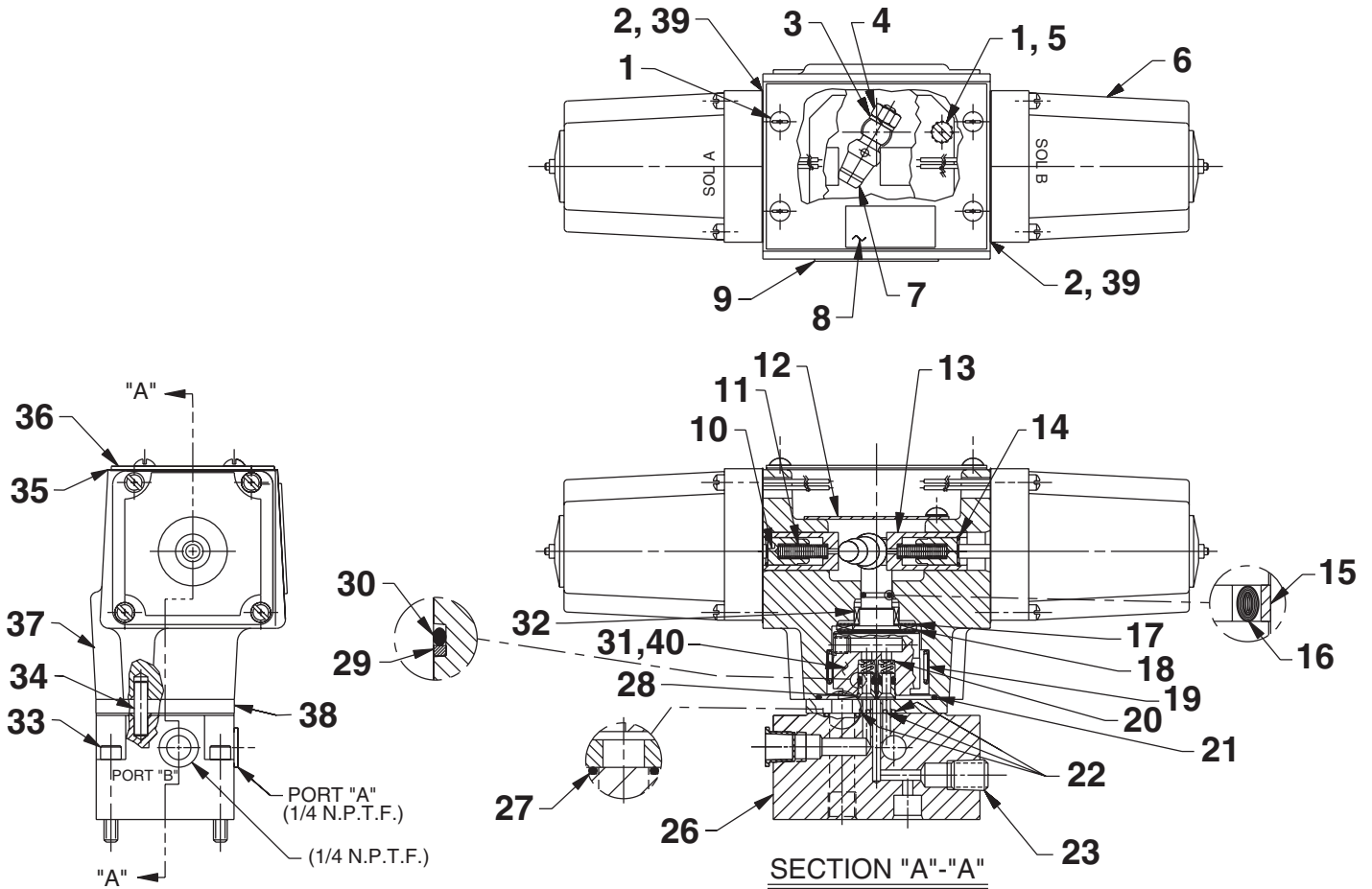


Parts List for:

9552	66205-200
9572	66206-110
9592	66206-220

MODEL B TWO POSITION, 4-WAY, PUMP-MOUNTED, SOLENOID-OPERATED VALVE ASSEMBLY

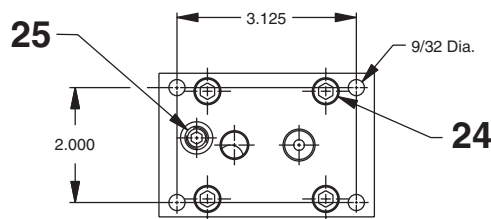


Refer to any operating instructions included with the product for detailed information about operation, testing, disassembly, and preventive maintenance.

Items found in this parts list have been carefully tested and selected.

Therefore: Use only genuine Power Team replacement parts!

Additional questions can be directed to our Technical Services Department.



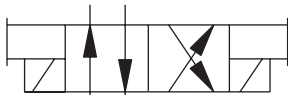
MOUNTING HOLE DIMENSIONS

Parts List, Form No. 108066, Back sheet 1 of 1

Item No.	Part No.	No. Req'd	Description	Item No.	Part No.	No. Req'd	Description
1	10164	5	Machine Screw (#10-24 UNC x 3/8 Lg.)	22	†*15023	3	O-ring (5/16 x 3/16 x 1/16; Urethane)
2	303980	2	Stop Plate		11437	3	O-ring (5/16 x 3/16 x 1/16; Viton)
3	10245	1	Lockwasher (For 1/4" bolt)		17714	3	O-ring (5/16 x 3/16 x 1/16; EPR)
4	15504	1	Locknut	23	10479	1	Pipe Plug (1/4 NPTF)
5	11108	1	Lockwasher (#10 external tooth)	24	†252308	4	Soc. Hd. Cap Screw (5/16-18 x 2-1/4 Lg.; Torque to 170/180 in. lbs.)
6	304068	2	Solenoid (115 V., 50/60 Hz; For 9592 & 66206-110)	25	†15499	1	Pipe Plug (1/8 NPTF; Turn in flush)
	304069	2	Solenoid (230 V., 50/60 Hz; For 9552 & 66206-220)	26	†66203	1	Subplate
	304070	2	Solenoid (24 V., 50/60 Hz.; For 9572)	27	†*16164	1	O-ring (.63 x .50 Urethane)
	350201	2	Solenoid (200 V., 50/60 Hz.; For 66205-200)		11440	1	O-ring (.63 x .50 Viton)
7	304030	1	Lever (Lubricate at assembly)		12399	1	O-ring (.63 x .50 EPR)
8	209383	1	Patent Decal	28	303935	2	Shear Seal
9	352041	1	Trade Name Decal (For 9592)	29	*15174	2	Backup Washer (5/16 x 3/16 x 3/64)
	352042	1	Trade Name Decal (For 9572)	30	*10265	2	O-ring (5/16 x 3/16 x 1/16; Nitrile)
	352040	1	Trade Name Decal (For 9552)		11437	2	O-ring (5/16 x 3/16 x 1/16; Viton)
10	208590	2	Spring Guide (Lubricate at assembly)	31	17714	2	O-ring (5/16 x 3/16 x 1/16; EPR)
11	13960	2	Compression Spring (1/4 O.D. x 1-1/2 Lg.)	32	52064	1	Rotor
12	303977	1	Inner Cover	33	208671	1	Needle Roller Bearing
13	303968	2	Actuator Plunger (Lubricate at assembly)	34	†252309	1	Soc. Hd. Machine Screw (1/4-20 UNC x 1-1/2 Lg.; Note When using this valve on a PE30 Series pump order (4) 12001 Screws for mounting valve to pump.)
14	11522	2	Retaining Ring (For 1/2" hole)	35	303986	1	Spring Pin
15	*208672	1	Glyd Ring	36	303976	1	Cover Gasket
16	*10268	1	O-ring (1/2 x 3/8 x 1/16; Nitrile)	37	61077	1	Cover
	11439	1	O-ring (1/2 x 3/8 x 1/16; Viton)	38	†421896	1	Valve Body
	17716	1	O-ring (1/2 x 3/8 x 1/16; EPR)	39	351404	4	Subplate
17	15935	2	Thrust Washer				Gasket (For 66206-110 & 66206-220; Place one gasket on each side of stop plate [Item #2])
18	12188	1	Roller Bearing	40	15130	1	1/16 Pipe Plug
19	17505	1	Needle Roller Bearing	PARTS INCLUDED BUT NOT SHOWN			
20	15095	2	Compression Spring (1/4 O.D. x 15/32 Lg.)		9689	1	Straight Fitting
21	†*214699	1	O-ring (2-3/16 x 2" x 3/32; Urethane)		16797	1	90° Elbow Fitting
	19017	1	O-ring (Viton)		200609	1	Drain Tube
	250400	1	O-ring (EPR)	} For 9552, 9572 & 9592			

Part numbers marked with an asterisk (*) are contained in Repair Kit No. 300332.
NOTE: Part numbers marked with a dagger (†) are in Conversion Kit No. 301023.
This kit converts a Model A valve to a Model B.

A B



P T

UNIT SCHEMATIC

**2-POSITION, 4-WAY
SOLENOID OPERATED
PUMP MOUNTED**

**RATED PRESSURE = 10,000 P.S.I.
RATED CASE PRESSURE = 1,000 P.S.I.
RATED FLOW = 5 G.P.M.**

SPECIFICATIONS

FUNCTION:

**"A" POSITION: (SOLENOID "A")
HYD. PRESSURE TO "A" PORT,
"B" PORT TO TANK.**

**"B" POSITION: (SOLENOID "B")
HYD. PRESSURE TO "B" PORT,
"A" PORT TO TANK.**

NOTE:

**ALL PORTS OPEN TO TANK DURING
TRANSITION BETWEEN VALVE POSITIONS.**

ELECTRICAL:	220 VAC. 50/60 HZ.	115 VAC. 50/60 HZ.	24 VAC. 50/60 HZ.	200 VAC. 50/60 HZ.
INRUSH CURRENT	2.6/2.8 AMP.	4.9/5.3 AMP.	24/24.5 AMP.	2.6/2.4 AMP.
HOLDING CURRENT	.25/.31 AMP.	.6/.6 AMP.	2.8/2.9 AMP.	.35/.26 AMP.

Note: Shaded areas reflect last revision(s) made to this form.