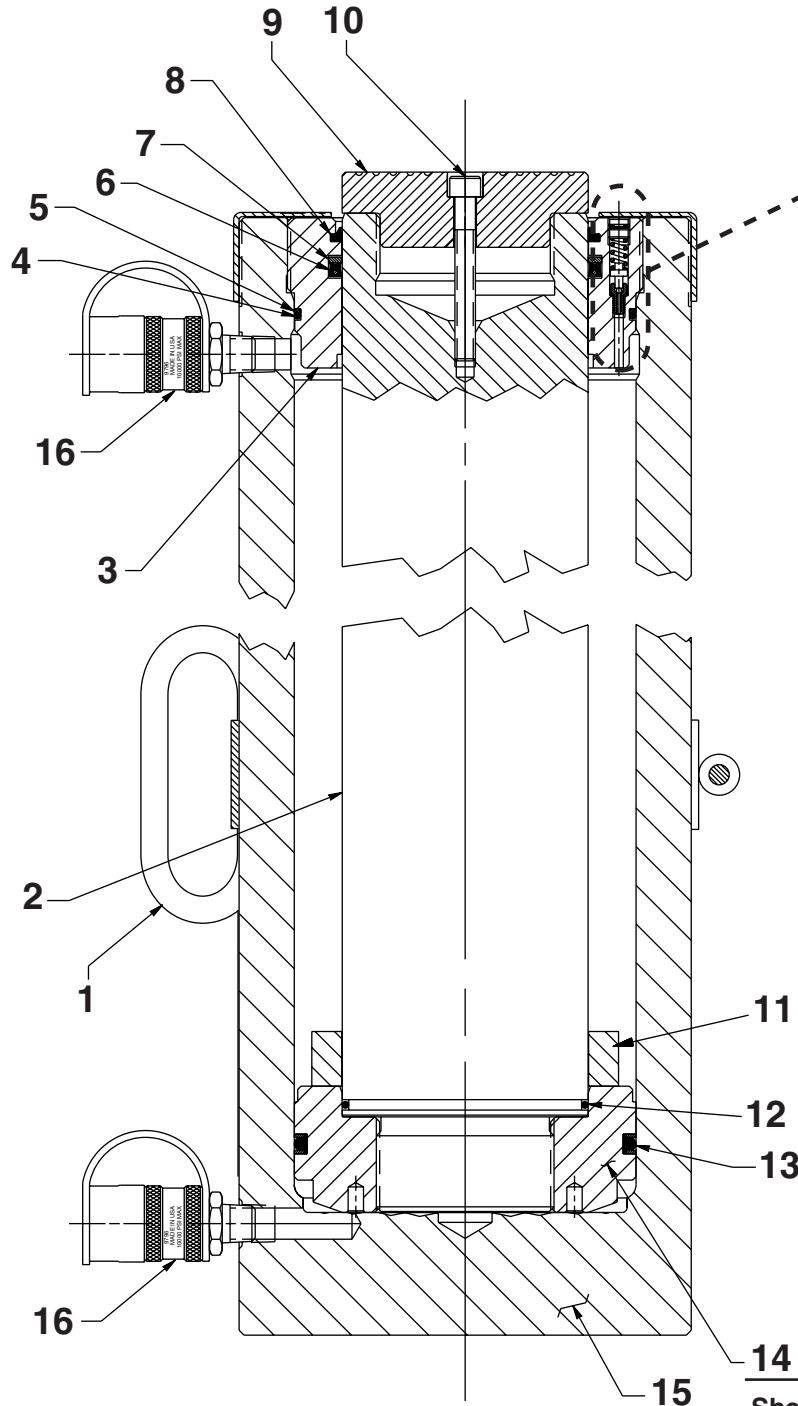


MODEL B DOUBLE-ACTING HYDRAULIC CYLINDER

Max. Capacity: 153.4 Tons at 10,000 PSI



Double-acting
Cylinder
Relief Valve

See important

! DANGER
statement
on back of
sheet 1 of 1



DANGER: To help avoid possible serious personal injury or death,

- In the event that the cylinder retract port is ever restricted or plugged, a double-acting cylinder relief valve will help prevent excessive pressure from building in the cylinder. **DO NOT** attempt to adjust or service this relief valve! If oil leakage is detected from this relief valve, discontinue use of the cylinder immediately and contact **Power Team Technical Services**. Only Power Team Authorized Hydraulic Service Centers should service this relief valve.

| Item No. | Part No. | No. Req'd | Description |
|----------|-----------|-----------|--|
| 1 | 421939OR9 | 1 | Cylinder Lift Handle Assembly |
| 2 | 65953 | 1 | Piston Rod |
| 3 | 51312 | 1 | Retainer Nut (Torque to 90/110 ft. lbs.) |
| 4 | *13425 | 1 | O-ring (6-1/4 x 6" x 1/8) |
| 5 | *19298 | 1 | Backup Washer (6-1/4 x 6" x .048) |
| 6 | *19293 | 1 | U-cup |
| 7 | *19349 | 1 | Backup Washer (5" x 4-1/2 x .105) |
| 8 | *207497 | 1 | Rod Wiper |
| 9 | 38425 | 1 | Serrated Insert |
| 10 | 17816 | 1 | Cap Screw (3/8-16 UNC X 3" Lg.) |
| 11 | 351826 | 1 | Spacer |
| 12 | *19295 | 1 | O-ring (2-1/2 x 2-1/4 x 1/8) |
| 13 | *19296 | 1 | Piston T-seal w/Backup Rings |
| 14 | 51311 | 1 | Piston Head (Use Loctite No. 277 when assembling Piston Head to Piston Rod [Item #2]) |
| 15 | 65954 | 1 | Cylinder Body |
| 16 | 9796 | 2 | Cylinder Half Coupler w/ Plastic Dust Cap |

PARTS INCLUDED BUT NOT SHOWN

| | | |
|--------|---|------------------|
| 37782 | 1 | Warning Decal |
| 351828 | 1 | Trade Name Decal |
| 421271 | 1 | Thread Protector |



Part numbers marked with an asterisk (*) are contained in Repair Kit No. 300007.

Refer to any operating instructions included with this product for detailed information about operation, testing, disassembly, reassembly, and preventive maintenance.

Items found in this parts list have been carefully tested and selected. **Therefore: Use only genuine Power Team replacement parts!**

Additional questions can be directed to our Technical Services Department.

Note: Shaded areas reflect last revision(s) made to this form.