

SPX Corporation  
2121 West Bridge Street  
Owatonna, MN 55060 USA  
Phone: (507) 455-7100  
Tech. Services: (800) 477-8326  
Fax: (800) 765-8326  
Order Entry: (800) 541-1418  
Fax: (800) 288-7031

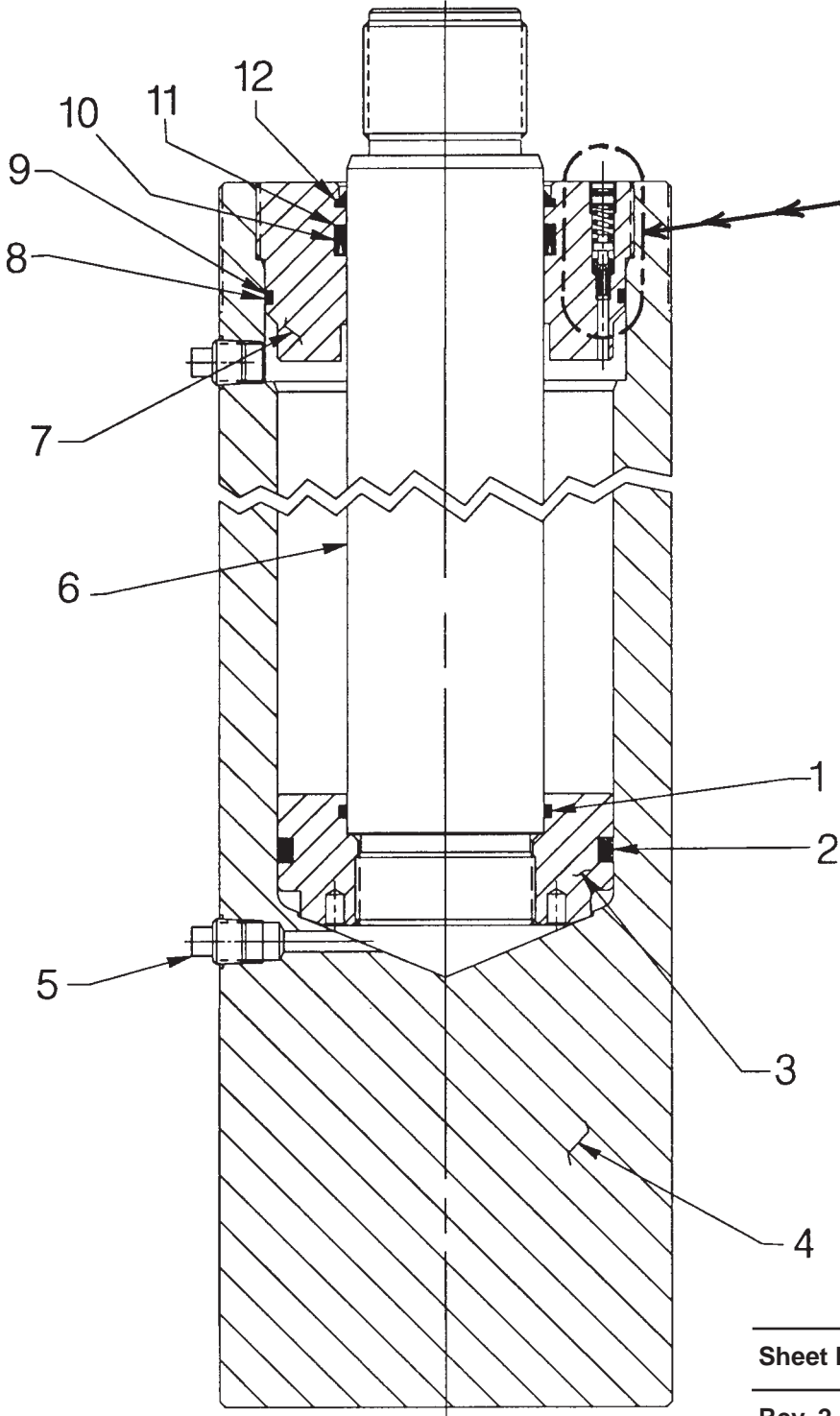
International Sales: (507) 455-7150  
Fax: (507) 455-7122  
Internet Address:  
<http://www.powerteam.com>

Parts List for:

64559

## DOUBLE-ACTING HYDRAULIC CYLINDER

Max. Capacities: 103.1 Tons at 10,000 PSI (Extended)  
67.8 Tons at 10,000 PSI (Return)



Double-acting  
Cylinder  
Relief Valve

See important  
**! DANGER**  
statement  
on back of  
sheet 1 of 1

Sheet No. 1 of 1

Rev. 2 Date: 2 Nov. 1999

 **DANGER:** To help avoid possible serious personal injury or death,

- In the event that the cylinder retract port is ever restricted or plugged, a double-acting cylinder relief valve will help prevent excessive pressure from building in the cylinder. **DO NOT** attempt to adjust or service this relief valve! If oil leakage is detected from this relief valve, discontinue use of the cylinder immediately and contact **Power Team Technical Services**. Only Power Team Authorized Hydraulic Service Centers should service this relief valve.

Item No.	Part No.	No. Req'd	Description
1	*11520	1	O-ring (3-1/4 x 3" x 1/8)
2	*19207	1	T-seal with Backup Ring
3	58500	1	Piston Head (Use Loctite #277 and primer when assembling this piston head to the piston rod [Item #6]. Torque to 200 ft. lbs. Cure for 20 hours minimum. Mark an indelible line across the piston head and piston rod at the thread joint. Visually check for red loctite at thread intersection after cure. Torque counterclockwise with 240/250 ft. lbs. Check line to be sure that the part has not moved.)
4	64548	1	Cylinder Body
5	11127	2	Pressure Plug (3/8 NPTF)
6	58468	1	Piston Rod
7	58499	1	Retainer Nut (Torque to 150 ft. lbs. min.)
8	*10299	1	O-ring (5-1/2 x 5-1/4 x 1/8)
9	*19270	1	Backup Washer (5-1/2 x 5-1/4 x .048)
10	*12700	1	U-cup
11	*19154	1	Backup Washer (3-3/8 x 3" x .070)
12	*19314	1	Rod Wiper



**PARTS INCLUDED BUT NOT SHOWN**  
**37782**      1      Warning Decal

Part numbers marked with an asterisk (\*) are contained in Repair Kit No. 300670.

Refer to any operating instructions included with this product for detailed information about operation, testing, disassembly, reassembly, and preventive maintenance.

Items found in this parts list have been carefully tested and selected. **Therefore: Use only genuine Power Team replacement parts!**

Additional questions can be directed to our Technical Services Department.

Note: Shaded areas reflect last revision(s) made to this form.