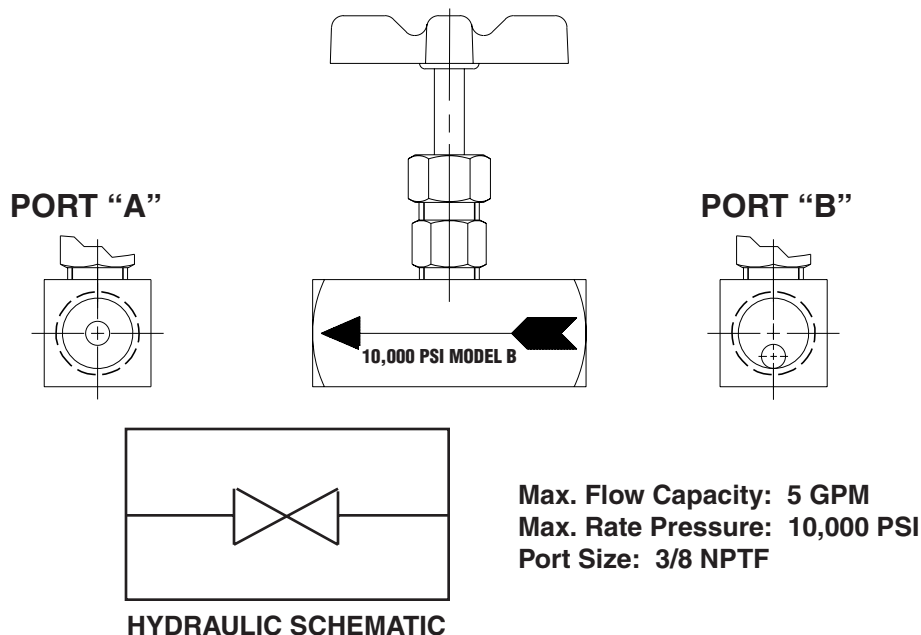


**MODEL B
SHUT-OFF VALVE ASSEMBLY**

Shut-off Valve #9575 is designed to be used both as a shut-off device and as an adjustable metering valve. If used as an adjustable metering valve the port connections are unimportant. However, if used as a shut-off valve, best results are achieved if it is plumbed into the system with the side which will see the greatest pressure or the side of the valve which is expected to hold pressure (when the valve is shut off) being towards the back side of the arrow or the end of the valve opposite the arrow point (Port B - see illustration above).

This valve is designed with an adjustable gland packing to prevent leakage of hydraulic fluid from the valve stem. If leakage should occur, follow the gland nut adjusting procedure as outlined below.

Gland Nut Adjustment

1. Release system pressure completely from both ports of the #9575 valve.
2. Place valve in an open position. This is achieved by turning the adjustment handle counterclockwise a minimum of three full turns.
3. Place valve body in a vise. Using a wrench on the gland nut, turn the gland nut in a **clockwise** direction 1/8 turn.
Note: Do not turn in a counterclockwise direction as this will only loosen the nut!
4. Rotate the adjustment handle in and out a couple times to determine if the gland nut adjustment made has caused a slight drag on the valve stem.
5. Pressurize the system, and check for leakage.
6. If leakage occurs, continue to adjust the gland nut (steps 1 through 5) until the proper operation is obtained.
7. If leakage continues, order a replacement gland packing (Power Team #250669) and follow the assembly instructions as outlined on back of sheet 1 of 1.

Note: Shaded areas reflect last revision(s) made to this form.

Sheet No. 1 of 1

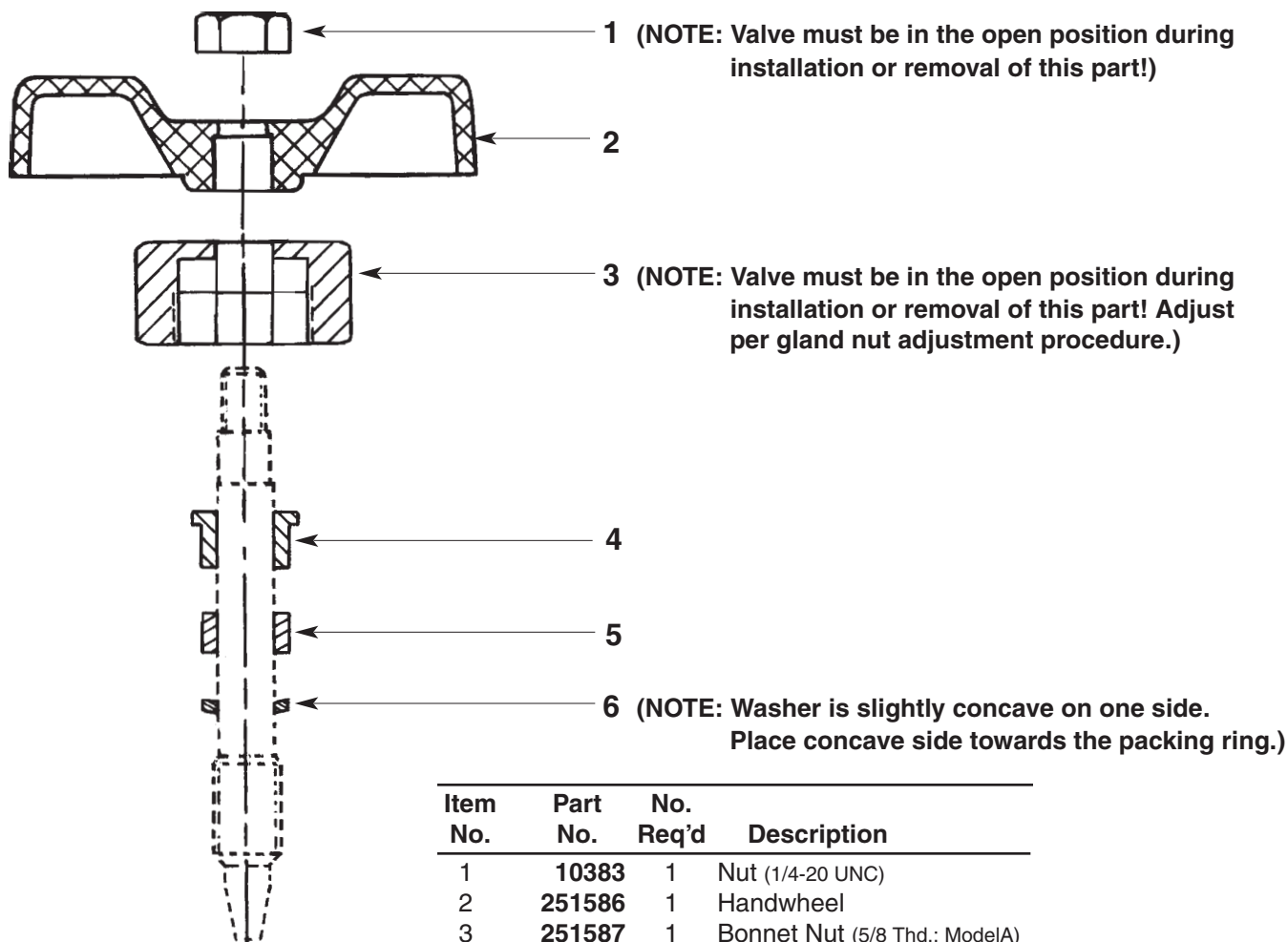
Rev. 1 Date: 14 Oct. 1999

Gland Packing Replacement Instructions

(Refer to illustration below.)

1. Valve must be in the open position during disassembly and reassembly.
2. Disassemble all components of shut-off valve. Inspect all components that come into contact with the gland packing for any nicks, scratches, or other flaws that could cause the new packing to leak.
3. Install packing washer on the valve stem. **Note: Washer is slightly concave on one side. Place this concave side towards the gland packing.**
4. Install the new gland packing and replace the bushing.
5. Thread valve stem into body completely, then back out three full turns to assure the valve is in the open position.
6. Place gland nut over bushing and packing. Thread gland nut onto valve body and tighten with a wrench just enough to begin to feel some drag on the valve stem when turning the adjusting handle.
7. Install valve into hydraulic system and pressurize the system. Check the gland nut for any oil leakage. If necessary, adjust the gland nut by following the procedure outlined on front of sheet 1 of 1.
8. Replace handle and nut. Tighten self-locking nut with a wrench.

PARTS LIST



Item No.	Part No.	No. Req'd	Description
1	10383	1	Nut (1/4-20 UNC)
2	251586	1	Handwheel
3	251587	1	Bonnet Nut (5/8 Thd.; Model A)
	251591	1	Bonnet Nut (3/4 Thd.; Model B)
4	*251588	1	Bushing
5	*250669	1	Packing Ring
6	*251589	1	Packing Washer

Part numbers marked with an asterisk (*) are contained in Repair Kit No. 300683.