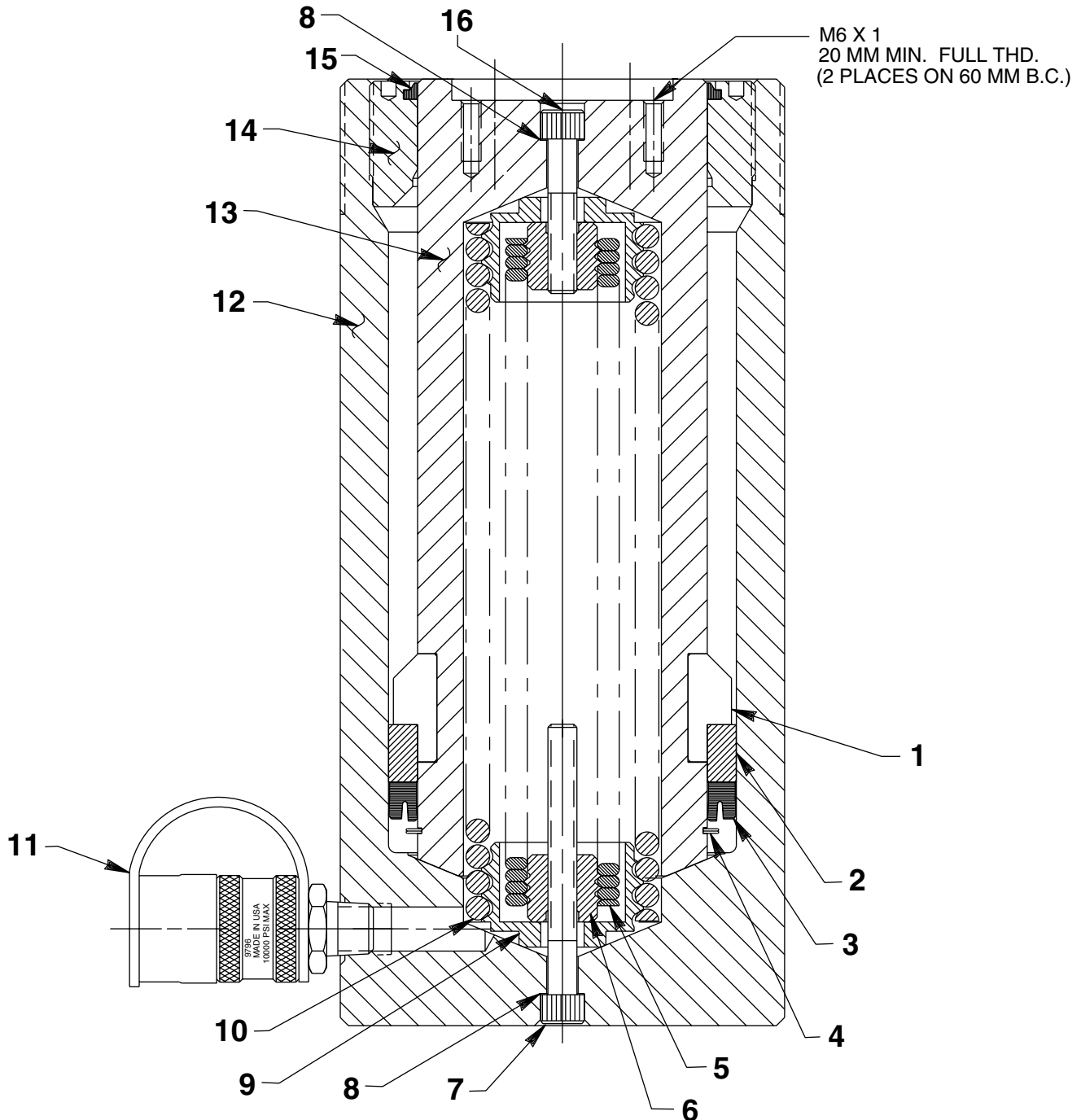


SINGLE-ACTING, SPRING RETURN HYDRAULIC CYLINDER

Max. Capacity: 79.5 Ton at 10,000 PSI



Item No.	Part No.	No. Req'd	Description
1	350695	1	Split Keeper Ring
2	251200	1	Piston Bearing
3	*251203	1	U-cup
	†252038	1	U-cup (Viton)
4	†*251202	1	Retaining Ring
5	201475	1	Extension Spring
6	201417	2	Spring Retainer (Assemble with counterbore as shown [both ends])
7	16110	1	Cap Screw (3/8-16 UNC X 3-1/2 Lg.; Torque to 400/425 in. lbs.)
8	†*12042	2	Copper Washer (9/16 X 3/8 X 1/32)
9	36084	2	Spring Retainer
10	201474	1	Extension Spring
11	9796	1	Ram Half Coupler w/ Plastic Dust Cap
12	58402	1	Cylinder Body
13	58957	1	Piston Rod
14	421528	1	Retainer Nut (Torque to 125/150 ft. lbs.)
15	*250008	1	Rod Wiper
	†252039	1	Rod Wiper (Viton)
16	11531	1	Cap Screw (3/8-16 UNC X 2" Lg.; Torque to 400/425 in. lbs.)

PARTS INCLUDED BUT NOT SHOWN

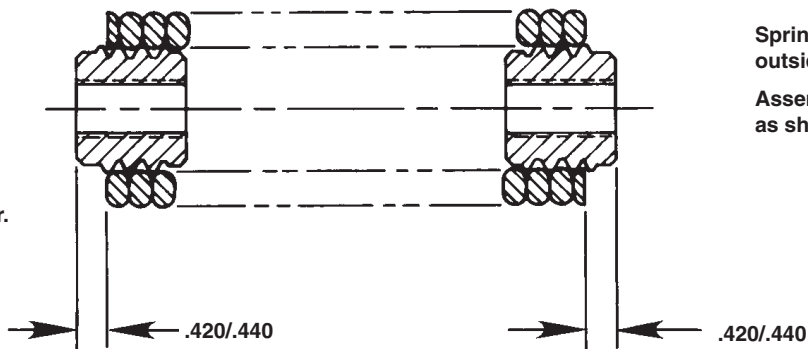
†*203908	1	Warning Decal
†205724	1	Decal (Viton Seals)



Part numbers marked with an asterisk (*) are contained in Repair Kit No. 300647.
 Part numbers marked with a dagger (†) are contained in Viton Seal Kit No. 300846.

SPRING & RETAINER ASSEMBLY

Springs must not extend beyond outside grooves of spring retainer



Springs must not extend beyond outside grooves of spring retainer
 Assemble with Ctr. as shown

Refer to any operating instructions included with this product for detailed information about operation, testing, disassembly, reassembly, and preventive maintenance.

Items found in this parts list have been carefully tested and selected. **Therefore: Use only genuine Power Team replacement parts!**

Additional questions can be directed to our Technical Services Department.