

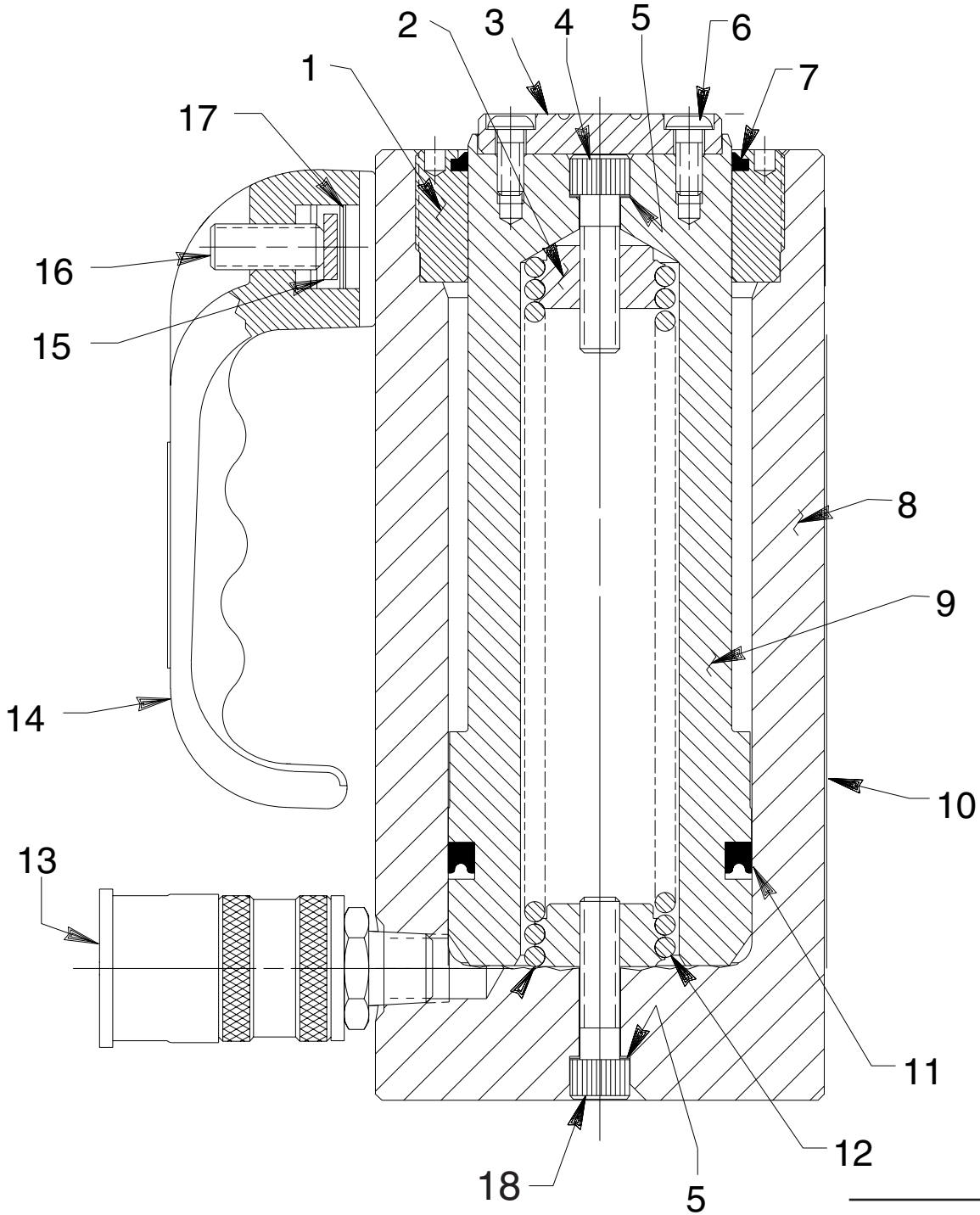
Parts List for:

RA302
RA302K
RA304

RA304K
RA306
RA306K

**SINGLE-ACTING, SPRING RETURN
HYDRAULIC CYLINDER**

Max. Capacity: 32.4 Ton at 10,000 PS



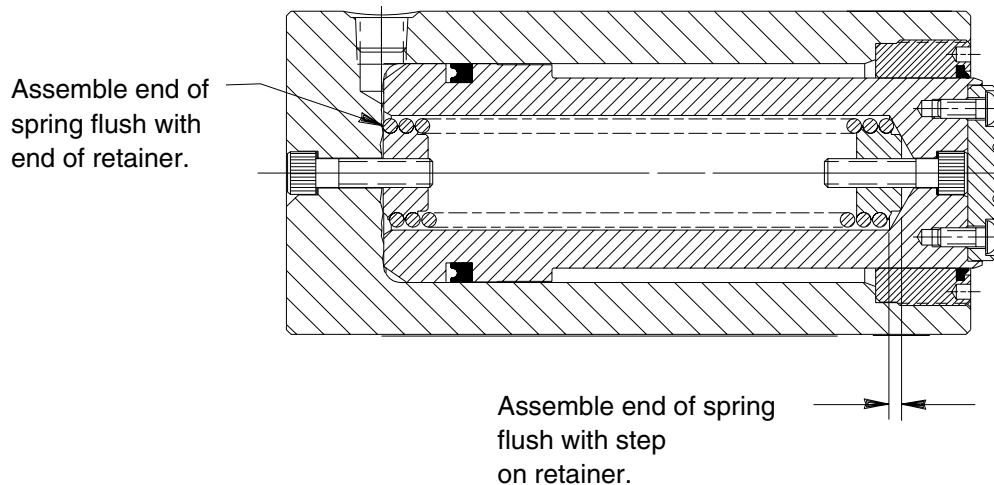
| Item No. | Part No. | No. Req'd | Description |
|----------|----------|-----------|---|
| 1 | 350546 | 1 | Retainer Nut (Torque to 90-100 ft. lbs. wet or dry) |
| 2 | 250877 | 1 | Spring Retainer |
| 3 | 250878 | 1 | Front Plate |
| 4 | 10984 | 1 | Soc. Hd. Cap Screw (3/8-16 UNC x 1-1/2 Lg.; Torque to 400/425 in. lbs.) |
| 5 | *12042 | 2 | Copper Washer (9/16 X 3/8 X 1/32) |
| 6 | 15911 | 2 | Cap Screw (1/4-20 X 5/8 Lg.) |
| 7 | *204969 | 1 | Rod Wiper |
| 8 | 58299 | 1 | Cylinder Body (For RA304 & RA304K) |
| | 58300 | 1 | Cylinder Body (For RA306 & RA306K) |
| | 58386 | 1 | Cylinder Body (For RA302 & RA302K) |
| 9 | 420506 | 1 | Piston Rod (For RA304 & RA304K) |
| | 420508 | 1 | Piston Rod (For RA306 & RA306K) |
| | 420662 | 1 | Piston Rod (For RA302 & RA302K) |
| 10 | 250993 | 1 | Trade Name Decal (For RA304 & RA304K) |
| | 250994 | 1 | Trade Name Decal (For RA306 & RA306K) |
| | 251152 | 1 | Trade Name Decal (For RA302 & RA302K) |
| 11 | *250875 | 1 | U-cup |
| 12 | 250872 | 1 | Extension Spring (For RA304 & RA304K) |
| | 250873 | 1 | Extension Spring (For RA306 & RA306K) |
| | 251153 | 1 | Extension Spring (For RA302 & RA302K) |
| 13 | 25600 | 1 | Ram Half Coupler w/ Plastic Dust Cap |
| 14 | 350547 | 1 | Handle (For RA302K, RA304K & RA306K only) |
| 15 | 250881 | 1 | Tensioner Plate (For RA302K, RA304K & RA306K only) |
| 16 | 251035 | 1 | Hex Soc. Set Screw (7/16-14 UNC x 1" Lg.; Torque to 90/100 in. lbs. For RA302K, RA304K & RA306K only) |
| 17 | 250884 | 1 | Strapping (For RA302K, RA304K & RA306K only) |
| 18 | 12577 | 1 | Soc. Hd. Cap Screw (3/8-16 UNC x 1-3/4 Lg.; Torque to 400/425 in. lbs.) |

PARTS INCLUDED BUT NOT SHOWN

| | | |
|---------|---|---------------|
| *203908 | 1 | Warning Decal |
|---------|---|---------------|

Part numbers marked with an asterisk (*) are contained in Repair Kit No. 300632.

SPRING & RETAINER INSTRUCTIONS



Refer to any operating instructions included with this product for detailed information about operation, testing, disassembly, reassembly and preventive maintenance.

Items found in this parts list have been carefully tested and selected. **Therefore: Use only genuine Power Team replacement parts!**

Additional questions can be directed to our Technical Services Department.