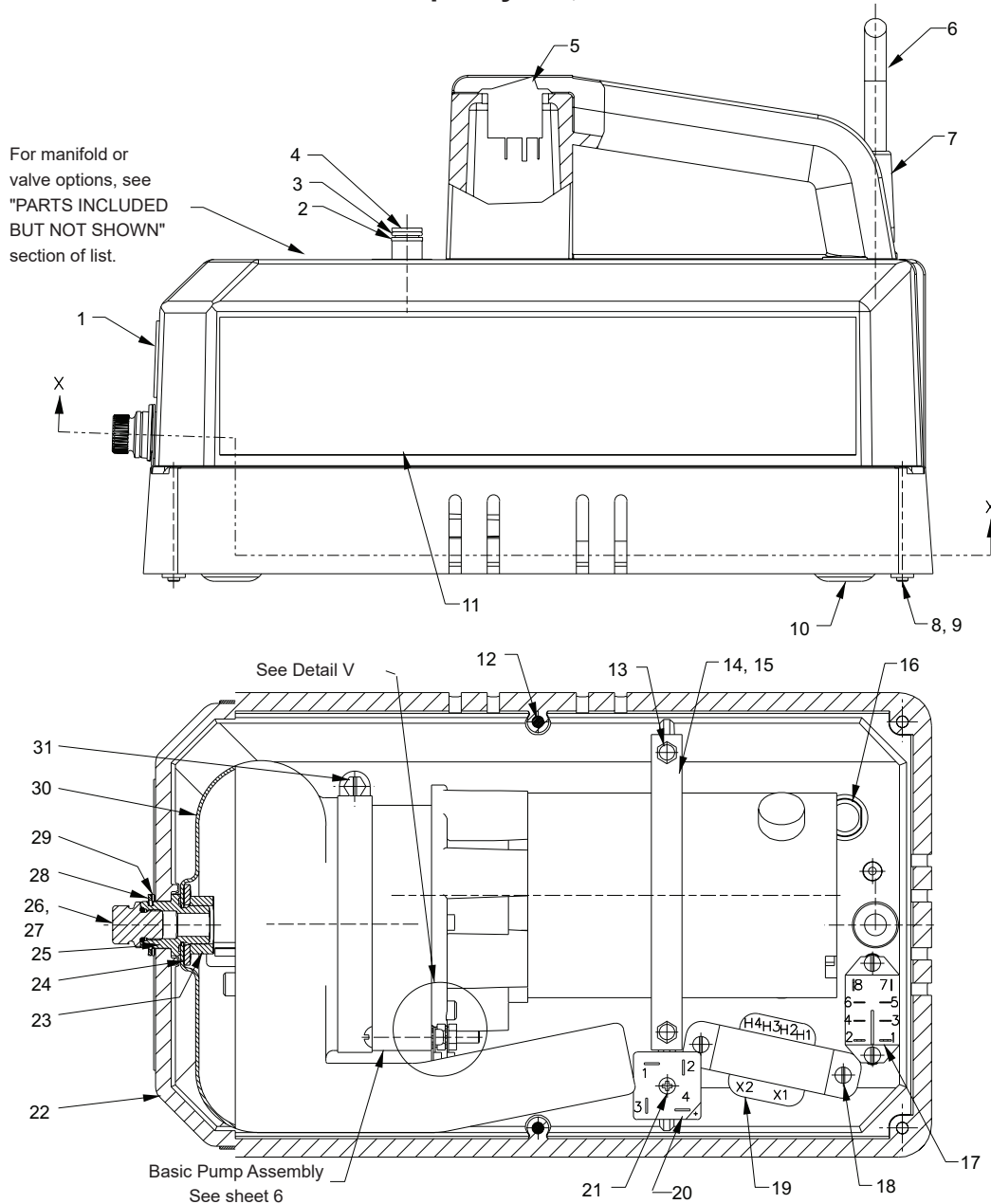


MODEL B (Model C for PE102A-GRC) ELECTRIC HYDRAULIC PUMP Max. Capacity: 10,000 PSI



Parts List

ITEM	PART NO.	QTY	DESCRIPTION
1	251072	1	Warning & Fill Instructions Decal
2	*11863	2	Backup Washer (1/2 X 3/8 X 1/16)
3	*10268	2	O-ring (1/2 X 3/8 X 1/16; For PE102, PE102-220, PE104, PE104-220, PR102, & PR104)
	† 17716	2	O-ring (1/2 X 3/8 X 1/16; For PE102, PE102-220, PE104, PE104-220, PR102, & PR104)
	*10268	3	O-ring (1/2 X 3/8 X 1/16; For PE102A, PE102A-220, & PR102A)
	† 17716	3	O-ring (1/2 X 3/8 X 1/16; For PE102A, PE102A-220, & PR102A)
4	202505	1	Bushing (For PE102, PE102A, PE102-220, PE102A-220, PR102, & PR104)
5	251051	1	Rocker Switch
6	24733	1	Cord Set (For PE Series only)
	250894	1	Electrical Plug (For PR Series only)
	12293	1.5 ft.	Electrical Cable (For PR Series only)
7	251048	1	Bushing
8	12515	4	Machine Screw (10-24 UNC X 1 3/4 Lg.)
9	207405	4	Locknut (10-24 UNC)
10	420607	1	Base Plate
11	350672	2	Trade Name Decal (For PR Series)
	351035	2	Trade Name Decal (For PE Series)
	252102	2	Trade Name Decal (For LUKAS)
12	14456	2	Screw (#10-24 X 1/2 Lg.; Place ground wire terminal between cover & housing)
13	211060	2	Screw (#9-15 X 1" Lg.)
14	251039	.5 ft.	Motor Mounting Strap
15	251041	3"	Channel Rubber
16	251045	1	"D" Bushing Plug
17	251046	1	Relay (For PE Series only)
18	15468	4	Screw (#6-32 X 3/8 Lg.)
19	251049	1	Transformer (For PE Series only)
20	251050	1	Rectifier (For PE Series only)
21	251073	1	Screw (6-32 X 3/4 Lg.; For PE Series only)
22	64363	1	Plastic Housing
	64616	1	Plastic Housing (For PE102AR & PE102AR-220)
23	10394	1	Hex Nut (5/8-18 UNF)

Parts List continued

ITEM	PART NO.	QTY	DESCRIPTION
24	13324	1	Washer (For 5/8 Bolt)
25	350583	1	Filler Adapter
26	*13755	1	O-ring (.558 X .414 X .072)
	† 250135	1	O-ring (.558 X .414 X .072)
27	251280	1	O-ring Boss Plug
28	251043	1	Retaining Ring
29	201373	1	Retainer Washer
30	420643	1	Bladder
	† 420736	1	Bladder
31	2001397	1	Bladder Spacer

PARTS INCLUDED BUT NOT SHOWN		
PART NO.	QTY	DESCRIPTION
† 250238	1	Decal (EPR Seals)
350646	1	Cord Set (For PR Series only)
10855	2	Screw (Torque to 160/180 in. lbs. Tighten the screw on the right-hand side facing the pump first.)
*10268	1	O-ring (1/2 X 3/8 X 1/16; For PE102A, PE102A-220, & PR102A)
† 17716	1	O-ring (1/2 X 3/8 X 1/16; For PE102A, PE102A-220, & PR102A)
251253	1	Remote Switch (For PR102A-DEUT)
251635	1	Remote Switch (For PE102A-EMP)
251048	1	Bushing (For units equipped with a remote switch)
250176	1	Fuse (For PE102, PE102A, & PE102A-220)
206962	1	Fuse (For PE102-220, PE102A-220, & PE104-220)
251561	1	Receptacle (For PE102AR & PE102AR-220)
14456	2	Screws (#10-24 X 1/2 Lg.; For PE102AR & PE102AR-220)

Parts List continued

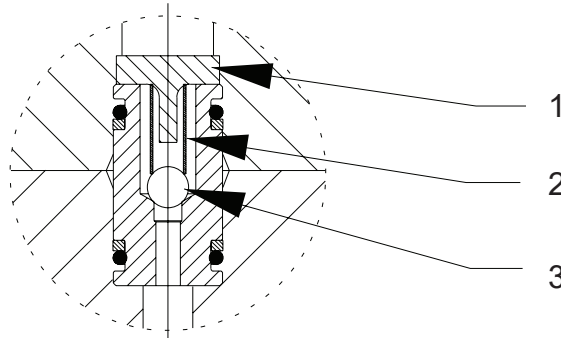
OTHER OPTIONS AND ACCESSORIES		
PART NO.	QTY	DESCRIPTION
9562	1	Manifold (For PE102A, PE102A-220, PR102A, PE102A-EMP, & PR102A-DEUT; See Form No. 101344)
9561	1	2 Position, 2-Way Valve (For PE102, PE102-220, PE102A-EMP, PR102A-DEUT, & PR102; See Form No. 101327)
9563	1	3 Position, 4-Way Valve (For PE104, PE104-220, & PR104; See Form No. 101326)
9560	1	Pressure Regulator (For PE102-ANCHOR; See Form No. 101328)
10461	1	Foot Switch Assembly
25017	1	Hand Switch Assembly
9625	1	Pressure Switch (See Form No. 100589)
BP12V	1	12 Volt Battery Pack (Includes sealed lead acid battery, 115V charger, battery-to-pump 4 ft. cord set, carrying case and shoulder strap.)
VC220	1	Voltage Converter w/ Plug Adapters (Converts 220V 50/60 cycle to 110V 50/60 cycle)
RB12V	1	Replacement Battery only
RC12V	1	Replacement Battery 4 Ft. Cord Set (For BP12V)
351240	1	Manifold (For PE102-28-DC & PE102-28-220DC)
351845	1	Electrical Plug (For LUKAS)

Part numbers marked with an asterisk (*) are contained in Repair Kit No. 300651.
 Part numbers marked with a dagger (†) are contained in EPR Seal Kit No. 3000008.

NOTE: For LUKAS brand pumps, if additional parts (that are not shown here) need replacing, contact your nearest LUKAS service center.

Parts List

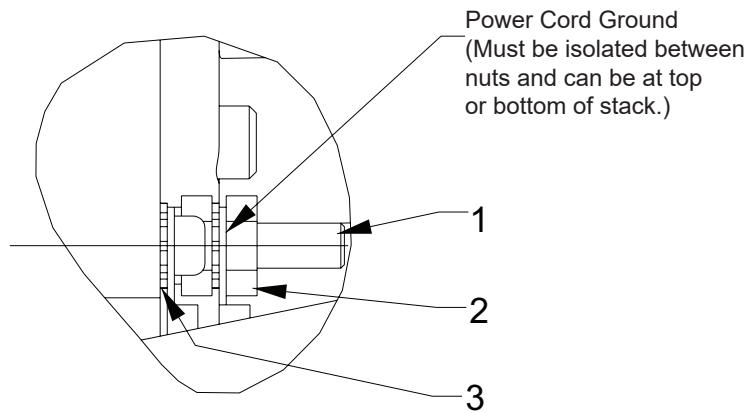
DETAIL FOR 4-WAY VALVE OUTLET CHECK (FOR PE104, PE104-110-3000, PE104-110-5000, PE104-220, & PR104)



ITEM	PART NO.	QTY	DESCRIPTION
1	209795	1	Outlet Ball Stop
2	*10445	1	Compression Spring (5/32 O.D. X 3/4 Lg.)
3	*12223	1	Ball (3/16 Dia.)

Part numbers marked with an asterisk (*) are contained in Repair Kit No. 3000008.

DETAIL V

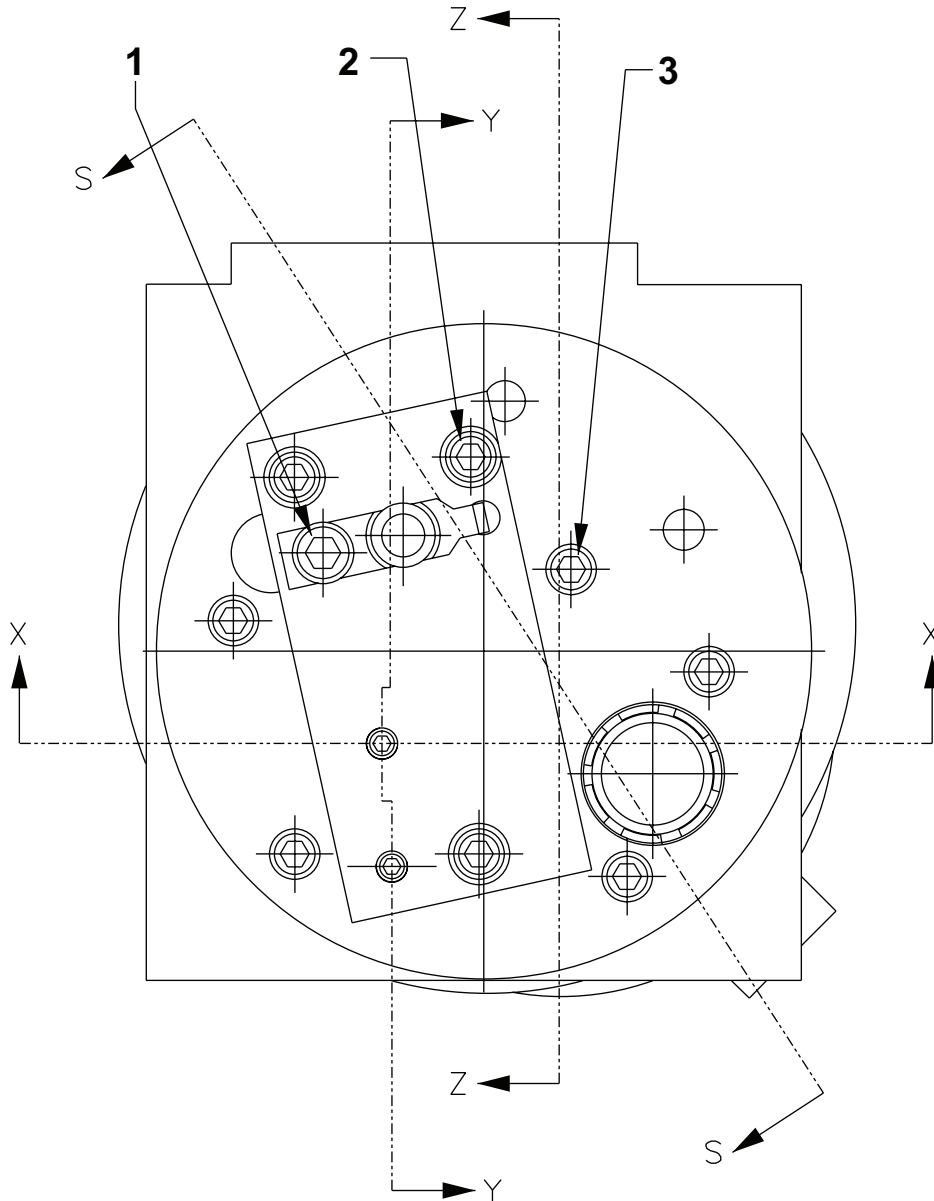


Grd

Note: Serrated lockwasher must be adjacent to pump body.

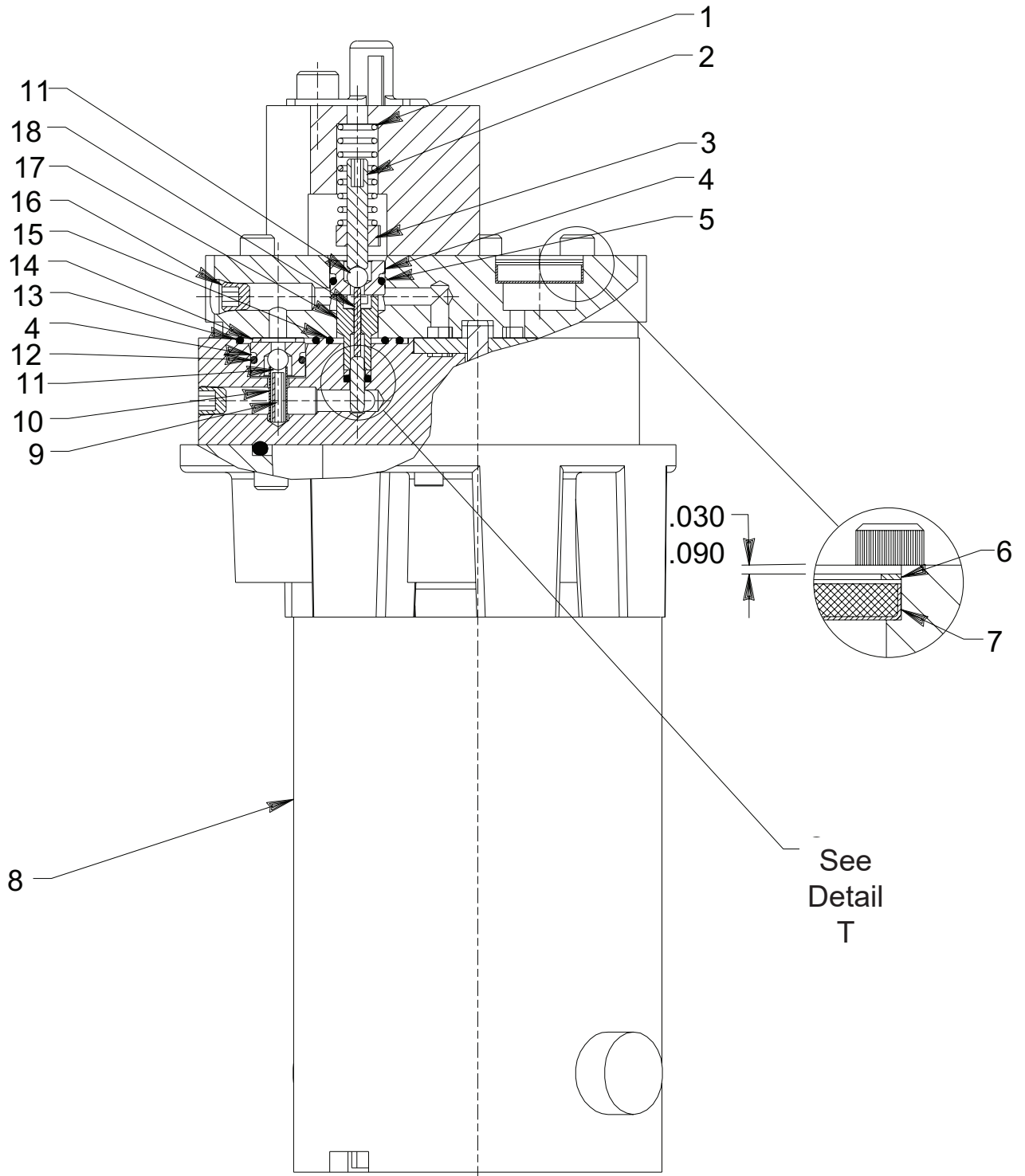
ITEM	PART NO.	QTY	DESCRIPTION
1	12515	1	Machine Screw (#10-24 UNC X 3/4 Lg.)
2	10197	2	Nut (#10-24 UNC)
3	11108	2	Lockwasher (#10 External Tooth)

BASIC PUMP ASSEMBLY



ITEM	PART NO.	QTY	DESCRIPTION
1	10002	1	Screw (1/4-20 UNC X 3/8 Lg.; Torque to 80/100 in. lbs.)
2	14423	3	Screw (#10-24 X 2" Lg.; Torque to 60/80 in. lbs.)
3	14426	5	Screw (#10-24 UNC X 1" Lg.; Torque to 60/80 in. lbs.)

SECTION X-X



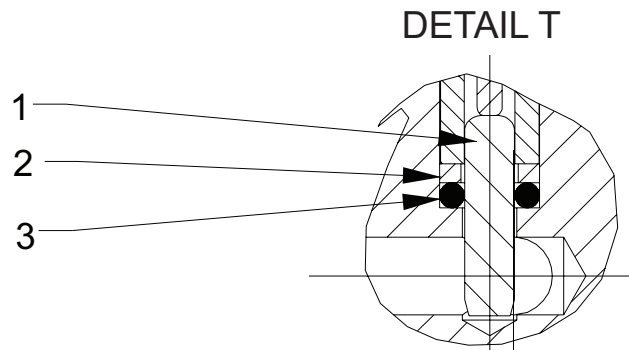
Parts List

ITEM	PART NO.	QTY	DESCRIPTION
1	*14484	1	Compression Spring (3/8 O.D. X 1" Lg.)
2	*251067	1	Set Screw (#10-24 UNC X 1" Lg. Set unloading valve to 400/500 PSI)
3	*207405	1	Locknut (10-24 UNC)
4	*251065	1	Replaceable Seat
5	*10268	1	O-ring (1/2 X 3/8 X 1/16)
	† 17716	1	O-ring (1/2 X 3/8 X 1/16)
7	*214578	1	Filter
8	421297-110-G	1	Motor (For PE102, PE102A, & PE104; For replacement brush assembly, order [2] #251114-110)
	421297-220-G	1	Motor (For PE102-220, PE102A-220, & PE104-220; For replacement brush assembly, order [2] #251114-220)
	421297-12-G	1	Motor (For PR102, PR102A, & PR104; For replacement brush assembly, order [2] #251114-220)
9	11512	1	Roll Pin
10	*15141	1	Compression Spring (3/16 O.D. X 5/8 Lg.)
11	*12223	2	Ball (3/16 Dia.)
12	*13943	1	O-ring (1/2 X 3/8 X 1/16)
	† 17716	1	O-ring (1/2 X 3/8 X 1/16)
13	*10302	1	O-ring (3/4 X 5/8 X 1/16)
	† 12400	1	O-ring (3/4 X 5/8 X 1/16)
14	*11031	1	Copper Washer (15/32 X 5/16 X 1/32)
15	*12098	1	O-ring (9/16 X 7/16 X 1/16)
	† 250136	1	O-ring (9/16 X 7/16 X 1/16)
16	15130	3	Plug (1/16 NPTF)
17	251068	1	Guide
18	13937	1	Dowel Pin

Part numbers marked with an asterisk (*) are contained in Repair Kit No. 300651.
 Part numbers marked with a dagger (†) are contained in EPR Seal Kit No. 3000008.

Parts List

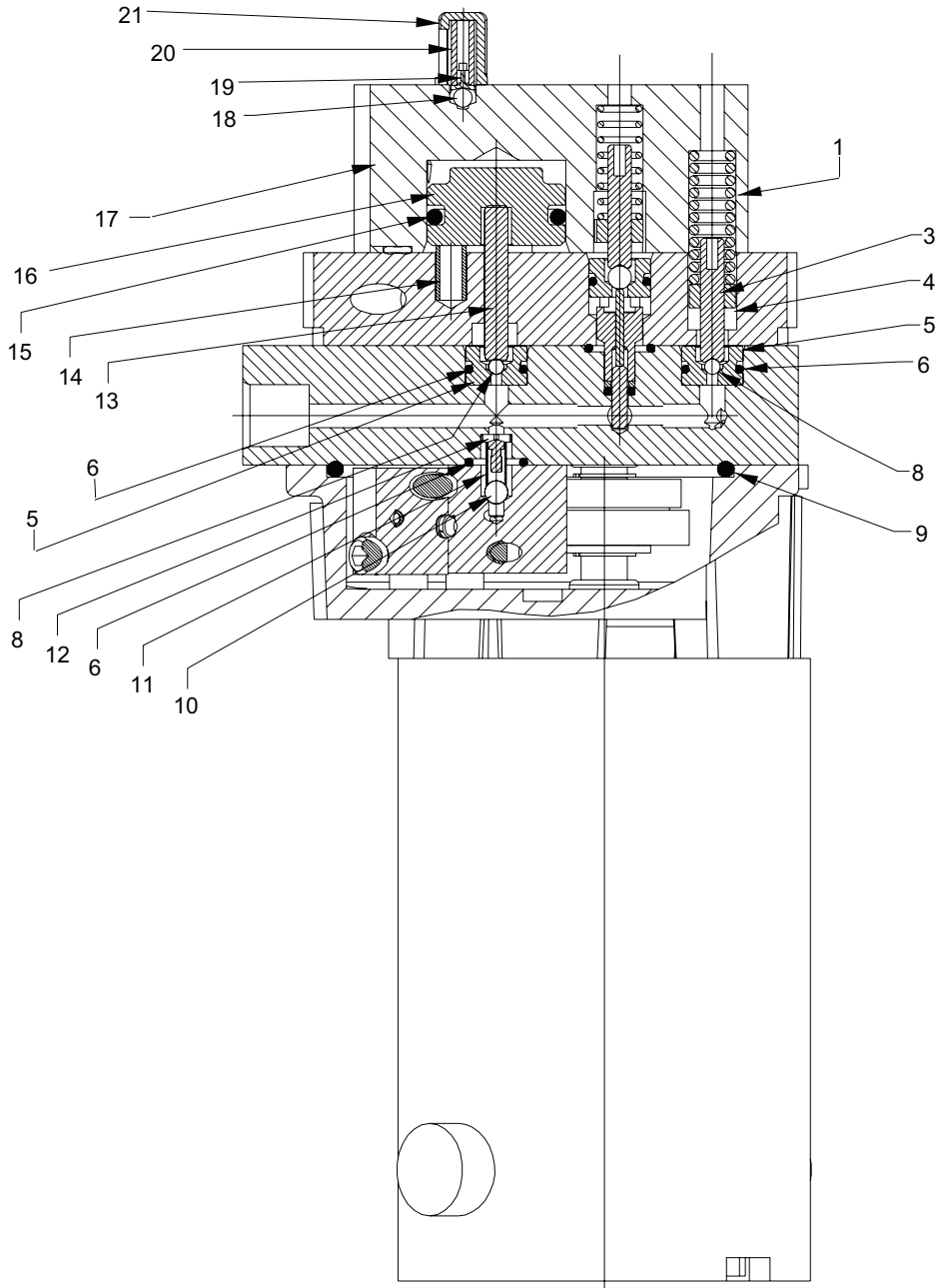
DETAIL T



ITEM	PART NO.	QTY	DESCRIPTION
1	10796	1	Dowel Pin
2	*214992	1	Backup Washer (15/64 X 1/8 X 3/64)
3	*17797	1	O-ring (1/4 X 1/8 X 3/64)
	† 17713	1	O-ring (1/4 X 1/8 X 3/64)

Part numbers marked with an asterisk (*) are contained in Repair Kit No. 300651.
Part numbers marked with a dagger (†) are contained in EPR Seal Kit No. 3000008.

SECTION Y-Y



Parts List

ITEM	PART NO.	QTY	DESCRIPTION
1	*16724	1	Compression Spring (3/8 O.D. X 1-1/4 Lg.)
3	*251067	1	Set Screw (#10-24 UNC X 1" Lg.; Set High Pressure Relief Valve to 10,100/10,700 PSI [2,800/3,200 PSI for PE102-28-DC & PE102-28-220DC], [3,100/3,500 PSI for PE104-110-3000], [5,100/5,500 PSI for PE104-110-5000])
4	*207405	1	Locknut (10-24 UNC)
5	*251064	2	Replaceable Seat
6	*13943	3	O-ring (1/2 X 3/8 X 1/16)
	† 17716	3	O-ring (1/2 X 3/8 X 1/16)
8	*10418	2	Steel Ball (1/8 Dia.)
9	*10297	1	O-ring (3-1/2 X 3-1/4 X 1/8)
	† 13454	1	O-ring (3-1/2 X 3-1/4 X 1/8)
10	*12223	1	Ball (3/16 Dia.)
11	*10445	1	Compression Spring (5/32 O.D. X 3/4 Lg.)
12	24549	1	Ball Guide
13	*251083	1	Dowel Pin
14	*11024	3	Compression Spring (1/4 O.D. X 5/8 Lg.)
15	*19029	1	O-ring (1-1/8 X 15/16 X 1/8)
	† 251288	1	O-ring (1-1/8 X 15/16 X 1/8)
16	350619	1	Eccentric
17	420616	1	Automatic Valve Body
18	*10374	1	Steel Ball (7/32 Dia.)
19	200796	1	Adapter
20	*15691	1	Compression Spring (1/4 O.D. X 5/8 Lg.)
21	350577	1	Spring Retainer

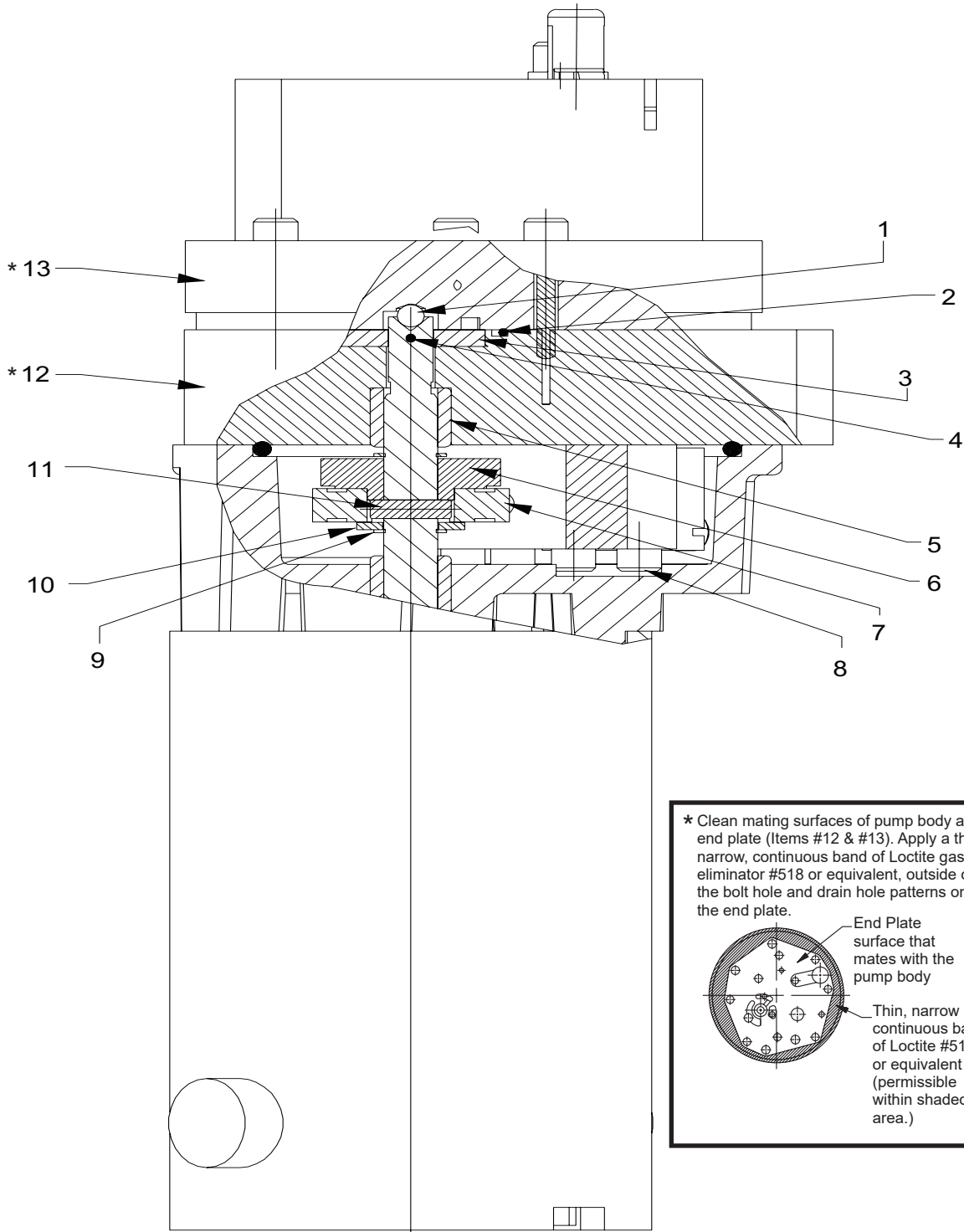
Part numbers marked with an asterisk (*) are contained in Repair Kit No. 300651.
Part numbers marked with a dagger (†) are contained in EPR Seal Kit No. 3000008.

Refer to any operating instructions included with this product for detailed information about operation, testing, disassembly, reassembly, and preventive maintenance.

Items found in this parts list have been carefully tested and selected. **Therefore: Use only genuine replacement parts!**

Additional questions can be directed to one of our Technical Services Departments.

SECTION Z-Z

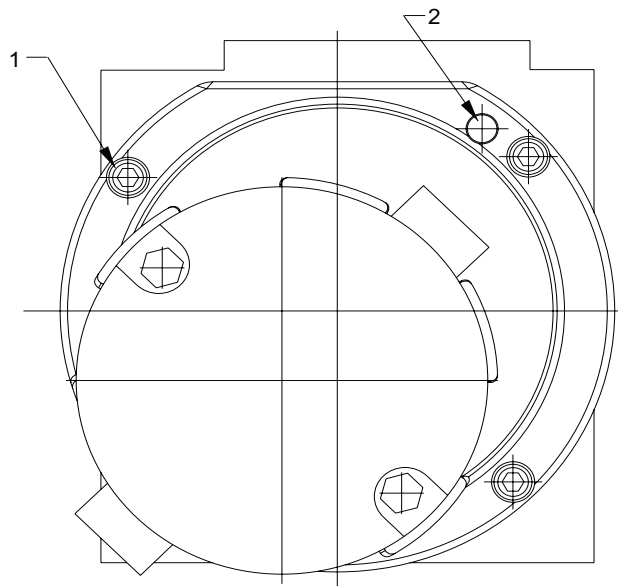


Parts List

ITEM	PART NO.	QTY	DESCRIPTION
1	*12223	1	Ball (3/16 Dia.)
2	*251063	1	O-ring (1-7/16 X 1-5/16 X 1/16)
	† 251289	1	O-ring (1-7/16 X 1-5/16 X 1/16)
3	420615	1	Gerotor Set
4	251061	1	Dowel Pin
5	251129	1	Needle Bearing
6	350606	1	Eccentric
7	15695	1	Ball Bearing
8	250491	4	Screw (10-24 UNC X 1-1/4 Lg.; Torque to 60/80 in. lbs.)
9	251069	2	Retaining Ring (Internal)
10	252169	1	Washer (25/64 X 3/4 X 1/16)
11	251117	1	Spring Pin
12	64346	1	Pump Body
13	64347	1	End Plate

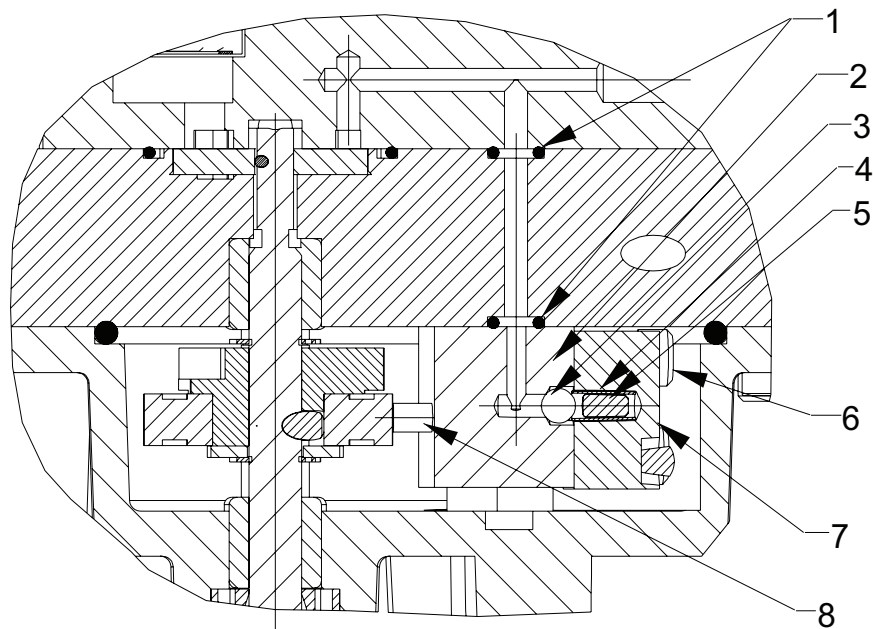
Part numbers marked with an asterisk (*) are contained in Repair Kit No. 300651.
 Part numbers marked with a dagger (†) are contained in EPR Seal Kit No. 3000008.

MOTOR END VIEW



ITEM	PART NO.	QTY	DESCRIPTION
1	11434	3	Screw (10-24 UNC X 1/2 Lg.; Torque to 60/80 in. lbs.)
2	17567	2	Pin

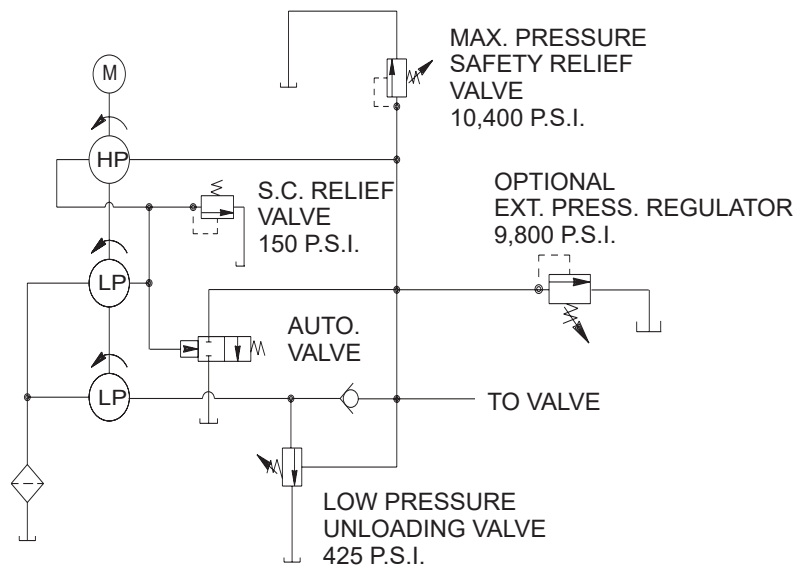
SECTION S-S



ITEM	PART NO.	QTY	DESCRIPTION
1	*10265	3	O-ring (5/16 X 3/16 X 1/16)
	† 17714	3	O-ring (5/16 X 3/16 X 1/16)
2	420617	1	High Pressure Piston Body
3	*12223	1	Ball (3/16 Dia.)
4	*10445	1	Compression Spring (5/32 O.D. X 3/4 Lg.)
5	251040	1	Dowel Pin
6	12102	3	Screw (#10-24 UNC X 3/4 Lg.; Torque to 60/80 in. lbs.)
7	350620	1	High Pressure Cap Body
8	251062	1	Piston (Position with chamfer towards bearing)

Part numbers marked with an asterisk (*) are contained in Repair Kit No. 300651.
 Part numbers marked with a dagger (†) are contained in EPR Seal Kit No. 3000008.

HYDRAULIC SCHEMATIC



ELECTRICAL INFORMATION

Note: All electrical information and schematics for these units can be found in Form No. 102808 Operating Instructions.