

SPX Corporation  
5885 11th Street  
Rockford, IL 61109-3699 USA

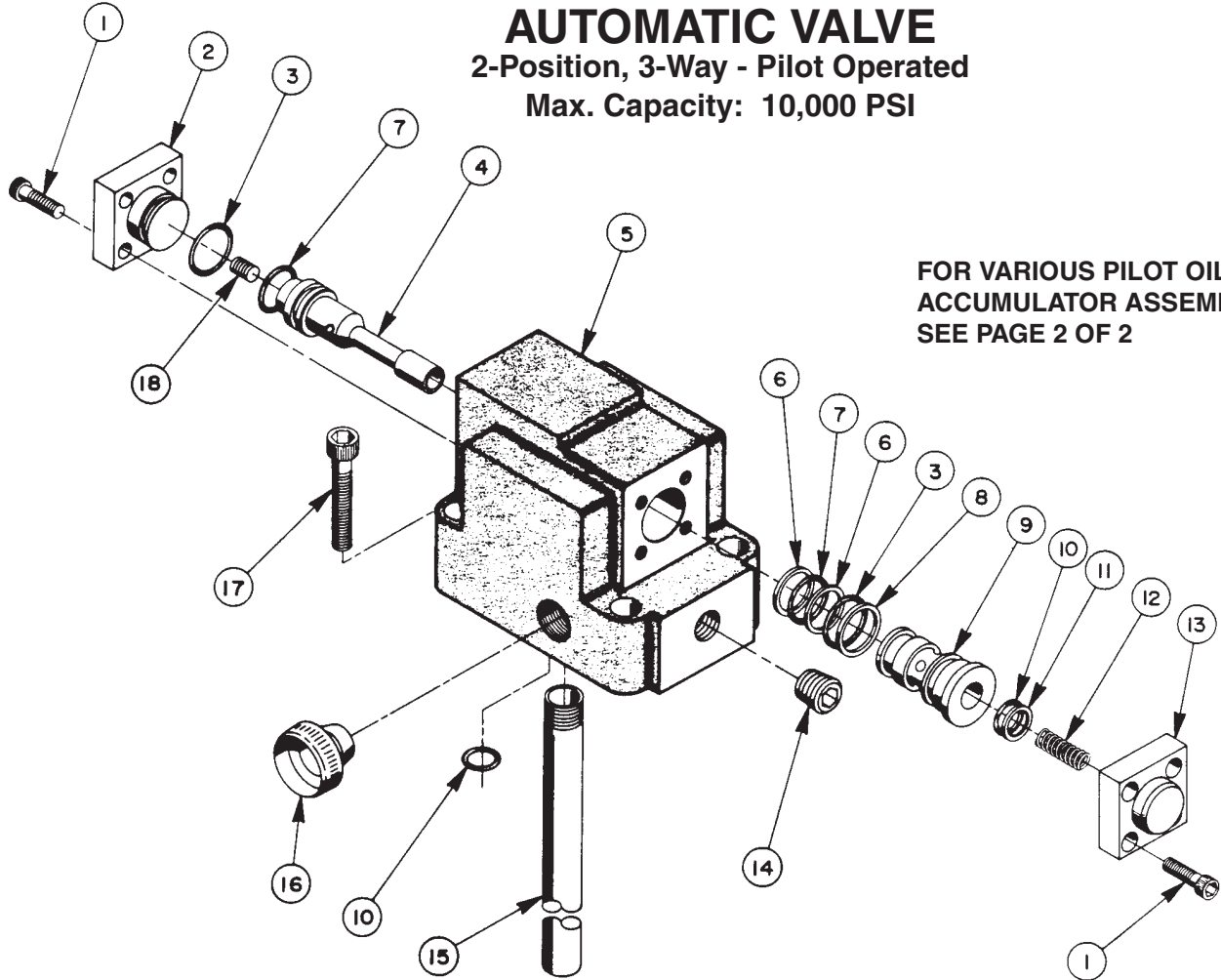
Internet Address:  
<http://www.powerteam.com>  
Tech. Services: (800) 477-8326  
Fax: (800) 765-8326  
Order Entry: (800) 541-1418  
Fax: (800) 288-7031

SPX Corporation  
655 Eisenhower Drive  
Owatonna, MN 55060-0995 USA  
Phone: (507) 455-7000  
Tech. Services: (800) 533-6127  
Fax: (800) 955-8329  
Order Entry: (507) 455-1480  
Fax: (800) 283-8665  
International Sales: (507) 455-7223  
Fax: (507) 455-7746

Parts List for:

9585  
9610  
31059  
V23A  
Y-31059

**AUTOMATIC VALVE**  
2-Position, 3-Way - Pilot Operated  
Max. Capacity: 10,000 PSI



FOR VARIOUS PILOT OIL LINE/  
ACCUMULATOR ASSEMBLIES  
SEE PAGE 2 OF 2

Item No.	Part No.	No. Req'd	Description
1	11434	8	Cap Screw (#10-24 UNC X 1/2 Lg.)
2	22265	1	End Cap
3	*10302	2	O-Ring (3/4 x 5/8 x 1/16, -016)
4	308674	1	Balance Poppet
5	40332	1	Valve Body
6	*12391	2	Backup Washer (11/16 x 9/16 x .048, -015)
7	*11284	2	O-ring (11/16 x 9/16 x 1/16, -015)
8	*12392	1	Backup Washer (3/4 x 5/8 x 1/16, -016)
9	22068	1	Bushing
10	*10268	2	O-ring (1/2 x 3/8 x 1/16, -012)

Item No.	Part No.	No. Req'd	Description
11	*11863	1	Backup Washer (1/2 x 3/8 x 1/16, -012)
12	*11454	1	Compression Spring (1/4 O.D. x 1" Lg.)
13	22264	1	End Cap
14	10479	1	Pipe Plug (1/4 NPTF)
15	200609	1	Drain Line
16	11036	1	Aluminum Cap
17	10020	4	Cap Screw (1/4-20 UNC x 1-1/4 Lg.)
18	214990	1	Restrictor Screw

**PARTS INCLUDED BUT NOT SHOWN**

209077	1	Decal (For 9585)
209611	1	Decal (For 9610)

Part numbers marked with an asterisk (\*) are contained in Repair Kit No. 300173.

Sheet No. 1 of 2

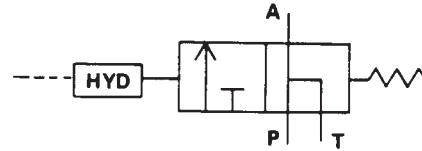
Rev. 1 Date: 14 Mar 2003

## SPECIFICATIONS

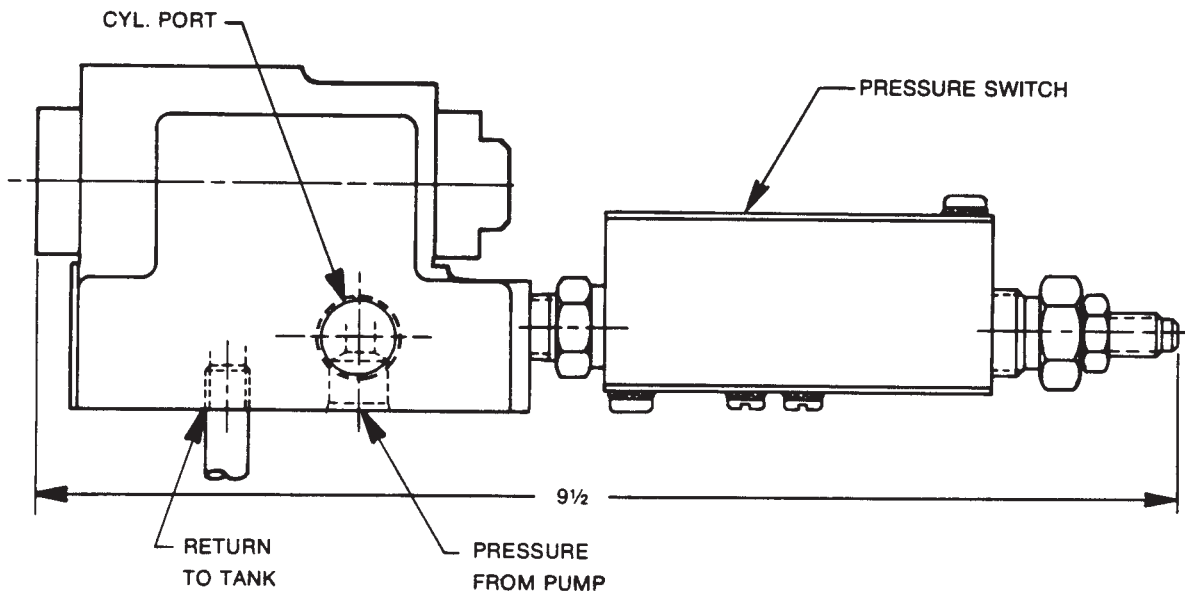
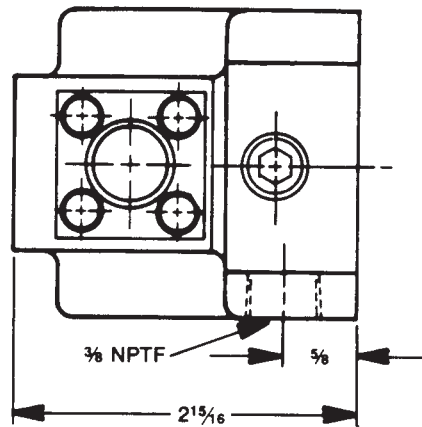
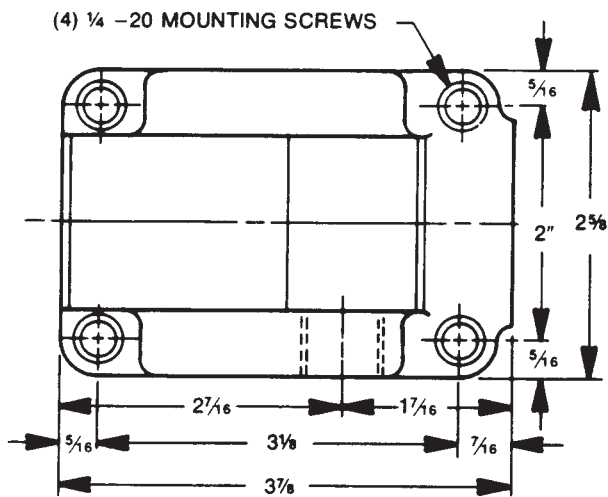
### OPERATION

This is a sub-plate mounted, pilot-operated, 3-way automatic valve. When the power unit is started, pilot oil automatically closes the valve and oil is directed to a single-acting cylinder. When the power unit is stopped, the valve automatically opens and oil returns from the cylinder to reservoir. A pressure switch and /or gauge can be attached if required.

PORT SIZES: 3/8" NPTF  
 MAXIMUM PRESSURE: 10,000 PSI  
 MAX. RECOMMENDED FLOW: 5 GPM



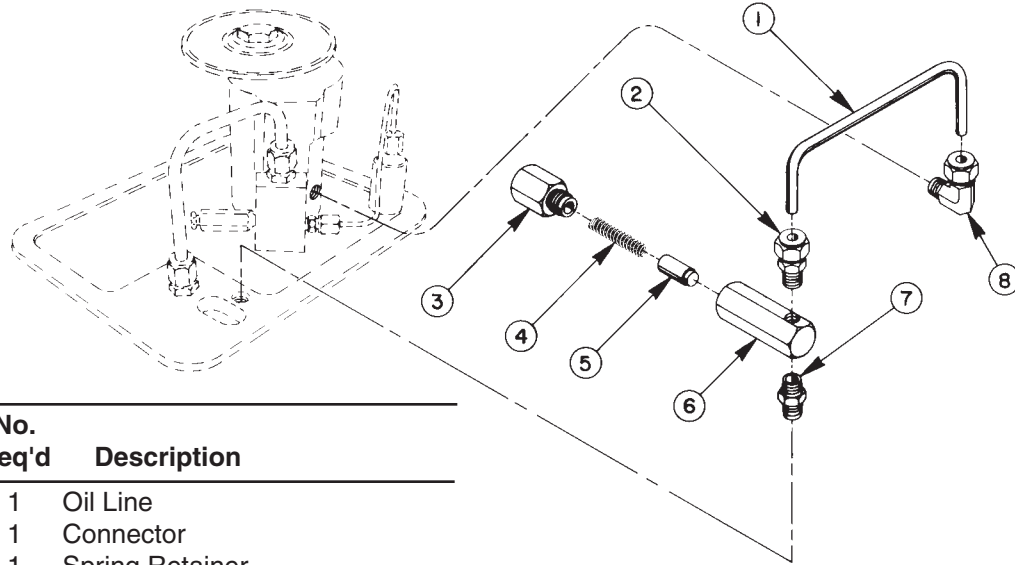
HYDRAULIC SCHEMATIC



## PILOT OIL LINE/ ACCUMULATOR ASSEMBLIES

### STANDARD

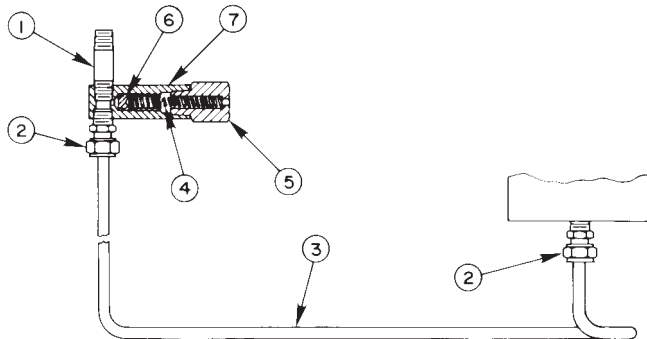
(FOR USE WITH Y26, Y60, Y70, PE55, PE90 & PE120 SERIES PUMPS)



Item No.	Part No.	No. Req'd	Description
1	22746	1	Oil Line
2	11173	1	Connector
3	202121	1	Spring Retainer (Torque to 50/70 in. lbs.)
4	16499	1	Compression Spring
5	21945	1	Plunger
6	21944	1	Cylinder body
7	11421	1	Pipe Nipple
8	11278	1	Connector
	22747	1	Pipe Oil Line/ Accumulator Ass'y (Consists of items 1 thru 8)
	21943	1	Accumulator Ass'y (Consists of items 3, 4, 5, & 6)

**NOTE:** 22747 is the standard Pilot Oil Line/Accumulator Assembly that is supplied with the valves. For various Pilot Oil Line/Accumulator Assemblies for use with other pump units, see following illustrations.

### OPTIONAL (FOR USE WITH PE200 & PE400 SERIES PUMPS)

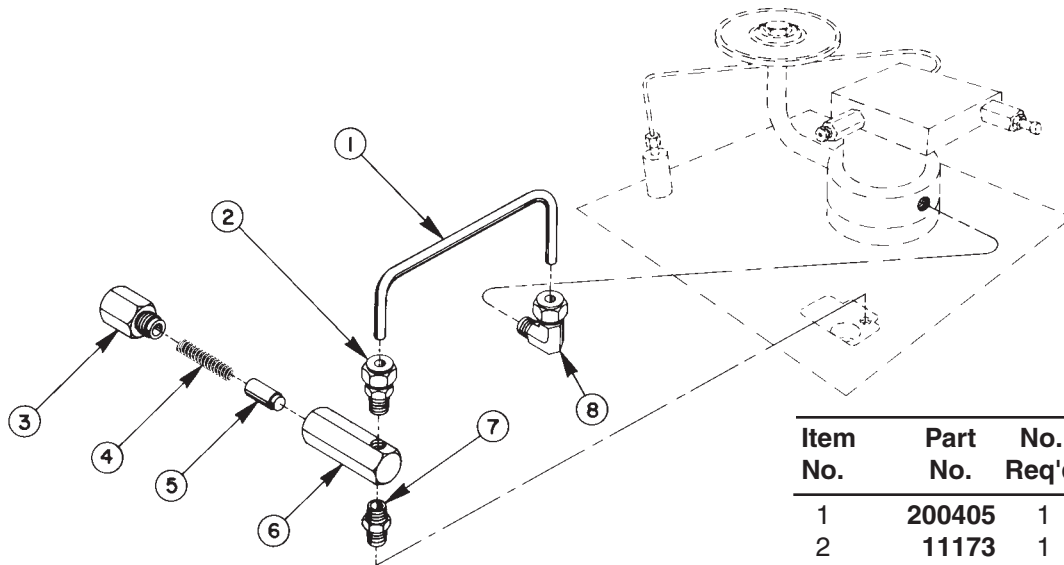


Item No.	Part No.	No. Req'd	Description
1	11530	1	Nipple
2	15061	2	Connector
3	44303	1	Oil Line
4	16499	1	Compression Spring
5	202121	1	Spring Retainer (Torque to 50/70 in. lbs.)
6	21945	1	Plunger
7	21944	1	Cylinder Body
	21943	1	Accumulator Ass'y (Consists of items 4, 5, 6, & 7)

**NOTE:** The above parts are not included with this valve but are an option.

## PILOT OIL LINE/ACCUMULATOR ASSEMBLIES CONT.

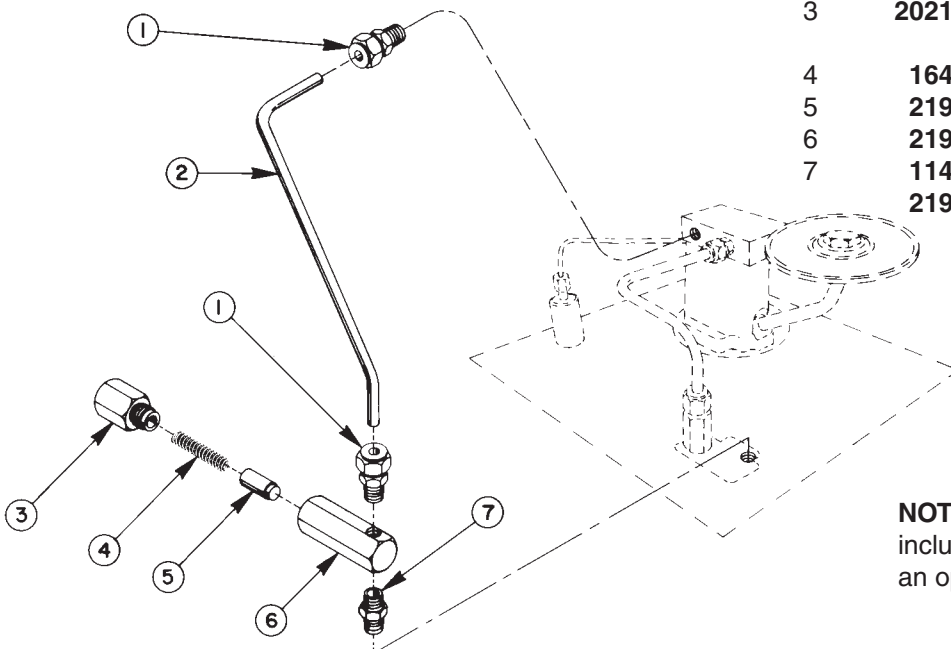
### OPTIONAL (FOR USE WITH PQ60 & PQ120 SERIES PUMPS)



Item No.	Part No.	No. Req'd	Description
1	200405	1	Oil Line
2	11173	1	Connector
3	202121	1	Spring Retainer (Torque to 50/70 in. lbs.)
4	16499	1	Compression Spring
5	21945	1	Plunger
6	21944	1	Cylinder Body
7	11421	1	Pipe Nipple
8	11278	1	Connector
	21943	1	Accumulator Ass'y

### OPTIONAL (FOR USE WITH PQ20 SERIES PUMPS)

Item No.	Part No.	No. Req'd	Description
1	11173	2	Connector
2	36754	1	Oil Line
3	202121	1	Spring Retainer (Torque to 50/70 in. lbs.)
4	16499	1	Compression Spring
5	21945	1	Plunger
6	21944	1	Cylinder Body
7	11421	1	Pipe Nipple
	21943	1	Accumulator Ass'y (Consists of items 3, 4, 5, & 6)



**NOTE:** The above parts are not included with this valve but are an option.