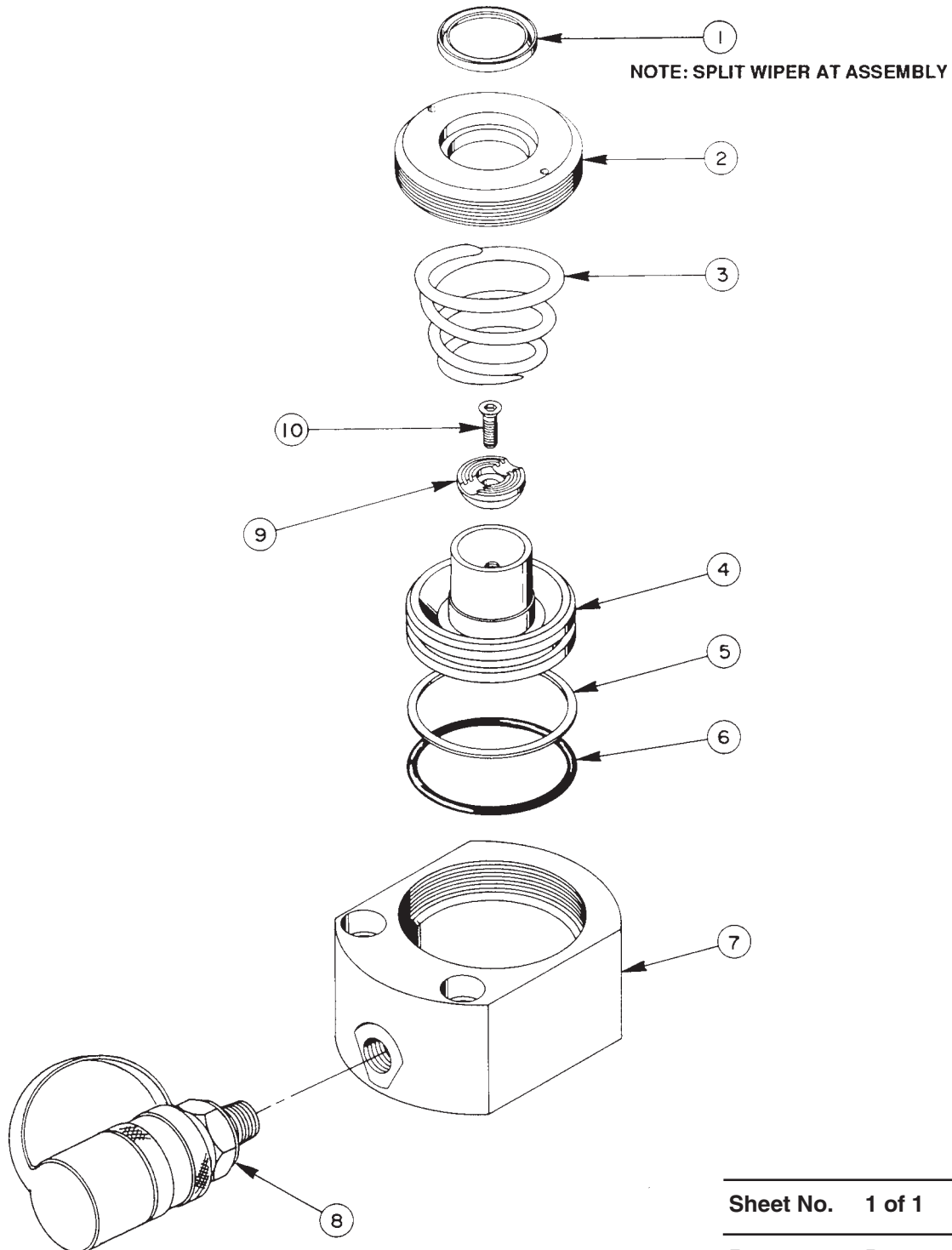


**SINGLE-ACTING SPRING RETURN
HYDRAULIC CYLINDER**
Max. Capacity: 153.4 Tons at 10,000 PSI



Item No.	Part No.	No. Req'd	Description
1	*212232	1	Rod Wiper (Split wiper at assembly)
2	52642	1	Retainer (Torque to 500/525 in. lbs.)
3	306444	1	Compression Spring
4	53400	1	Piston
5	*19298	1	Backup Washer
6	*13425	1	O-ring
7	52648	1	Cylinder Body
8	9796	1	Cylinder Half Coupler w/Dust Cap
9	309173	1	Piston Swivel Cap
10	215777	1	Hex. Soc. Button Hd. Cap Screw (1/4-20 UNC X 1-1/4 Lg.; See Note Below)

PARTS INCLUDED BUT NOT SHOWN

*203908	1	Warning Decal
351917	1	Trade Name Decal

Part numbers marked with an asterisk (*) are contained in Repair Kit No. 300461.

NOTE:

1. Apply Loctite to screw (Item 10).
2. Insert screw into cap (Item 9) and tighten until snug.
3. Back off screw until cap is allowed to swivel 5° in any direction.

Refer to any operating instructions included with this product for detailed information about operation, testing, disassembly, reassembly, and preventive maintenance.

Items found in this parts list have been carefully tested and selected. **Therefore: Use only genuine Power Team replacement parts!**

Additional questions can be directed to our Technical Services Department.

Note: Shaded areas reflect last revision(s) made to this form.